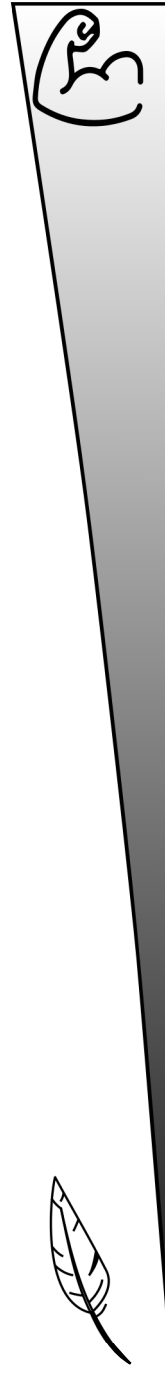
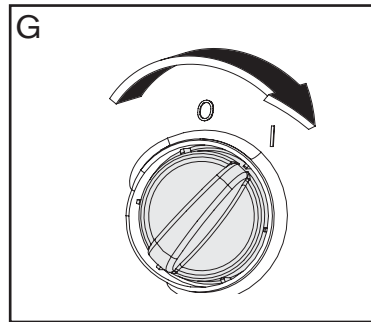
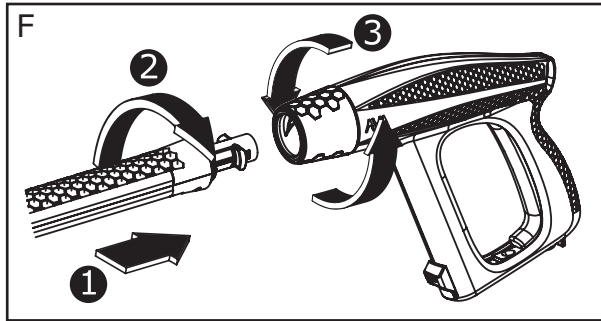
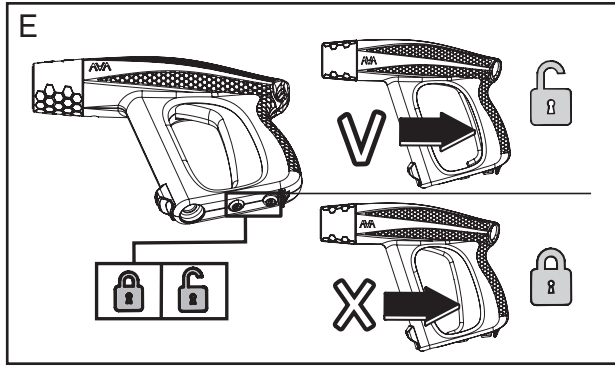
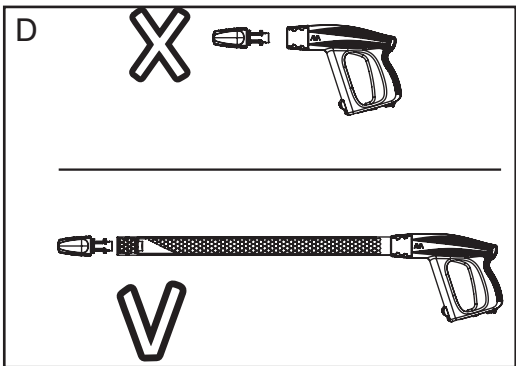
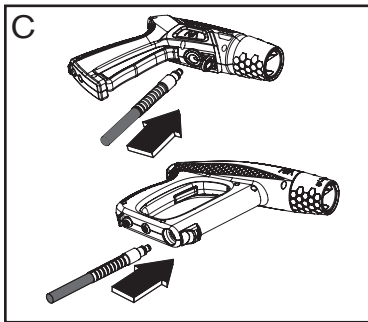
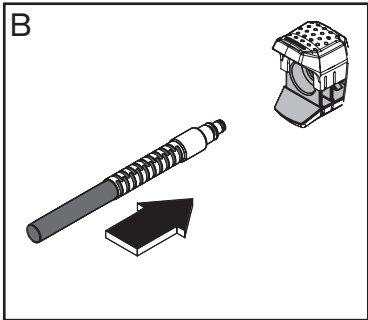
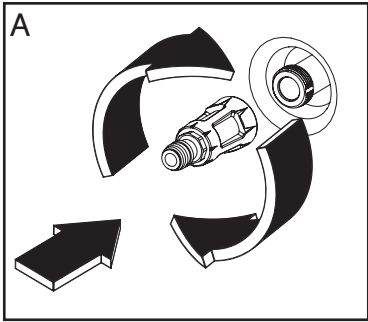


CLEN[®]
DESIGN BY
AVA





| | | | | | |
|-----------|--|--|--|--|--|
| 0° | | | | | |
| Turbo | | | | | |
| 15° | | | | | |
| Vario 20° | | | | | |
| 25° | | | | | |
| 40° | | | | | |
| 60° | | | | | |
| Vario 60° | | | | | |

| | |
|-------------------|-----------|
| English | 4 |
| Deutsch | 9 |
| Norsk | 15 |
| Dansk | 20 |
| Svenska | 25 |
| Suomi | 30 |
| Íslenska | 35 |
| Español | 40 |
| Italiano | 46 |
| Português | 52 |
| Polski | 58 |
| Nederlands | 63 |
| Français | 69 |
| Английский | 75 |

English

Please read these operating and safety instructions along with any other disclosed documents prior to initial use of the device. Keep all documents for future reference.

Introduction

Congratulations on your new pressure washer! This appliance is a powerful tool and needs to be handled with care.

AVA uses clever engineering to improve cleaning efficiency, and you might experience a higher level of efficiency than on comparably specified appliances you have tried previously. Always perform a cleaning test on an area that is less visible and familiarize yourself with the included accessories.

Your AVA appliance always includes a high-pressure hose, high pressure gun, a lance, a nozzle and a purpose-built inlet filter with a garden hose connector. Never use a regular garden hose connector without filter directly on the machine. If you have purchased an expanded bundle, there might be additional accessories included. The contents of the delivery scope are described in a separate document.

Explanation of Symbols



WARNING! Do not direct the jet at any persons, animals or electrical equipment.



WARNING! Read safeguards, warnings and safety tips carefully.



Machine not suitable for connection to potable water mains without a back-flow valve, unless the water pressure exceeds 1 bar.



Read the manual



Double insulation

Safeguards, Warnings and Safety Tips



To avoid personal injury and/or damage to property and to maximize your power washing experience, carefully follow all the safety tips, instructions, warnings and

safeguards and familiarize yourself with all the controls. Ensure that you know how to quickly bleed off the pressure from all parts of your power washer, and how to turn the power washer off.

- Always wear eye protection to prevent injury to the eyes when operating the power washer.
- This power washer conforms to CE and other safety and consumer standards. Do not modify or rebuild any part of your power washer.
- Do not use your power washer when under the influence of alcohol or drugs. Use this power tool carefully and only when you are alert.
- Watch your balance and footing while using your power washer. Surfaces become slippery when wet and are extra slippery when using a detergent or cleaner.
- Never operate the power washer barefoot, wearing sandals, or open-toed shoes. Be sure to wear protective, fully covered shoes or boots.
- When using the power washer near children make sure they are closely supervised by an adult to avoid injury. Never let a child use the power washer.
- Keep fingers, hands, feet and parts of your body clear of the high-pressure water jet. The powerful spray can cause blindness or tear holes in the skin. Pay attention around all glass surfaces, as the jet could actually break a window if you are too close when you pull the trigger on the spray gun.
- To avoid mishaps or injury, always use the trigger safety lock when not using the power washer even if the spraying stops for just a moment.
- Always test the surface to ensure that you do not damage it with the high pressure.
- Point the spray gun in a safe direction when beginning a power washing session.
- When first using the spray gun, hold the spray gun and lance with two hands to avoid mishaps or injury, and always use the trigger safety lock when not using the power washer even if the spraying stops for just a moment.
- When you press the power switch to turn the power washer off, water pressure may remain in the system. To discharge the pressure, point the spray gun in a safe direction and pull the trigger.
- Never spray flammable liquids.
- Never use the power washer in areas that contain combustible dust, liquids or vapors.
- Avoid contact of the pressure hose with sharp objects and examine the hose regularly. Replace if damaged. Due to the high pressure involved, it cannot be repaired if cut or damaged.
- Only use detergent specifically formulated for power washers and follow the instructions on the detergent label. Dish or laundry soap is too thick and will clog the nozzle of your lance and detergent

bottle.

- Protect eyes, lungs, and skin from exposure to detergent.
- **IMPORTANT:** Store the power washer indoors to prevent the water in the unit from expanding under freezing conditions. When the water freezes and expands, your power washer will be damaged and become inoperable.
- Never use hot water with your power washer(40°C+). It will overheat and damage the high-pressure pump.
- Never leave the power washer unattended while it is powered "on".
- Always turn the water supply "on" before turning the power washer power "on". Running the pump dry will damage the internal components.
- Never use a water supply to your power washer exceeding 7 bar maximum.
- Never disconnect the high-pressure hose from the power washer while the system is pressurized.
- Never permanently engage the trigger mechanisms on the spray gun.
- Never operate the power washer unless all components are properly and securely connected.
- Never allow the power washer pump to run for more than one minute after turning off the water supply. This can cause the motor and pump to overheat and fail.
- Only use lances and accessories that are specified to withstand the water pressure of the machine.
- Never spray any electrical outlet with your power washer.
- Inspect the power cord before use. Do not use it if damaged.
- If the supply cord is damaged, it must be replaced by the manufacturer, its service agent or similarly qualified persons in order to avoid hazardous situations.



CAUTION: Read the instructions before using the machine.

- The machine should not be used by children. Children should be supervised to ensure that they do not play with the machine.
- The appliance can be used by people with reduced physical, sensory or mental capabilities, or lack of experience and knowledge, if they have been given supervision or instruction concerning use of the appliance in a safe way and understand the hazards involved.
- The electric supply connection must be made by a qualified electrician and comply with the pressure washer's specifications. It is recommended that the electric supply to this machine should include

either a residual current device that will interrupt the supply if the leakage current to earth exceeds 30 mA for 30 ms or a device that will prove the earth circuit.

- **WARNING:** This machine has been designed for use with the cleaning agent supplied or recommended by the manufacturer. The use of other cleaning agents or chemicals may adversely affect the safety of the machine.
- **WARNING:** High pressure jets can be dangerous if misused. The jet must not be directed at persons, live electrical equipment or the machine itself.
- **WARNING:** Do not use the machine within range of people unless they wear protective clothing.
- **WARNING:** Do not direct the jet against yourself or others in order to clean clothes or footwear.
- **WARNING:** Risk of explosion – Do not spray flammable liquids.
- **WARNING:** High pressure hoses, fittings and couplings are important for the safety of the machine. Use only hoses, fittings and couplings recommended by the manufacturer.
- **WARNING:** To ensure machine safety, use only original spare parts from the manufacturer or approved by the manufacturer.
- **WARNING:** Water that has flowed through back-flow valves is considered non-potable.
- **WARNING:** The machine shall be disconnected from its power source by removing the plug from the socket-outlet during cleaning or maintenance and when replacing parts.
- **WARNING:** Do not use the machine if a supply cord or important parts of the machine, are damaged, e.g. safety devices, high-pressure hoses, trigger gun.
- **WARNING:** Inadequate extension cords can be dangerous. If an extension cord is used, it must be suitable for outdoor use, and the connection must be kept dry and off the ground. It is recommended to accomplish this by using a cord reel that keeps the socket at least 60 mm above the ground.
- **WARNING:** Always switch off the mains disconnecting switch when leaving the machine unattended.

Servicing of a Double-Insulated Appliance

In a double-insulated product, two systems of insulation are provided instead of grounding. Grounding means are not provided for a double-insulated product, nor should grounding means be added to the product. Servicing a double-insulated product requires extreme care and knowledge of the system and

should only be done by qualified service personnel. Replacement parts for a double-insulated product must be identical to the original parts. A double-insulated product is marked with the words "Double Insulation" or "Double Insulated". Product may also be marked with symbol shown below.



Unpacking & Preparation Instructions

After unpacking the high pressure washer, lay out the parts and accessories. Familiarize yourself with the parts in the package by comparing them to those listed on the box and attached documents. If assembly is required, refer to the attached assembly instructions.

Water Inlet Connection

Attach the included water inlet filter as shown in illustration A, hand tightening is enough. Never use a standard inlet connector without water filter. Attach your garden hose to the filter connector. The included water filter fits standard quick connectors for garden hoses (Gardena).

High Pressure Hose

Ensure that there is no visible damage of the high-pressure hose, and connect it to the female connector on the machine as shown in illustration B. Connect the other end into the high-pressure gun as shown in illustration C. One or both of these connections may already be connected from the factory. If both ends look the same, the hose can be used in either direction. Make sure the hose clicks into place and is securely fastened.

High Pressure Gun

After connecting the pressure gun to the hose, test the trigger and safety lock. Open the water outlet valve going into the machine, and make sure there are no leaks. No water should be able to escape the water inlet connector, machine, high-pressure hose or high-pressure gun. Make sure the safety lock/child proofing works, as shown in illustration D. It should not be possible to suppress the trigger while the safety lock is engaged. Unlock the safety and suppress the trigger until there is a steady and even water stream from the gun.

Spray Gun, Lance and Accessories

The pressure washer is meant to be used with accessories mounted on the pressure gun. All accessories are attached using a bayonet connector. Push the bayonet end into the female bayonet connector, twist counterclockwise and let go. Ensure that the accessory is securely fastened.

Refer to illustration E. All accessories, except for accessories using pinpoint nozzles (for instance the turbo nozzle) can be attached directly on the gun. For safety reasons, accessories that use pinpoint nozzles (for instance the turbo nozzle), are only to be used with included lance(s), see figure F. This is due to safety regulations that dictate a minimum distance between the handle and harmful water jets. One or more of the pictured nozzles are included as standard.

Test and Startup

Plug the power cable into an approved power outlet. To the extent possible, AVA recommends using a pressure hose extension (not included) rather than using a power cord extension. If an extension cord is used, it must be approved for outdoor use, and the cross section of the cord needs to be minimum 1.5 mm² on up to a 10m cord, and minimum of 2mm² from 10m to 20m cords. Never use a cord that exceeds 20m. Ensure that the safety lock on the trigger is engaged. Turn the power switch on the machine to "1," see illustration G. The machine has the international symbols "0" for off, and "1" for on. The machine should make a short motor sound, and quickly stop. Direct the pressure gun in a safe direction, disengage the safety lock and suppress the trigger. The machine will now start, and there might be a noticeable kick-back/movement in the gun. Every time the trigger is released, the machine should quickly stop.

Familiarize yourself with the different pressure nozzles and the water jets they deliver. The relation between power, work area and distance is explained in illustration H.

Operating Instructions

Consider the user manual and warnings and use common sense. There are different opinions on what can be cleaned using high pressure, but from our experience, common sense will get you a long way. Illustrations H and I show some of the possibilities and areas of use, but we recommend also visiting our website for more information. Remember that the water force decreases while the contact area increases with larger surface distance. Remember to always engage the safety lock while not holding the pressure gun and follow the "after use" instructions before storing the machine. If the motor turns on for short periods, this is completely normal. The pump is priming itself to be ready to go for when the pressure gun trigger is suppressed. Turn the pressure washer off, if not used for periods longer than 5 minutes. Do not press the trigger several times in quick succession, as this can cause the total stop system

to malfunction. Squeeze the trigger slowly and methodically. The O-rings inside the bayonets and extension lances should be cleaned regularly and lubricated using grease or silicone-based lubricant. For instructions on extra accessories, purchased separately or bonus items, go to the AVA website: www.avaofnorway.com

Packing and storage

When you are finished using the machine, do the following: Engage the safety switch on the pressure gun. Turn the power switch on the machine from 1 to 0 and turn off the water flow from the faucet. Disengage the safety switch and press the trigger to release the remaining high pressure. Be aware that the system still is pressurized up to this point and be sure to point the spray in a safe direction. Disconnect the garden hose and detach nozzle and/or lance from the gun. Press the trigger once again. Some water may exit the water inlet connection or the gun. Finish by engaging the safety switch on the gun and disconnect the power plug. Store the machine and accessories in an environment that has no risk of freezing temperatures. If this presents a challenge, follow the instructions for freeze protecting the machine on the AVA website: www.avaofnorway.com Good luck with your new pressure washer. We hope that it will provide satisfaction for years to come, whether you love cleaning, or want to get things done quickly. In both cases you have made the best possible decision in buying an AVA.

General Tips

- Firstly, the best advice we can give is to visit www.avaofnorway.com to learn more about your pressure washer, as well as techniques, accessories, etc.
- Clean from the bottom up. This helps you see what you have cleaned and ensures that you don't rinse away cleaning agents before you actually clean. Finally, rinse from the top down. This tip applies to almost everything you would want to clean.
- Do not store the pressure washer near heaters or other heat sources, as this could cause the gaskets inside the pump to dry out.
- Remember: There will always be residual water left in the pump. Water that dries up over time could leave lime or humus behind, which can get stuck in the movable parts of the pump. A pressure washer that gets used regularly will normally last longer than one that only sees use once every year.
- If the machine is to be stored for extended periods without being used, we recommend following the guidelines for long-term storage

found on www.avaofnorway.com

- The filter on the water inlet connector should be cleaned regularly. Push a pen or pencil into the smallest opening in the detached connector and push the filter out. Rinse in clean water and reassemble.
- Familiarize yourself with all documentation in the box, and also check www.avaofnorway.com regularly, if you are interested in new products or accessories for your pressure washer.

How to Avoid Damaging Surfaces

Damage to surfaces being cleaned occurs because the impact force of the water pressure exceeds the durability of the surface. Bare wood can be penetrated; paint can be peeled off, etc. You can vary the force of your power washer by controlling:

- the angle of the water spray to the surface being cleaned
- the distance of the nozzle from the surface being cleaned

Never use a narrow high-pressure stream of water from the lance on soft surfaces susceptible to damage.

3rd Party Equipment

If you want to use equipment from another pressure washer or manufacturer, be aware of the following:

- For accessories to be compatible they need to be fitted with the same bayonet connection that AVA uses. Compare the accessories and never try to attach equipment that appears significantly different.
- Low-pressure equipment, such as waterflow brushes, rim brush etc. can be used regardless of AVA model, as long as the bayonet adapter can be attached to the lance.
- High-pressure equipment, such as fixed nozzles, rotating nozzles, patio cleaners etc. all have nozzle openings that are adjusted for machine specifications. It is important not to mix accessories made for differently specified machines. A general guideline is to compare the specified wattage of the machine that the accessory is meant for with the wattage of the machine you wish to use. If they are approximately the same, you can generally use the equipment interchangeably.
- If the machine is pulsing (turns quickly on and off while spraying), the accessory cannot be used.
- Some pressure guns use the same hose connection as AVA. If a pressure gun fits the hose of your AVA pressure washer, it can be used as an adapter for other accessories. You still have to follow the above guidelines, and AVA original accessories will always be the best choice.

TROUBLE SHOOTING AND FAQs

| | |
|--|---|
| Unit will not turn on. | Make sure the power washer is in the "OFF" position. Plug in the electrical cord to a grounded 230 volt outlet (no electrical extension cord should be used). |
| The high pressure (HP) hose will not connect / stay connected to the spray gun. Is this a spray gun problem? | In most cases, the spray gun is not the problem. The problem is the rubber sleeve covering the fitting at the end of the high pressure hose. It has likely slipped up toward the metal tip. The fix: wiggle, twist and/or pull the rubber sleeve down until the entire tip is visible plus an 1/8" of the metal fitting below the tip. Now try to insert the hose tip into the spray gun. It should "click" into place and will not come out until the hose is released by pushing in the lever on the underside of the gun. You may cut away the end of the sleeve with a sharp knife if unable to move the sleeve down. Be careful not to cut or puncture the hose. |
| The unit is running but there is not water flow | Check the water source. Unclog the nozzle on the lance. (See nozzle cleaning instructions under "Cleaning nozzles".) Or take off the lance and just spray out of the spray gun. This will indicate if the problem is with the lance or the spray gun |
| Why is water leaking where the high pressure hose connects to the spray gun? | Make sure there is an o-ring at the end of the metal tip of the high pressure hose. If no o-ring is present, the connection between the hose and spray gun will leak. |
| I can't remove the lance from the spray gun. What should I do? | The lance is attached and removed from the spray gun in the same manner. Insert the quick-release end of the lance into the spray gun. Press the spray gun and lance together (about a 1/8") and turn clockwise. The lance will lock in place. Remove the lance by reversing this procedure. Press the spray gun and lance together and turn counter clockwise. The lance will slide out. Or, hold the spray gun and lance in an upright position with the nozzle end on the floor . Push the whole assembly straight down to loosen the connection, and then follow the removal process again. You may also spray soapy water or a lubricant in the area where the lance connects to the spray gun. Remember to loosen/ tighten the locking collar on the lance in between operations! |
| The power washer turns on for 2 seconds, shuts off, and will not turn back on. Do I have a defective unit? | No, it sounds like your power washer is working just fine. When the water is connected, the accessories are assembled properly, and the power switch is turned on, the power washer will turn on for 1 - 2 seconds to prime the pump. It automatically shuts off and waits for the spray gun trigger to be squeezed. When the trigger is squeezed, water starts flowing through the pump. The water sensor in the pump "senses" the moving water and automatically turns the power washer on. Or, turn the power switch to off, hold in the trigger on the spray gun, so that you have a steady stream of water. While you are holding the trigger open on the spray gun, at the same time, turn the power switch on. |

Deutsch

Bitte lesen Sie diese Betriebs- und Sicherheitshinweise zusammen mit allen anderen vorliegenden Dokumenten vor der ersten Inbetriebnahme des Gerätes aufmerksam durch. Bewahren Sie alle Dokumente an einem sicheren Ort zum späteren Nachschlagen auf.

Einführung

Herzlichen Glückwunsch zu Ihrem neuen Hochdruckreiniger! Dieses Gerät ist ein leistungsstarkes Werkzeug und muss mit Sorgfalt behandelt werden.

AVA verwendet innovative Technik, um die Reinigungsleistung zu verbessern. So können Sie einen höheren Wirkungsgrad erzielen als bei vergleichbaren Geräten, die Sie vielleicht zuvor ausprobiert haben. Führen Sie immer einen Reinigungstest an einer weniger sichtbaren Stelle durch und machen Sie sich mit dem mitgelieferten Zubehör vertraut.

Ihr AVA-Gerät beinhaltet immer einen Hochdruckschlauch, eine Hochdruckpistole, eine Lanze, eine Düse und einen speziell angefertigten Ansaugfilter mit Gartenschlauchanschluss. Verwenden Sie niemals einen normalen Gartenschlauchanschluss ohne Filter direkt an der Maschine.

Wenn Sie ein erweitertes Paket erworben haben, kann zusätzliches Zubehör enthalten sein. Der Inhalt des Lieferumfangs ist in einem separaten Dokument beschrieben.

Erläuterung der Symbole



ACHTUNG! Richten Sie den Strahl nicht auf Personen, Tiere oder elektrische Geräte.



ACHTUNG! Lesen Sie die Schutz-, Warn- und Sicherheitshinweise sorgfältig durch.



Die Maschine eignet sich nicht für den Anschluss an das Trinkwassernetz ohne Rückschlagventil, es sei denn, der Wasserdruck ist höher als 1 bar.



Lesen Sie bitte aufmerksam das Handbuch



Doppelte Isolierung

Schutz-, Warn- und

Sicherheitshinweise



Um Personen- und/oder Sachschäden zu vermeiden und die Waschleistung zu maximieren, befolgen Sie sorgfältig alle Sicherheitstipps, Anweisungen, Warnungen und Schutzvorkehrungen und machen Sie sich mit allen Bedienelementen vertraut. Stellen Sie sicher, dass Sie wissen, wie Sie den Druck von allen Teilen Ihrer Hochdruckreiniger schnell mindern und wie Sie den Hochdruckreiniger ausschalten können.

Tragen Sie immer einen Augenschutz, um Augenverletzungen beim Betrieb des Hochdruckreinigers zu vermeiden.

Dieser Hochdruckreiniger entspricht den CE- und anderen Sicherheits- und Verbrauchernormen. Modifizieren oder erneuern Sie keine Teile Ihrer Hochdruckreiniger.

Verwenden Sie Ihren Hochdruckreiniger nicht, wenn Sie unter dem Einfluss von Alkohol oder Drogen stehen. Verwenden Sie dieses Elektrowerkzeug vorsichtig und nur, wenn Sie es auch beaufsichtigen können.

Achten Sie auf Ihr Gleichgewicht und Ihren Halt, während Sie Ihren Hochdruckreiniger verwenden. Während der Reinigungsvorgangs können Oberflächen nass und rutschig werden. Dieser Effekt verstärkt sich, wenn Sie ein Reinigungsmittel benutzen.

Betreiben Sie den Hochdruckreiniger niemals barfuß, in Sandalen oder offenen Schuhen. Achten Sie darauf, dass Sie geschlossene, schützende Schuhe oder Stiefel tragen.

Wenn Sie den Hochdruckreiniger in der Nähe von Kindern verwenden, stellen Sie sicher, dass sie von einem Erwachsenen genau überwacht werden, um Verletzungen zu vermeiden. Lassen Sie niemals ein Kind den Hochdruckreiniger benutzen.

Achten Sie darauf, dass Finger, Hände, Füße und ein Teil des Körpers nicht vom Hochdruck-Wasserstrahl getroffen werden. Der starke Wasserstrahl kann Blindheit oder Risse in der Haut verursachen. Achten Sie auf alle Glasflächen. Beim Drücken des Abzuges an der Spritzpistole könnte durch den Wasserdruck ein Fenster zerschlagen werden, wenn Sie zu nah sind.

Um Unfälle oder Verletzungen zu vermeiden, betätigen Sie immer die Abzugssicherung, wenn Sie den Hochdruckreiniger nicht verwenden, auch wenn der Sprühvorgang für einen Moment unterbrochen wird.

Testen Sie die Oberfläche immer, um sicherzustellen, dass sie nicht durch zu hohen Druck beschädigt wird.

Richten Sie die Spritzpistole in eine sichere Richtung, wenn Sie eine Power-Wash-Sitzung

beginnen.

Wenn Sie die Spritzpistole und die Lanze zum ersten Mal benutzen, halten Sie die Spritzpistole und die Lanze mit zwei Händen, um Missgeschicke oder Verletzungen zu vermeiden. Verwenden Sie die Abzugssicherung des Auslösers, wenn Sie den Hochdruckreiniger nicht verwenden, auch wenn der Sprühvorgang nur für einen Moment unterbrochen wird.

Wenn Sie den Netzschalter betätigen, um den Hochdruckreiniger auszuschalten, kann im System Wasserdruck verbleiben. Um den Druck abzubauen, bewegen Sie die Spritzpistole in eine sichere Richtung und bewegen Sie den Abzug. Versprühen Sie niemals brennbare Flüssigkeiten. Verwenden Sie den Hochdruckreiniger niemals in Bereichen, die brennbare Stäube, Flüssigkeiten oder Dämpfe enthalten.

Vermeiden Sie den Kontakt des Druckschlauches mit scharfen Gegenständen und überprüfen Sie den Schlauch regelmäßig. Bei Beschädigung des Schlauchs müssen Sie diesen ersetzen.

-Aufgrund des hohen Drucks kann der Schlauch bei Einschnitten oder anderen Beschädigung nicht repariert werden.

Verwenden Sie nur Reinigungsmittel, die speziell für Hochdruckreiniger entwickelt wurden, und befolgen Sie die Anweisungen auf dem Etikett des Reinigungsmittels. Geschirrspülmittel oder Waschseife ist zu zähflüssig und kann die die Düse Ihrer Lanze und der Reinigungsmittelflasche verstopfen.

Schützen Sie Augen, Atemwege und Haut vor Reinigungsmitteln.

WICHTIG: Bewahren Sie den Hochdruckreiniger in Innenräumen auf, um zu verhindern, dass sich das Wasser im Gerät bei Frost ausdehnt. Wenn das Wasser gefriert und sich ausdehnt, wird Ihr Hochdruckreiniger beschädigt und unbrauchbar. Verwenden Sie niemals heißes Wasser mit Ihrem Hochdruckreiniger (+40°C). Dadurch kann er überhitzen und die Hochdruckpumpe beschädigt werden.

Lassen Sie den Hochdruckreiniger niemals unbeaufsichtigt, während er „eingeschaltet“ ist. Schalten Sie immer zuerst die Wasserzufuhr ein, bevor Sie den Hochdruckreiniger einschalten. Ein Trockenbetrieb der Pumpe führt zu Schäden an den internen Komponenten.

Verwenden Sie niemals eine Wasserzufuhr zu Ihrem Hochdruckreiniger, die 7 bar übersteigt. Trennen Sie niemals den Hochdruckschlauch vom Hochdruckreiniger, solange das System unter Druck steht.

Lassen Sie den Auslösemechanismus der Spritzpistole niemals dauerhaft eingerastet.

10

Betreiben Sie den Hochdruckreiniger niemals, wenn nicht alle Komponenten ordnungsgemäß und sicher angeschlossen sind.

Lassen Sie die Pumpe des Reinigers niemals länger als eine Minute laufen, nachdem Sie die Wasserversorgung abgeschaltet haben. Dies kann dazu führen, dass sich Motor und Pumpe überhitzen und ausfallen.

Verwenden Sie nur Lanzen und Zubehör, die so spezifiziert sind, dass sie dem Wasserdruck der Maschine standhalten.

Verwenden Sie den Hochdruckreiniger nie zum Reinigen von Steckdosen oder Bereichen in der unmittelbaren Nähe.

Überprüfen Sie das Netzkabel, bevor Sie es verwenden. Verwenden Sie es nicht, wenn es beschädigt ist.

Ist das Netzkabel beschädigt, muss es vom Hersteller, seinem Servicepartner oder ähnlich qualifizierten Personen ausgetauscht werden, um Gefahren zu vermeiden.



ACHTUNG: Lesen Sie aufmerksam die Anweisungen, bevor Sie die Maschine in Betrieb nehmen.

- Das Gerät darf nicht von Kindern benutzt werden. Kinder sollten beaufsichtigt werden, um sicherzustellen, dass sie nicht mit dem Gerät spielen.
- Das Gerät kann von Personen mit eingeschränkter körperlicher, sensorischer oder geistiger Leistungsfähigkeit oder mangelnder Erfahrung und Kenntnis benutzt werden, wenn sie eine Aufsicht oder Anweisung über den sicheren Gebrauch des Gerätes erhalten haben und die damit verbundenen Gefahren verstehen.
- Der elektrische Anschluss muss von einer Elektrofachkraft vorgenommen werden und den Spezifikationen von Hochdruckreinigern entsprechen. Es wird empfohlen, dass die elektrische Versorgung dieser Maschine entweder einen Fehlerstromschutzschalter beinhaltet, der die Versorgung unterbricht, wenn der Ableitstrom gegen Erde 30 ms lang 30 mA überschreitet, oder ein Gerät, das den Erdungskreis überprüft.
- **WARNUNG:** Dieses Gerät wurde für die Verwendung mit dem vom Hersteller gelieferten oder empfohlenen Reinigungsmittel entwickelt. Die Verwendung anderer Reinigungsmittel oder Chemikalien kann die Sicherheit des Gerätes beeinträchtigen.
- **WARNUNG:** Hochdruckdüsen können bei unsachgemäßer Verwendung gefährlich werden. Der Strahl darf nicht auf Personen, spannungsführende elektrische Geräte oder den

Reiniger an sich gerichtet sein.

- **WARNUNG:** Verwenden Sie das Gerät nicht in Reichweite von anderen Personen, es sei denn, diese tragen Schutzkleidung.
- **WARNUNG:** Richten Sie den Strahl nicht gegen sich selbst oder andere, um Kleidung oder Schuhe zu reinigen.
- **WARNUNG:** Explosionsgefahr - Keine brennbaren Flüssigkeiten versprühen.
- **WARNUNG:** Hochdruckschläuche, Armaturen und Kupplungen sind wichtig für die Sicherheit der Maschine. Verwenden Sie nur vom Hersteller empfohlene Schläuche, Armaturen und Kupplungen.
- **WARNUNG:** Verwenden Sie zur Gewährleistung der Maschinensicherheit nur Original-Ersatzteile des Herstellers oder vom Hersteller homologierte Teile.
- **WARNUNG:** Wasser, das durch Rückschlagventile geflossen ist, verfügt nicht mehr über Trinkwasserqualität.
- **WARNUNG:** Das Gerät muss während der Reinigung oder Wartung und beim Austausch von Teilen vom Stromnetz getrennt werden, indem der Stecker aus der Steckdose gezogen wird.
- **WARNUNG:** Verwenden Sie das Gerät nicht, wenn ein Netzkabel oder wichtige Teile der Maschine beschädigt sind, z.B. Sicherheitseinrichtungen, Hochdruckschläuche, Abzugspistole.
- **WARNUNG:** Ungeeignete Verlängerungskabel können gefährlich sein. Wenn ein Verlängerungskabel verwendet wird, muss es für den Einsatz im Freien geeignet sein. Achten Sie darauf, dass der Anschluss nicht nass werden darf und lagern Sie ihn idealerweise über dem Boden. Es wird empfohlen, dies mit Hilfe einer Kabeltrommel zu tun, die den Anschluss mindestens 60 mm über dem Boden hält.
- **WARNUNG:** Schalten Sie immer den Netztrennschalter aus, wenn Sie das Gerät unbeaufsichtigt lassen.

Wartung eines doppelt isolierten Geräts

- Bei einem doppelt isolierten Produkt sind anstelle der Erdung zwei Isolationssysteme vorgesehen. Erdungsmittel sind für ein doppelt isoliertes Produkt nicht vorgesehen, auch nicht, wenn dem Produkt Erdungsmittel hinzugefügt werden.
- Die Wartung eines doppelt isolierten Produkts erfordert äußerste Sorgfalt und Systemkenntnisse und sollte nur von qualifiziertem Servicepersonal durchgeführt werden.
- Ersatzteile für ein doppelt isoliertes Produkt

müssen mit den Originalteilen identisch sein. Ein doppelt isoliertes Produkt ist mit den Worten „Doppelte Isolierung“ oder „Doppelt isoliert“ gekennzeichnet. Das Produkt kann auch mit dem untenstehenden Symbol gekennzeichnet werden.



Hinweise zum Auspacken und Vorbereiten des Geräts

Legen Sie nach dem Auspacken des HOCHDRUCKREINIGERS alle Teile und das Zubehör nebeneinander. Machen Sie sich mit den Teilen in der Verpackung vertraut, indem Sie sie mit den auf der Verpackung aufgeführten Teilen und den beigefügten Dokumenten vergleichen. Wenn eine Montage erforderlich ist, beachten Sie die beigefügte Montageanleitung.

Anschluss Wassereinlass

Befestigen Sie den mitgelieferten Wasserzulaufilter wie in Abbildung A dargestellt. Ein handfestes Anziehen ist ausreichend. Verwenden Sie niemals einen Standard-Einlass ohne Wasserfilter. Befestigen Sie Ihren Gartenschlauch am Filteranschluss. Der mitgelieferte Wasserfilter passt zu handelsüblichen Schnellanschlüssen für Gartenschläuche (Gardena).

Hochdruckschlauch

Vergewissern Sie sich, dass der Hochdruckschlauch keine sichtbaren Beschädigungen aufweist. Schließen Sie ihn wie in Abbildung B gezeigt an der entsprechenden Stelle des Gerätes an. Stecken Sie das andere Ende wie in Abbildung C gezeigt in die Hochdruckpistole. Eine oder beide dieser Verbindungen könnten bereits ab Werk angeschlossen sein. Wenn beide Enden gleich aussehen, kann der Schlauch in beide Richtungen verwendet werden. Achten Sie darauf, dass der Schlauch einrastet und sicher befestigt ist.

Hochdruckpistole

Nachdem Sie die Druckpistole an den Schlauch angeschlossen haben, prüfen Sie den Abzug und die Sicherheitsverriegelung. Öffnen Sie das Wasserauslassventil, das in die Maschine führt, und stellen Sie sicher, dass es keine undichten Stellen gibt. Es darf kein Wasser aus dem Wassereinlassstrutzen, der Maschine, dem Hochdruckschlauch oder der Hochdruckpistole austreten. Vergewissern Sie sich, dass die Sicherheitsverriegelung / Kindersicherung funktioniert, wie in Abbildung

D dargestellt. Es sollte nicht möglich sein, den Auslöser zu unterdrücken, während die Sicherheitsverriegelung eingerastet ist. Entriegeln Sie die Sicherheitsverriegelung und drücken Sie den Auslöser, bis ein gleichmäßiger Wasserstrahl aus der Pistole kommt.

Spritzpistole, Lanze und Zubehör

Der Hochdruckreiniger ist für den Einsatz mit Zubehör an der Druckpistole vorgesehen. Alle Zubehörteile werden mit einem Bajonettstecker befestigt. Schieben Sie das Bajonettende in die Bajonettbuchse und drehen Sie es gegen den Uhrzeigersinn und lassen Sie es los. Vergewissern Sie sich, dass das Zubehör sicher befestigt ist. Siehe Abbildung E.

Aus Sicherheitsgründen darf Zubehör, das Pin-Point-Düsen verwendet (z.B. die Turbodüse), nur mit den mitgelieferten Lanzen verwendet werden, siehe Abbildung F. Dies ist auf Sicherheitsvorschriften zurückzuführen, die einen Mindestabstand zwischen Griff und möglichen gesundheitsgefährdenden Wasserstrahlen festlegen. Eine oder mehrere der abgebildeten Düsen sind standardmäßig enthalten.

Inbetriebnahme

Stecken Sie das Netzkabel in eine dafür zugelassene Steckdose. AVA empfiehlt, soweit möglich, eine Druckschlauchverlängerung (nicht im Lieferumfang enthalten) anstelle einer Netzkabelverlängerung zu verwenden. Wenn ein Verlängerungskabel verwendet wird, muss es für den Einsatz im Freien zugelassen sein, und der Querschnitt des Kabels muss mindestens 1,5 mm² bei bis zu 10 m Kabel und mindestens 2 mm² bei 10 m bis 20 m Kabeln betragen. Benutzen Sie niemals ein Kabel, das länger als 20 m ist. Vergewissern Sie sich, dass die Sicherheitsverriegelung am Abzug eingerastet ist. Schalten Sie den Netzschalter am Gerät auf „1“, siehe Abbildung G. Das Gerät verwendet die internationalen Symbole „0“ für AUS und „1“ für EIN. Das Gerät sollte ein kurzes Motorgeräusch erzeugen und schnell anhalten. Richten Sie die Druckpistole in eine sichere Richtung, entriegeln Sie die Sicherheitsverriegelung und drücken Sie den Auslöser. Das Gerät startet nun, und es könnte ein deutlicher Rückschlag / Bewegung in der Sprühpistole zu merken sein. Jedes Mal, wenn der Auslöser losgelassen wird, sollte das Gerät schnell anhalten.

Machen Sie sich mit den verschiedenen Druckdüsen und den gelieferten Wasserdüsen vertraut. Der Zusammenhang zwischen Leistung, Arbeitsbereich und Abstand ist in Abbildung H dargestellt.

Bedienungsanleitung

Bei der Benutzung des Gerätes sollten Sie sich an die Anweisungen des Benutzerhandbuches, die Warnhinweise und auf Ihren gesunden Menschenverstand verlassen. Es gibt unterschiedliche Meinungen darüber, was mit Hochdruck gereinigt werden kann. Wir vertrauen darauf, dass Ihr gesunder Menschenverstand Ihnen den richtigen Weg weisen wird. In der Abbildung H und hier sehen Sie einige der Möglichkeiten und Anwendungsbereiche. Wir empfehlen Ihnen weiterhin auch den Besuch unserer Website für umfangreichere Informationen. Denken Sie daran, dass die Wasserkraft abnimmt, während die Kontaktfläche mit größerem Oberflächenabstand zunimmt. Denken Sie daran, die Sicherheitsverriegelung immer zu aktivieren, wenn Sie die Hochdruckpistole nicht benutzen, und befolgen Sie die Anweisungen unter dem Punkt „Nach Gebrauch“, bevor Sie die Maschine lagern. Wenn der Motor für kurze Zeit eingeschaltet wird, ist dies völlig normal. In diesem Fall bereitet sich die Pumpe darauf vor, einsatzbereit zu sein, sobald der Druckpistolenabzug betätigt wird. Schalten Sie den Hochdruckreiniger aus, wenn Sie ihn länger als 5 Minuten nicht verwenden. Drücken Sie den Auslöser nicht mehrmals kurz hintereinander, da dies zu einer Fehlfunktion des Totalstopp-Systems führen kann. Drücken Sie den Abzug langsam und systematisch. Die O-Ringe im Inneren der Bajonette und Verlängerungslanzen sollten regelmäßig gereinigt und mit Fett oder silikonhaltigem Gleitmittel geschmiert werden. Anweisungen zu zusätzlichem Zubehör - separat erhältlich oder Bonusartikel - finden Sie auf der AVA-Website: www.avaofnorway.com

Verpackung

Nach der Benutzung des Gerätes sollten Sie das Folgende tun: Lassen Sie den Sicherheitsschalter an der Druckpistole einrasten. Schalten Sie den Netzschalter an der Maschine von 1 auf 0 und schließen Sie den Wasserfluss an der Armatur. Lösen Sie den Sicherheitsschalter und drücken Sie den Auslöser, um den verbleibenden Druck abzulassen. Beachten Sie, dass das System bis zu diesem Punkt noch unter Druck steht. Richten Sie daher den Strahl in eine sichere Richtung. Trennen Sie den Schlauch und lösen Sie die Düse und/oder Lanze von der Pistole. Drücken Sie den Auslöser noch einmal. Etwas Wasser kann aus dem Wassereinflussanschluss oder der Pistole austreten. Beenden Sie den Vorgang, indem Sie den Sicherheitsschalter an der Pistole einrasten lassen und den Netzstecker ziehen. Lagern Sie das Gerät und das Zubehör in einer

Umgebung, in der keine Frostgefahr besteht. Sollte dies nicht möglich sein, folgen Sie bitte den Anweisungen zum Schutz vor Einfrieren des Gerätes auf der AVA-Website: www.avaofnorway.com

Wir wünschen Ihnen viel Erfolg mit Ihrem neuen Hochdruckreiniger. Wir hoffen, dass er in den kommenden Jahre zufriedenstellend arbeitet, egal, ob Sie gerne reinigen oder einfach nur ein effizientes Tool suchen. In beiden Fällen haben Sie mit dem Kauf einer AVA die beste Entscheidung getroffen.

Allgemeine Tipps

- Zuerst möchten wir Ihnen raten, unsere Webseite www.avaofnorway.com zu besuchen, um noch mehr über Ihren Hochdruckreiniger, sowie Techniken, Zubehör, etc. zu erfahren.
- Reinigen Sie immer von unten nach oben. Dies hilft Ihnen zu sehen, welche Stellen Sie gereinigt haben und stellt sicher, dass Sie Reinigungsmittel nicht abspülen, bevor sie tatsächlich ihre Reinigungswirkung entfalten. Abschließend von oben nach unten abspülen. Dieser Tipp gilt für fast alles, was Sie reinigen möchten.
- Lagern Sie den Hochdruckreiniger nicht in der Nähe von Heizkörpern oder anderen Wärmequellen, da dies zum Austrocknen der Dichtungen im Inneren der Pumpe führen kann.
- Denken Sie daran: Es verbleibt immer Restwasser in der Pumpe. Wasser, das mit der Zeit trocknet, kann Kalk oder Algen zurücklassen, die sich in den beweglichen Teilen der Pumpe festsetzen können. Ein Hochdruckreiniger, der regelmäßig benutzt wird, hält in der Regel länger als ein Hochdruckreiniger, der nur einmal im Jahr verwendet wird.
- Wenn die Maschine längere Zeit unbenutzt gelagert werden soll, empfehlen wir, die Richtlinien für die Langzeitlagerung zu beachten, die auf www.avaofnorway.com zu finden sind.
- Der Filter am Wasserzulaufanschluss sollte regelmäßig gereinigt werden. Drücken Sie einen Stift oder Bleistift in die kleinste Öffnung des abgetrennten Steckverbinders und drücken Sie den Filter heraus. In sauberem Wasser abspülen und wieder zusammenbauen.
- Machen Sie sich mit allen Unterlagen in der Verpackung vertraut und besuchen Sie www.avaofnorway.com regelmäßig, wenn Sie an neuen Produkten oder Zubehör für Ihren Hochdruckreiniger interessiert sind.

Wie Sie Schäden an Oberflächen

vermeidet

Schäden an den zu reinigenden Oberflächen entstehen, weil die Aufprallkraft des Wasserdrucks die Haltbarkeit der Oberfläche übersteigt.

Unbehandeltes Holz kann durchdrungen werden, Farbe kann abgewaschen werden, etc. Sie können die Kraft Ihrer Hochdruckreiniger aktiv beeinflussen durch:

- den Winkel des Wassersprühstrahls in Hinblick auf die zu reinigenden Oberfläche
- den Abstand der Düse von der zu reinigenden Oberfläche

Verwenden Sie niemals einen schmalen Hochdruckwasserstrahl aus der Lanze auf weichen, empfindlichen Oberflächen.

Verwendung von anderen Modellen/ Zubehör

Wenn Sie Geräte eines anderen Hochdruckreinigers oder Herstellers verwenden möchten, beachten Sie die folgenden Punkte:

- Damit das Zubehör kompatibel ist, muss es mit dem gleichen Bajonettanschluss ausgestattet sein, den AVA verwendet. Vergleichen Sie das Zubehör und versuchen Sie niemals, Teile anzubringen, die deutlich anders aussehen.
- Niederdruckgeräte wie Bürsten mit Wasserdurchfluss, Felgenbürsten usw. können unabhängig vom AVA-Modell verwendet werden, sofern der Bajonettadapter an der Lanze befestigt werden kann.
- Hochdruckgeräte, wie feste Düsen, rotierende Düsen, Terrassenreiniger usw., verfügen alle über Düsenöffnungen, die an die Maschinenspezifikationen angepasst sind. Es ist wichtig, dass Sie kein Zubehör für unterschiedlich spezialisierte Maschinen mischen. Eine allgemeine Richtlinie ist es, die angegebene Leistung des Gerätes, für das das Zubehör bestimmt ist, mit der Leistung des Gerätes zu vergleichen, das Sie verwenden möchten. Wenn sie ungefähr gleich sind, können Sie in der Regel miteinander kombiniert werden.
- Wenn die Maschine pulsierend ist (schaltet sich beim Sprühen schnell ein und aus), kann das Zubehör nicht verwendet werden. Einige Druckpistolen verwenden den gleichen Schlauchanschluss wie AVA. Wenn eine Druckpistole auf den Schlauch Ihres AVA Hochdruckreinigers passt, kann sie als Adapter für weiteres Zubehör verwendet werden. Auch wenn Sie sich an die oben genannten Tipps halten, können wir Ihnen versichern, dass AVA-Originalzubehör immer die beste Wahl ist.

Das Gerät schaltet sich nicht ein.

Vergewissern Sie sich, dass sich der Hochdruckreiniger in der Position „OFF“ befindet. Schließen Sie das Netzkabel an eine geerdete 230-Volt-Steckdose an (es darf kein elektrisches Verlängerungskabel verwendet werden).

Der Hochdruckschlauch lässt sich nicht mit der Spritzpistole verbinden / löst sich wieder. Ist dies auf ein Problem mit der Spritzpistole zurückzuführen?

In den meisten Fällen ist die Spritzpistole nicht das Problem. Das Problem ist zumeist die Gummihülse, die sich an der Armatur am Ende des Hochdruckschlauches befindet. Diese hat sich wahrscheinlich in Richtung Metallspitze verschoben. Die Befestigung: Drücken, drehen und/oder ziehen Sie die Gummimanschette nach unten, bis die gesamte Spitze und ein 1/8" des Metallbeschlages unter der Spitze sichtbar sind. Versuchen Sie nun, die Schlauchspitze in die Spritzpistole einzuführen. Diese sollte mit einem hörbaren „Klick“ einrasten und erst herauskommen, wenn der Schlauch durch Drücken des Hebels an der Unterseite der Pistole gelöst wird. Sie können das Ende der Hülse mit einem scharfen Messer abschneiden, wenn Sie die Hülse nicht nach unten bewegen können. Achten Sie darauf, dass Sie den Schlauch nicht einschneiden oder durchbohren.

Das Gerät kann in Betrieb genommen werden, es erfolgt aber kein Wasserdurchfluss.

Überprüfen Sie die Wasserquelle. Versichern Sie sich, dass die Düse der Lanze nicht verstopft ist. (Siehe Anleitung „Düsen reinigen“.) Sie können auch die Lanze entfernen und direkt aus der Sprühpistole sprühen. Dadurch können Sie einfach erkennen, ob das Problem mit der Lanze oder mit der Sprühpistole besteht.

Wieso tritt kein Wasser aus, obwohl der Hochdruckschlauch mit der Spritzpistole verbunden ist?

Stellen Sie sicher, dass sich am Ende der Metallspitze des Hochdruckschlauches ein O-Ring befindet. Wenn kein O-Ring vorhanden ist, ist die Verbindung zwischen Schlauch und Spritzpistole undicht.

Ich kann die Lanze nicht aus der Spritzpistole entfernen. Was kann ich tun?

Die Lanze wird auf die gleiche Weise an der Spritzpistole angebracht und auch entfernt. Stecken Sie das Schnellwechselende der Lanze in die Spritzpistole. Drücken Sie die Spritzpistole und die Lanze zusammen (ca. 1/8") und drehen Sie sie im Uhrzeigersinn. Die Lanze rastet ein. Entfernen Sie die Lanze, indem Sie diesen Vorgang umgekehrt durchführen. Drücken Sie Spritzpistole und Lanze zusammen und drehen Sie sie gegen den Uhrzeigersinn. Die Lanze wird mit Leichtigkeit herausrutschen. Eine andere Möglichkeit ist, die Spritzpistole und die Lanze in aufrechter Position zu halten, wobei das Düsenende auf dem Boden liegt. Jetzt können Sie die ganze Baugruppe gerade nach unten drücken, um die Verbindung zu lösen. Führen Sie im Anschluss den Entnahmevergänger erneut durch. Sie können auch Seifenwasser oder ein Gleitmittel auf den Bereich sprühen, an dem die Lanze mit der Spritzpistole verbunden ist. Denken Sie daran, den Sicherungsring an der Lanze zwischen den Arbeiten zu lösen/anziehen!

Der Hochdruckreiniger schaltet sich für 2 Sekunden ein, schaltet sich aus und im Anschluss nicht wieder ein. Ist mein Gerät defekt?

Nein, es klingt so, als ob Ihr Hochdruckreiniger gut funktioniert. Wenn das Wasser angeschlossen ist, das Zubehör richtig montiert ist und der Netzschalter eingeschaltet ist, schaltet sich der Hochdruckreiniger für 1 - 2 Sekunden ein, um die Pumpe anzulassen. Sie schaltet sich automatisch ab und wartet, bis der Sprühpistolenabzug gedrückt wird. Wenn der Abzug gedrückt wird, beginnt Wasser durch die Pumpe zu fließen. Der Wassersensor in der Pumpe „erfasst“ das sich bewegende Wasser und schaltet den Hochdruckreiniger automatisch ein. Sie können auch den Netzschalter ausschalten und den Auslöser an der Spritzpistole gedrückt halten, sodass Sie einen konstanten Wasserstrahl haben. Während Sie den Abzug an der Spritzpistole offen halten, schalten Sie gleichzeitig den Netzschalter ein.

Norsk

Les denne bruksanvisningen og de andre vedlagte dokumenter nøye før apparatet tas i bruk. Følg sikkerhetsanvisningene og oppbevar alle dokumenter for senere bruk

Innledning

Gratulerer med din nye høytrykksvasker! Denne høytrykksvaskeren er et kraftig verktøy, og må derfor behandles med forsiktighet. AVA benytter flere teknikker for å øke vaskeeffekten, og du kan derfor oppleve høyere effekt enn på selv mindre maskiner som du kanskje har brukt før. Test alltid på et lite synlig område, og gjør deg kjent med det medfølgende tilbehør. Din AVA maskin leveres som standard med en høytrykksslange, en høytrykkspistol, en lanse/forlengelsesrør, en dyse og et spesialbygget vannfilter med vannkobling for hageslange. Benytt aldri en vanlig slangekobling uten filter direkte på maskinen.

I tillegg til medfølgende utstyr kan det i pakken finnes ulikt tilbehør, dersom du har kjøpt en utvidet pakkeløsning. Eskens innhold er avbildet på kartongen og i vedlegget til dette dokumentet.

Tegnforklaring



ADVARSEL! Ikke rett høytrykkstrålen mot andre personer, dyr eller elektrisk utstyr.



ADVARSEL! Les forholdsregler, advarsler og sikkerhetsanbefalinger nøye.



Maskinen skal ikke tilkobles til drikkevannsforsyning uten tilbakeslagsventil dersom vanntrykket i kranen er under 1 bar.



Les bruksanvisningen.



Dobbelisolert apparat

Forholdsregler, advarsler og sikkerhetsanbefalinger



Følg alle anbefalinger nøye for å forhindre personskader eller skade på eiendom og for å få

- en best mulig vaskeopplevelse. Gjør deg kjent med alle funksjonene på høytrykksvaskeren. Vær sikker på hvordan du hurtig løser ut trykket fra alle delene av høytrykksvaskeren og hvordan du skrur av apparatet.
- Benytt alltid øyebeskyttelse for å forhindre skade

på øyne når du benytter høytrykksvaskeren.

- Denne høytrykksvaskeren oppfyller CE og andre sikkerhets- og konsumentstandarder. Ikke modifier eller rekonstruer noen av delene til høytrykksvaskeren.
- Ikke benytt høytrykksvaskeren dersom du er under påvirkning av alkohol eller legemidler. Bruk verktøyet med forsiktighet og kun når du er oppmerksom.
- Pass på balanse og fotfeste når du bruker høytrykksvaskeren. Overflater blir glatte når de er fuktige, og ekstra glatte ved bruk av såpe eller rengjøringsmidler.
- Bruk aldri høytrykksvaskeren barfoot, med sandaler eller sko med åpen tå. Bruk alltid beskyttende heldekkende sko eller støvler.
- Bruker du høytrykksvaskeren i nærheten av barn, må du passe på at de er under nøye oppsyn av en voksen for å unngå skade. La aldri et barn bruke høytrykksvaskeren.
- Hold fingre, hender, føtter og andre kroppsdeler borte fra høytrykkstrålen. Den kraftige vannstrålen kan forårsake blindhet eller skjære gjennom hud. Vær oppmerksom i nærheten av alle glassoverflater, ettersom høytrykkstrålen er kraftig nok til å knuse f.eks. vindusglass dersom du kommer for nær når du trykker inn pistolgrepet.
- Bruk alltid sikkerhetslåsen på pistolgrepet når maskinen ikke er i bruk for å unngå uhell eller skade, selv om det bare er for en kort stund.
- Test alltid overflater for å forsikre deg om at du ikke skader dem med høytrykk.
- Pek høytrykkspistolen i en sikker retning når du skal begynne å vaske.
- Hold høytrykkspistol/lanse med begge hender når du begynner å vaske for å forhindre uhell eller skade og benytt alltid sikkerhetslåsen på høytrykkspistolen når maskinen ikke er i drift, selv om spylingen bare stanser for en kort stund.
- Når du vrir bryteren for å skru av høytrykksvaskeren, kan det fremdeles være trykk i systemet. For å løse ut trykket, pek maskinen i en sikker retning og trykk inn pistolgrepet.
- Aldri spyl brannfarlige væsker.
- Aldri bruk høytrykksvaskeren i områder som inneholder lettantennelig støv, væsker eller damp.
- Unngå at høytrykksslengen kommer i kontakt med skarpe objekter, og kontroller slangen regelmessig.
- Bytt ut slangen dersom den er skadet. På grunn av det høye trykket den skal tåle, kan ikke slangen repareres dersom den er kuttet over eller skadet.
- Bruk utelukkende rengjøringsmidler som er laget for høytrykkssengjøring og følg instruksjonene på produktene nøye. Oppvask- eller klesvaskemidler er for tykke, og vil tette igjen dysene på lanser eller såpeblander/skumkanon.

- Beskytt øyne, luftveier og hud fra kontakt med rengjøringsmidler.
- **VIKTIG:** Oppbevar høytrykksvaskeren innendørs for å forhindre at vannet i maskinen ekspanderer i minusgrader. Når vannet fryser og ekspanderer, kan høytrykksvaskeren bli skadet og slutte å virke.
- Aldri bruk varmt vann (40°C+) i høytrykksvaskeren. Det vil forårsake overoppheting og skade høytrykkspumpen.
- Aldri forlat høytrykksvaskeren uten oppsyn når den er slått på.
- Skru alltid på vanntilførselen først, før du vrir på bryteren for å skru høytrykksvaskeren på. Ved å kjøre høytrykksvaskeren «tørr» risikerer du å skade de interne komponentene.
- Bruk aldri en vannforsyning inn i høytrykksvaskeren som overstiger 7 Bar maks.
- Koble aldri fra høytrykksslangen fra høytrykksvaskeren når det er trykk i systemet.
- Lås aldri fast pistolgrepet i en permanent inneklemt posisjon.
- Bruk aldri høytrykksvaskeren dersom ikke alle komponenter er korrekt og sikkert festet/sammenkoblet.
- La aldri høytrykkspumpen gå i mer enn et minutt etter at du har skrudd av vanntilførselen. Dette kan forårsake at motoren overoppheter og slutter å virke.
- Bruk aldri lanser eller tilbehør som ikke er spesifisert til å tåle høytrykksvaskerens angitte trykk.
- Rett aldri høytrykkspylereens vannstråle mot stikkontakter ol.
- Inspiser strømledningen før bruk. Ikke bruk denne dersom den er skadet.
- Hvis strømforsyningledningen er skadet, må denne byttes ut av produsentens serviceverksted eller tilsvarende kvalifiserte personer for å unngå sikkerhetsrisiko.



VIKTIG: Les bruksanvisningen nøye før du tar i bruk maskinen.

- La ikke barn bruke maskinen. Barn må holdes under oppsyn for å forhindre at de leker med høytrykksvaskeren.
- Såfremt det har blitt gitt veiledning og opplæring i sikker bruk, og brukeren forstår de involverte risikoene, kan maskinen brukes av personer med redusert fysisk, sanselig eller mental evne, eller mangel på erfaring og kunnskap
- Tilkoblet strømtuttak må være installert av en kvalifisert elektriker, og være tilstrekkelig spesifisert for maskinens oppgitte effekt. Det er anbefalt at strømtuttaket brukt til maskinen er sikret med en 30 mA jordfeilbryter.

- **ADVARSEL:** Denne maskinen er designet for bruk med rengjøringsmidler levert eller anbefalt av produsenten. Bruk av andre rengjøringsmidler kan påvirke driftssikkerheten av maskinen og dens tilbehør.
- **ADVARSEL:** Høytrykksvannstråler kan være farlige ved feil bruk. Strålen må aldri rettes mot mennesker, dyr, påslått elektrisk utstyr eller selve maskinen.
- **ADVARSEL:** Bruk ikke maskinen innenfor andres rekkevidde med mindre de har på seg verneutstyr.
- **ADVARSEL:** Rett aldri vannstrålen mot deg selv eller andre for å rengjøre tøy eller fottøy.
- **ADVARSEL:** Eksplosjonsfare – Aldri spill antennelige væsker.
- **ADVARSEL:** Høytrykksslanger, og koblinger er viktige for maskinens driftssikkerhet. Bruk kun slanger, deler og koblinger anbefalt av produsenten.
- **ADVARSEL:** For å forsikre trygg bruk, benytt kun originaldeler fra produsenten, eller godkjent av produsenten.
- **ADVARSEL:** Vann som har strømmet gjennom tilbakeslagsventiler, er ikke å anse som drikkevann.
- **ADVARSEL:** Maskinen må alltid kobles fra strømkilden, ved å trekke ut stikkkontakten, ved rengjøring eller vedlikehold, og hvis deler må skiftes ut.
- **ADVARSEL:** Ikke bruk maskinen dersom strømledningen eller andre viktige deler av maskinen er skadet, for eksempel sikkerhetsinnretninger, høytrykksslanger, eller pistol.
- **ADVARSEL:** Utilstrekkelige strømforsyninger kan være farlige. Dersom det blir benyttet en forlengelseledning, må denne være beregnet for utendørs bruk, og tilkoblinger må holdes tørre og over bakken. Det anbefales i tilfelle å bruke en slangetrommel som holder støpselet minimum 6 cm over bakken. Ta alltid ut all kabel fra en kabeltrommel.
- **ADVARSEL:** Slå alltid av maskinen når den står uten oppsyn.

Vedlikehold av et dobbelisolert apparat

- I et dobbelisolert apparat blir det benyttet to systemer for isolasjon, i stedet for jording. Jordingstilkobling er ikke inkludert i et dobbelisolert apparat, det skal heller ikke legges til apparatet.
- Service og vedlikehold av et dobbelisolert apparat krever stor forsiktighet og kjennskap til systemet, og bør bare utføres av kvalifisert servicepersonell. Reservedeler i et dobbelisolert apparat må være identiske til originaldelene. Et dobbelisolert produkt er markert med ordene « Double Insulation» eller « Double Insulated.»

Produktet kan også være merket med symbolet under.



Montering og klargjøring

Etter å ha åpnet kartongen, legg alle delene og tilbehøret utover. Gjør deg kjent med delene ved å sammenligne dem med forpakning og medfølgende illustrasjoner. Monter eventuelt løse deler som illustrert.

Vanntilkobling

Skru på medfølgende vanntilkobling med vannfilter som vist på Illustrasjon A. Bruk aldri en standard vannkobling uten filter. Monter din vannslange på vanntilkoblingen. Koblingen som medfølger passer til standard hurtigkobling for hageslange (Gardena) «Håndstrammet» er nok.

Høytrykkslangen

Sjekk at høytrykkslangen er uten synlige skader, og koble den til hunkobling på maskin, som vist i illustrasjon B

Koble den andre enden til høytrykkspistol, som vist i illustrasjon C. Den ene eller begge ender kan være ferdig tilkoblet fra fabrikk. Dersom begge ender ser lik ut, kan slangen kobles begge veier. Kontroller at slange går i lås, og sitter fast.

Høytrykkspistol

Når høytrykkspistol er festet til slangen, testes trigger og lås. Åpne for vanntilførsel på vannkran, og sjekk for lekkasje. Det skal ikke komme vann ut fra vanntilkobling, maskin, høytrykkslange eller høytrykkspistol.

Kontroller at barnesikring/sikkerhetslås fungerer, som vist på illustrasjon D. Det skal ikke være mulig å trykke inn trigger når låsen er påslått. Slå av låsen, og hold inne trigger til det kommer en jevn strøm med vann. Ikke slå på maskinen.

Høytrykksdyse, lanse og tilbehør.

Høytrykksvaskeren skal benyttes med tilbehør på høytrykkspistol. Alt tilbehør festes med bajonettkobling. Trykk dyse eller rør inn, vri mot klokken, og slipp. Kjenn etter at tilbehøret er festet. Se illustrasjon E

Alt tilbehør, med unntak av dyser som leverer punktstråle (som for eksempel turbodysen) kan festes på pistolen. Tilbehør som leverer en punktstråle (som for eksempel turbodysen) skal av sikkerhetsmessige grunner kun benyttes på medfølgende lanse, se figur F. Dette på grunn av krav til avstand mellom håndgrep og farlige vannstråler. Én eller flere av de avbildete landene medfølger som standard.

Test og oppstart

Koble til støpsel i godkjent kontakt. I den grad det er mulig, anbefaler vi å forlenge høytrykkslangen med en skjøteslange (medfølger ikke), fremfor å benytte skjøtekabel. Benyttes skjøtekabel skal denne være godkjent for utendørs bruk, og kabelens tverrsnitt skal være 1,5mm² på inntil 10 meter lengde, og 2,5mm² ved 10meter til 20 meters lengde. Bruk ikke lengre skjøtekabel enn 20 meter.

Sjekk at sikkerhetslåsen på pistolgrepet er påslått. Slå på maskinens hovedbryter, se illustrasjon G. Strømbryteren har internasjonale symboler for «av» og «på»: AV: (O) PÅ: (1) Maskinen vil nå avgi en kort motorlyd, og deretter stanse. Rett høytrykkspistol i sikker retning, slå av sikkerhetslåsen og trykk inn trigger. Maskinen vil nå starte, og det kan oppleves en markant rekyll/bevegelse fra pistolen. Hver gang triggeren slippes, skal maskinen stoppe i løpet av kort tid. Gjør deg kjent med de ulike høytrykksdysene, og vannstrålene de avgir. Forholdet mellom kraft, arbeidsbredde og virkemåte er forklart i illustrasjon H

Bruk av maskinen

Forhold deg til brukermanualens advarsler, og bruk sunn fornuft. Det er mange ulike oppfatninger av hva som kan vaskes med høytrykk, men vår erfaring er at sunn fornuft vil hjelpe deg godt.

Illustrasjon H og I forteller noe om muligheter og bruksområdene, men du bør også se vår nettside for mer informasjon. Husk at trykket avtar, og vaskebredden øker desto lengre ifra vaskeobjektet du beveger deg. Lås alltid pistolgrepet med sikkerhetsbryteren når du legger fra deg utstyret, og følg neste avsnitt for å pakke bort maskinen. Dersom du hører at motoren går i korte perioder når ikke avtrekkeren er klemt inn, er dette helt normalt. Pumpen klargjør seg selv, slik at den er klar til drift når avtrekkeren blir klemt inn. Slå av høytrykksvaskeren dersom den står ubrukt i mer enn 5 minutter.

Ikke trykk mange ganger hurtig på avtrekkeren, dette kan forårsake at total stopp systemet ikke fungerer som det skal, og at maskinen ikke slår seg på. Klem inn avtrekkeren langsomt og metodisk. O-ringene på bajonettene og forlengelseslanse bør rengjøres regelmessig og smøres med grease eller silikonbasert fett.

For bruk av utstyr kjøpt løst, eller som følger med som bonus tilbehør til din maskin, se AVA nettside: www.avaofnorway.com

Avslutte bruk og pakke bort maskinen

Når du avslutter arbeidsøkten gjør du følgende: Lås pistolgrepets sikkerhetsbryter. Slå av maskinens hovedbryter fra «1» til «O» og steng deretter vannet. Åpne sikkerhetsbryteren og slipp ut resterende høytrykk. Vær obs på at det fortsatt er et trykksatt system, så du må rette lansen i en ufarlig retning. Koble deretter av vannslangen og ta av dyse og rør fra pistolen. Trykk pistolgrepet inn på nytt. Noe vann kan renne ut av vannkoblingen på maskinen, og det kan fortsatt komme noe vann ut fra pistolen. Avslutt med å låse sikkerhetsknappen på pistolen. Trekk ut støpsel på strømledning fra stikkkontakten. Lagre maskin og tilbehør frostfritt. Dersom dette ikke er mulig, følg anvisning for frostsikring av høytrykkspyler på AVA nettside www.avaofnorway.com

Lykke til med din maskin. Vi håper du får mange års glede av maskinen enten du elsker å vaske, eller du virkelig hater det og bare vil bli ferdig raskest mulig. I begge tilfeller, har du gjort det beste valget med å kjøpe en AVA høytrykksvasker.

Generelle tips

- Det beste tipset først: Se www.avaofnorway.com for å lære mer om din høytrykkspyler, samt tips til arbeidsmetoder, bruk av tilbehør etc.
- Vask nedenfra og opp, slik at du lettere ser hva du har vasket, og ikke skyller bort vaskemiddel før du vasker. Skyll deretter ovenfra og ned. Gjelder stort sett uansett hva du vasker.
- Ikke varmbevar spyleren i nærheten av ovner eller andre varmekilder; det kan tørke ut pakningene i pumpen.
- Husk: Det vil alltid være noe vannrester igjen i maskinens pumpe. Vann som lagres og tørker ut over tid, kan avgi kalk og humus som setter seg på bevegelige deler i pumpen. En høytrykksvaskere som benyttes jevnlig vil normalt ha lengre levetid enn en som kun brukes en gang per år.
- Dersom maskinen skal lagres over lengre tid uten bruk, anbefalt vi at du følge AVA tips for langtidslagring på www.avaofnorway.com
- Filteret på innsiden av den vannkoblingen bør rengjøres med jevne mellomrom. Stikk en penn eller blyant inn i det minste hullet i enden av adapteren og dytt filteret ut. Skyll i rent vann, og sett det tilbake i adapteren.
- Se også gjerne den vedlagte brosjyren som vist tilgjengelig utstyr, og følg med på nett for nyheter som kan gi deg mer glede og flere bruksområder for din maskin.

Howdan unngå å skade overflater

Skade på overflater som vaskes oppstår på grunn av at slagkraften i vanntrykket overgår motstandskraften til overflaten. Treverk kan bli fliset opp, maling kan slites bort, etc. Du kan variere vaskekraften i høytrykkspyleren ved å justere: -vinkelen på vannstrålen mot underlaget som vaskes -avstanden fra dysen til underlaget som vaskes
Bruk aldri en smal høytrykkstråle på myke overflater som er sårbare for skader.

Utstyr fra andre høytrykkspylere

Dersom du ønsker å benytte tilbehør fra en annen høytrykkspyler eller produsent, skal du være oppmerksom på følgende:

- For at utstyr skal benyttes, må det ha samme bajonettkobling som AVA benytter. Sammenlign utstyr, og ikke prøv å feste utstyret dersom det er vesentlig annerledes av utseende.
- Lavtrykksutstyr, som for eksempel vaskebørste, felgbørste, kan benyttes uansett hvilken AVA du har kjøpt, så lenge adapteren kan festes på lansen.
- Høytrykksutstyr, som for eksempel Flatstråledyse, turbodyse, terrassevasker og tilsvarende har dyseeåpninger som er tilpasset maskinens effekt. Du kan derfor ikke blande utstyr mellom store og små maskiner. En grei kontroll på dette er å sammenligne wattstyrken på motoren til maskinene som tilbehøret er beregnet for. Hvis din gamle og din nye maskin begge er på 2.000 Watt, vil du normalt kunne benytte utstyr videre.
- Hvis maskinen «jager» (jobber støtvis) må utstyret ikke benyttes.

En del pistoler på markedet benytter samme slangekobling. Passer pistolen på slangen til din AVA maskin kan denne benyttes som adapter til annet tilbehør. Forhold deg likevel til informasjonen ovenfor, og husk at originalt AVA tilbehør alltid vil være det beste valget.

Feilsøking

| | |
|---|---|
| Maskinen vil ikke slå seg på. | Se til at strømbryteren står i av-posisjon. Sett støpselet inn i en 230 V stikkontakt uten å bruke skjøteledning. |
| Høytrykkslangen vil ikke kobles/sitter ikke fast i pistolen. Er dette et pistolgrepproblem? | I de fleste tilfeller er det ikke pistolgrepet som er problemet. Problemet kan være gummikappen som beskytter koblingen ved enden av slangen. Den har kanskje glidd opp mot metalltuppen. For å rette opp; vri og/eller trekke gummikappen ned, til hele metalltuppen er synlig, pluss litt av matalringen under selve koblingen. Forsøk nå å sette inn slangekoblingen i pistolen. Den skal feste seg med et klikk, og ikke løsne med mindre utløserknappen blir trykket inn. Du kan skjære bort enden av gummikappen med en skarp kniv dersom denne er umulig å flytte på, men vær da forsiktig slik at du ikke lager hull i selve slangen. |
| Maskinen går, men det kommer ikke ut vann. | Kontroller vannforsyningen. Rens dysen (se "Rengjøre dyser," side 18.) Ta av alt tilbehør og forsøk med bare pistolen; dette vil indikere om problemet ligger i dyser eller pistolgrep. |
| Det lekker i koblingen mellom høytrykkslange og pistolgrep | Kontroller at det sitter en o-ring på enden av metalltuppen på høytrykkslangen. Dersom o-ringen mangler, vil koblingen lekke. |
| Jeg får ikke lanser/dysen av pistolen? | Lansen/dysen settes på og taes av på samme måte. Sett bajonetten på lanser inn i pistolen. Press forsiktig sammen og vri mot klokken. Lanser vil låses fast. Ta av lanser i omvendt rekkefølge. Press lanser og pistol forsiktig sammen, og vri med klokken for å løsne lanser. Du kan også holde pistol og lanser loddrett med dyseenden mot gulvet. Dytt lett nedover for å løsne koblingene, og følg så demonteringsprosessen igjen. Det går også an å spraye litt såpevann eller smørning i området hvor lanser forbindes med pistolen. Husk å løsne/stramme låseringen i lanser mellom operasjonene! |
| Høytrykksvasker skrur seg på i 2 sekunder, så skrur seg av igjen. Har jeg en defekt maskin? | Nei, det høres ut som om høytrykksvasker virker som den skal. Når vannet er tilkoblet, tilbehøret er riktig montert og strømbryteren skrues på; vil maskinen gå i 1-2 sekunder for å klargjøre pumpen. Den skrur seg så automatisk av, i påvente av at pistolgrepet klemmes inn. Når pistolgrepet klemmes inn, får vannet strømme gjennom pumpen. Vannsensoren i pumpen merker at vannet strømmer, og skrur automaatisk på motoren. Du kan også forsøke å skrur maskinen av, holde inne pistolgrepet til du har en jevn vannstrøm. Skru maskinen på mens du fremdeles holder inne håndtaket. |

Dansk

Læs bruger- og sikkerhedsvejledningen igennem sammen med de øvrige vedlagte dokumenter, inden du tager apparatet i brug. Gem alle dokumenter til eventuel senere brug.

Introduktion

Tillykke med din nye højtryksrenser! Dette er et kraftfuldt apparat, som skal benyttes med omtanke. AVA benytter sig af godt ingeniørarbejde for at kunne levere effektive rensesubstanter. Du vil derfor måske opleve et mere effektivt apparat, end du er vant til. Udfør altid en rensetest på et mindre synligt område og gør dig selv bekendt med det forskellige tilbehør. Dit AVA-apparat indeholder altid en højtryksslange, højtrykssprøjetpistol, en lanse, en dyse og et specialbygget indløbsfilter med et forbindelsesled til en haveslange. Brug aldrig et normalt haveslangeforbindelsesled uden filter sammen med maskinen.

Hvis du har købt en udvidet pakke, kan der være ekstra tilbehør med. Se separat dokument med indholdsoversigt

Forklaring af symboler



ADVARSEL! Peg ikke strålen mod personer, dyr eller elektrisk udstyr.



ADVARSEL! Læs sikkerhedsvejledning, advarsel og råd om sikkerhed omhyggeligt.



Maskinen er ikke egnet til at tilsluttes drikkevandsforsyningen uden en tilbagestrømningsventil, med mindre vandtrykket er over 1 bar.



Læs manualen



Dobbeltisolering

Sikkerhedsvejledning, advarsler og råd om sikkerhed



For at undgå personskader og/eller ødelæggelse af ejendom, og for at maksimere din oplevelse med højtryksrens, beder vi dig læse de følgende råd om sikkerhed, instruktioner, advarsler og sikkerhedsvejledninger omhyggeligt. Sørg for at du er bekendt med alle kontroller. Vær sikker på, at du

ved, hvordan du hurtigt kan sænke trykket i alle dele af din højtryksrenser, og at du ved, hvordan du slukker for apparatet.

- Anvend altid beskyttelsesbriller for at undgå øjenskader, mens du bruger højtryksrenseren.
- Denne højtryksrenser er i overensstemmelse med CE og andre sikkerheds- og forbrugerstandarder. Lav ingen modificeringer eller ombygninger af din højtryksrenser.
- Anvend ikke din højtryksrenser, hvis du er påvirket af alkohol eller stoffer. Brug kun dette elværktøj, når du er frisk og klar i hovedet, og brug det altid med omtanke.
- Hold øje med din balance og dit fundament, når du bruger højtryksrenseren. Overflader bliver glatte, når de bliver våde, og bliver ekstra glatte, når der anvendes sæbe eller rensesubstanter.
- Brug aldrig højtryksrenseren med bare fødder, eller når du har sandaler eller åbne sko på. Sørg for at have beskyttende, lukkede sko eller støvler på.
- Ved anvendelse af højtryksrenseren i nærheden af børn, skal du altid sørge for, at der er en voksen til at holde øje med dem, så der ikke sker nogen skader. Lad aldrig et barn bruge højtryksrenseren.
- Hold fingre, hænder, fødder og dine andre kroppsdele væk fra højtryksvandstrålen. Den kraftige stråle kan medføre blindhed eller lave huller i huden. Vær ekstra opmærksom på glasoverflader, da vandstrålen kan knuse vinduer, hvis du er for tæt på vinduet, når du trykker på sprøjetipstolen.
- For at undgå uheld og skader så husk at aktivere håndtagets sikkerhedslås, når du ikke bruger højtryksrenseren, også selvom du kun holder en kort pause.
- Test altid overfladen for at være sikker på, at den kan tåle det høje tryk.
- Peg sprøjetipstolen i en sikker retning, når du starter en højtryksspuling.
- Når du anvender sprøjetipstolen første gang, så hold den og lansens med begge hænder for at undgå uheld eller skader, og brug sikkerhedslåsen, når du ikke bruger højtryksrenseren – også selvom det kun er for et kort øjeblik.
- Når du trykker på powerknappen for at slukke højtryksrenseren, kan der stadig være vandtryk i systemet. For at aflade trykket, peg sprøjetipstolen i en sikker retning og tryk på udløseren.
- Sprøjt aldrig på brændbare væsker.
- Anvend aldrig højtryksrenseren på områder med brændbart støv, væsker eller dampe.
- Undgå at højtryksslangen har kontakt med skarpe genstande, og tjek jævnligt slangen. Udskift den, hvis den er ødelagt. På grund af det høje tryk kan den ikke repareres og bruges, hvis den er ridset eller ødelagt.
- Brug kun rensesubstanter der er beregnet til

højtryksrensere og følg instruktionerne på flasken. Opvaske- eller vaskemiddel er for tykt til højtryksrenseren, og vil stoppe dysen til på lansen og beholder til rensediet.

- Beskyt øjne, lunger og hud mod kontakt med rensediet.
- **VIGTIGT:** Opbevar højtryksrenseren indendøre, så du undgår, at vandet i højtryksrenseren udvider sig under frost. Hvis vandet fryser til og udvider sig, vil det ødelægge højtryksrenseren, så den ikke længere kan bruges.
- Brug aldrig varmt vand i din højtryksrenser (40°C+). Det vil få den til at overophede og vil ødelægge højtrykspumpen.
- Lad aldrig højtryksrenseren stå tændt uden opsyn.
- Tænd altid for vandforsyningen, inden du tænder for højtryksrenseren. At lade pumpen løbe tør kan skade de interne komponenter.
- Brug aldrig vandforsyning til din højtryksrenser på over 7 bar.
- Frakobl aldrig din højtryksrenser, mens systemet er under tryk.
- Hold aldrig udløseren på sprøjtepipstolen permanent inde.
- Anvend aldrig højtryksrenseren uden at have tjekket, at alle komponenter er tilsluttet ordentligt og sikkert.
- Lad aldrig pumpen i højtryksrenseren køre i mere end et minut, efter du har slukket for vandforsyningen. Det kan få motoren og pumpen til at overophede og svigte.
- Brug kun lanser og tilbehør, der er specificeret til at kunne klare maskinens vandtryk.
- Spray aldrig på stikkontakter med din højtryksrenser.
- Tjek ledningen inden brug. Brug den ikke, hvis den er i stykker.
- Hvis ledningen er i stykker, skal den udskiftes af producenten, forhandleren eller en anden kvalificeret person for at undgå fare.



ADVARSEL: Læs vejledningen inden brug af maskinen.

- Maskinen skal ikke bruges af børn. Børn skal altid være under opsyn for at sikre, at de ikke leger med maskinen.
- Apparatet kan anvendes af personer med mindske fysiske, sansemæssige og mentale evner, hvis de er under opsyn og har fået den nødvendige indføring i brug af maskinen, så de ved, at de skal være forsigtige, og kender de mulige farer.
- Strømtilslutning skal udføres af en uddannet elektriker og skal være i overensstemmelse

med specifikationerne for højtryksrensere. Det anbefales, at strømforsyningen til maskinen inkluderer enten en reststrømsanordning, der vil afbryde strømforsyningen, hvis lækagestrøm til jord overstiger 30 mA ved 30 ms, eller et andet apparat, der kan påvise jordbundethed.

- **ADVARSEL:** Denne maskine er designet til brug af rensediet fra eller anbefalet af producenten. Anvendelsen af andre rensedier eller kemikalier kan påvirke sikkerheden af maskinen negativt.
- **ADVARSEL:** Højtryksvandstråler kan være farlige, hvis de bruges forkert. Vandstrålen må ikke rettes mod mennesker, tilsluttet elektronisk udstyr eller selve maskinen.
- **ADVARSEL:** Anvend ikke maskinen i nærheden af mennesker, med mindre de har beskyttelsestøj på.
- **ADVARSEL:** Ret ikke vandstrålen mod dig selv eller andre for at rengøre tøj eller sko.
- **ADVARSEL:** Eksplosionsfare – Spray ikke mod brændbare væsker.
- **ADVARSEL:** Højtryksslanger, fittings og koblinger er vigtige for maskinens sikkerhed. Anvend kun slanger, fittings og koblinger, der er anbefalet af producenten.
- **ADVARSEL:** For at sikre maskinens sikkerhed skal du kun anvende originale reservedele fra producenten eller anbefalet af producenten.
- **ADVARSEL:** Vand der er løbet igennem tilbagestrømningsventiler kan ikke drikkes.
- **ADVARSEL:** Maskinen skal frakobles strømforsyning ved at fjerne stikproppen fra stikkontakten, mens dens renses eller får udskiftet reservedele.
- **ADVARSEL:** Anvend ikke maskinen, hvis strømledningen eller andre vigtige dele af maskinen er beskadiget, fx sikkerhedsenheder, højtryksslange eller udløserpistol.
- **ADVARSEL:** Uegnede forlængerledninger kan være farlige. Hvis en forlængerledning anvendes, skal den være godkendt til udendørs brug, og fatningen skal holdes tør og væk fra jorden. Det anbefales, at man bruger en ledningsrulle, som holder fatningen minimum 60 mm fra jorden.
- **ADVARSEL:** Sluk altid for kontakten, når du lader maskinen stå uden opsyn.

Service af et dobbeltisoleret apparat

I et dobbeltisoleret apparat er der isoleringssystemer i stedet for jordforbindelse. Jordforbindelsesdele følger ikke med et dobbeltisoleret product, ligesom at de heller ikke skal anvendes sammen med produktet. Service af et dobbeltisoleret produkt kræver stor forsigtighed og kendskab til systemet, hvorfor det altid kun skal udføres af uddannede servicefolk.

Reserve dele til et dobbeltisoleret produkt skal være identiske med de originale dele. Et dobbeltisoleret produkt er mærket med ordene "dobbelt isoleret" ("Double Insulation" eller "Double Insulated"). Produktet kan også være mærket med nedenstående symbol.



Instruktioner til udpakning & klargøring

Efter at have pakket HØJTRYKSENSEREN ud kan du lægge de forskellige dele og tilbehør foran dig. Gør dig bekendt med delene i pakken ved at sammenligne dem med dem, der er listet på æsken og beskrevet i de medfølgende dokumenter. Hvis noget skal samles, så følg de medfølgende monteringsinstruktioner.

Vandindløb

På sæt det medfølgende vandindløbsfilter som vist på illustration A. Det er tilstrækkeligt at stramme det fast med hånden. Anvend aldrig et standard indløbsstik uden vandfilter. Sæt din haveslange til filterstikket. Det medfølgende vandfilter passer til alle standard haveslanger. (Gardena).

Højtrykslange

Tjek at der ikke er synlige skader på højtryksslangen og tilslut den til hunstikket på maskinen, som vist på illustration B. Tilslut slangens anden ende med højtrykspistolen som vist på illustration C. Et eller begge af disse forbindelsesled er måske allerede samlet fra fabrikken. Hvis begge ender ser ens ud, så kan slangen bruges begge veje. Sørg for at slangen klikker på plads og er ordentligt fastgjort.

Sprøjtepistol

Når højtrykspistolen er koblet til slangen, skal du teste udløser og sikkerhedslås. Åben vandudledningsventilen, der går ind i maskinen og tjek, at der ikke er utætheder. Der skal ikke kunne komme noget vand ud fra indløbsstikket, maskinen, højtryksslangen eller højtrykspistolen. Kontroller at sikkerhedslåsen/børnesikringen virker som vist i illustration D. Det skal ikke være muligt at trykke udløseren ind, når sikkerhedslåsen er aktiveret. Deaktiver sikkerhedslåsen og tryk på udløseren, indtil der kommer en jævn vandstråle fra pistolen.

Sprøjtepistol, lanse og tilbehør

Højtryksrensere kan anvendes med forskelligt tilbehør på sprøjtepistolen. Alle tilbehørsdele sættes på ved hjælp af et bajonetforbindelsesled. Skub bajonetenden ind i hun- bajonetforbindelsesledet, drej med uret, 22

og giv slip. Kontroller at tilbehøret sidder sikkert fast. Se også illustration E. Alt tilbehør, med undtagelse af tilbehør der bruger knivskarpe dyser (fx turbodysen), kan sættes direkte på sprøjtepistolen. Af sikkerhedsmæssige grunde skal tilbehør med knivskarpe dyser kun anvendes sammen med de(n) inkluderede lanse(r), se figur F. Det skyldes sikkerhedsreglerne, som kræver, at der er en minimum afstand mellem håndtag og skadelige vandstråler. En eller flere af de dyser, der er afbildet, følger med som standardudstyr.

Test og opstart

Tilslut strømkablet i en godkendt stikkontakt. Hvor det er muligt, anbefaler AVA, at man bruger en trykslangeforlængerledning (medfølger ikke) i stedet for en almindelig forlængerledning. Hvis en forlængerledning anvendes, skal den være godkendt til udendørs brug og have et tværsnit på minimum 1,5 mm² ved en 10 meter ledning, og minimum 2mm² ved 10 til 20 meter ledninger. Anvend aldrig en ledning på mere end 20 meter. Tjek at sikkerhedslåsen er aktiveret på udløseren. Tænd for maskinen ved at dreje startknappen over på "1", se illustration G. Maskinen har internationale symboler - "0" for off, og "1" for on. Maskinen skal komme med en kort motorlyd og stoppe hurtigt efter. Peg sprøjtepistolen i en sikker retning, slå sikkerhedslåsen fra og tryk på udløseren. Maskinen vil nu starte, og du kan opleve at blive trykket let tilbage af pistolen. Hver gang udløseren slippes, vil maskinen hurtigt stoppe. Gør dig bekendt med de forskellige trykdyser og vandstråler. Forholdet mellem strøm, arbejdsområde og afstand er forklaret med illustration H.

Brugerinstruktioner

Husk advarsler og hvad du har læst i brugermanualen og brug din sunde fornuft. Der er forskellige holdninger til, hvad der kan renses ved højt tryk, men vores erfaring er, at med sund fornuft kommer du langt. Illustrationerne H og I viser nogle af de muligheder og anvendelsesområder højtryksrensere kan bruges til. Du kan læse mere på vores hjemmeside. Husk at vandskraften mindskes jo større afstanden er til overfladen. Husk altid at slå sikkerhedslåsen til, når du ikke holder højtrykspistolen, og følg altid instruktionerne til "efter brug" inden du stiller maskinen væk. Det er helt normalt, at motoren starter kort. Det er pumpen, der klargør sig selv til, at der trykkes på sprøjtepistolen. Sluk for trykvasken, hvis apparatet anvendes i perioder på under 5 minutter. Tryk ikke på udløseren flere gange hurtigt efter hinanden, da dette kan forårsage, at systemet går i stykker. Tryk

langsomt og metodisk på udløseren. O-ringene inde i bajonetter og forlængerlanser skal jævnlige renses og smøres med fedt eller silikonebaseret smøremiddel.

For yderligere instruktioner vedrørende ekstratilbehør – købt separat eller sendt som gavebesøg AVAs hjemmeside: www.avaofnorway.com

Afbryd brugen og opbevaring

Når du er færdig med at bruge maskinen, skal du gøre følgende: Aktiver sikkerhedslåsen på sprøjtepistolen. Sluk ved at dreje knappen fra 1 over på 0, og sluk for vandhanen. Slå sikkerhedslåsen fra og tryk på udløseren for lette det resterende højtryk. Vær opmærksom på at systemet stadig er under højt tryk og sprøjt altid i en sikker retning. Kobl haveslangen fra og afmonter dyse og/eller lanse fra sprøjtepistolen. Tryk på udløseren en gang mere. Der kan være vand, der kommer ud af vandindløbsforbindelsesledet eller pistolen. Afslut med at slå sikkerhedslåsen til på sprøjtepistolen og tag strømmen ud af stikkontakten.

Opbevar maskinen og tilbehør et sted, hvor der ikke er risiko for minusgrader. Hvis dette er en udfordring, så følg instruktionerne til hvordan du beskytter din maskine mod frost på AVAs hjemmeside: www.avaofnorway.com

God fornøjelse med din nye højtryksrensere. Vi håber, at den vil levere tilfredsstillende resultater i de næste år, hvad enten du elsker at gøre rent, eller du blot ønsker at få tingene gjort hurtigt. I begge tilfælde har du taget en god beslutning ved at købe en AVA maskine.

Generelle råd

- Det bedste råd, vi kan give dig, er at besøge vores hjemmeside www.avaofnorway.com for at lære mere om din højtryksrensere, hvad angår teknik, tilbehør mv.
- Rens altid fra bunden og opfejer. Så kan du tydeligt se, hvor du har rensset. Samtidig sikrer det, at du ikke fjerner rensmidler, før du rens. Til slut skal du rense oppefra og ned. Det gælder næsten alt, du gerne vil rengøre.
- Opbevar ikke højtryksrenseren i nærheden af varmelamper eller andre varmekilder, da det kan medføre, at pakninger inde i pumpen udtørre.
- Husk: Der vil altid være vandrester tilbage i pumpen. Vand der tørre ud over tid kan medføre kalk- og humusaflejringer i de bevægelige dele af pumpen. En højtryksrensere der rengøres jævnlige, holder længere end en, der kun bruges en gang om året.
- Hvis maskinen skal opbevares over længere perioder uden at blive brugt, så anbefaler vi, at du

følger vejledningen til langtidsofopbevaring, som du finder på www.avaofnorway.com

- Filteret i vandindløbsstikket skal rengøres jævnlige. Tryk en blyant eller kuglepen ind i den mindste åbning i det løsgjorte stik og skub filteret ud. Rens med rent vand og sæt sammen igen.
- Gør dig bekendt med al dokumentation i æsken, og tjek løbende www.avaofnorway.com, hvis du er interesseret i produktnyheder og nyt tilbehør til din højtryksrensere.

Sådan undgår du at ødelægge overflader

Ødelagte overflader på grund af rensning kan ske, da vandtrykket er så højt, at det overstiger slidstyrken af overfladen. Rent træ kan blive gennemboret og maling kan skalle af mv. Du kan justere styrken af din højtryksrensere ved at styre: - retnings af vandstrålen på overfladen, der skal renses - afstanden fra dysen til overfladen, der skal renses
Anvend aldrig en tynd, højtryksvandstråle fra lansen på bløde og skrøbelige overflader.

Udstyr fra 3. part

Hvis du vil anvende udstyr fra en anden højtryksrensere eller en anden producent, skal du være opmærksom på følgende:

- For at tilbehør kan passe til renseren skal det være tilpasset med den samme bajonetforbindelse, som AVA bruger. Sammenlign tilbehøret, og prøv aldrig at montere udstyr, der tydeligt ser anderledes ud.
- Lavtryksudstyr, som fx vandbørster, kantbørster etc. kan bruges til alle AVA-modeller, så længe bajonetaadapteren kan sættes på lansen.
- Højtryksudstyr, som fx faste dyser, roterende dyser, terrasserensere etc. har alle dyseåbninger, som er tilpasset maskinspecifikationer. Det er derfor vigtigt ikke at blande tilbehør til maskiner med forskellige specifikationer. En generel regel er at sammenligne maskinens watt-specifikation med den watt-specifikation, som gælder den maskine, du har tænkt dig at bruge. Hvis de er næsten ens, kan du som regel bruge udstyret.
- Hvis maskinen pulser (tænder og slukker hurtigt, mens den sprayer), så kan du ikke anvende tilbehøret.

Nogle sprøjtepistoler bruger det samme slangeforbindelsesled som AVA. Hvis en sprøjtepistol passer til slangen på din AVA højtryksrensere, så kan den anvendes som adapter til andet tilbehør. Du skal fortsat følge de ovenstående retningslinjer, og det er altid bedst at vælge originalt AVA tilbehør.

FEJLFINDING OG FAQS

| | |
|--|--|
| Enheden vil ikke starte. | Sørg for at højtryksrenser står på "OFF/0". Tilslut ledningen til et 230 volt jordforbundet stik (anvend ikke en forlængerledning). |
| Højtryksslangen (HP) vil ikke forbinde/forblive forbundet med sprøjtepipistolen. Er der noget i vejen med sprøjtepipistolen? | I de fleste tilfælde er der ikke noget i vejen med sprøjtepipistolen. Problemet er gummistykket, der dækker fittingen i enden af højtryksslangen. Dette kan have rykket sig op mod metalspidsen. Løsning: drej, vrik og/eller træk i gummistykket, indtil du kan se hele metalspidsen og en 1/8" af metalstykket under spidsen. Prøv nu at indsætte endestykket af slangen i sprøjtepipistolen. Den bør "klikke" sig på plads og kan ikke løsnes, uden at slangen frigøres ved at trykke håndtaget på pistolens underside ind. Du kan skære enden af gummistykket af med en skarp kniv, hvis du ikke kan skubbe gummistykket ned. Pas på at du ikke skærer eller laver huller i slangen. |
| Enheden er tændt men vandet løber ikke til. | Tjek vandtilslutningen. Rens dyse på lansen. (Se instruktionerne for rensning af dyse under "Rensning af dyse".) Eller tag lansen af og spray med sprøjtepipistolen alene. Dette vil indikere, om der er noget i vejen med lansen eller sprøjtepipistolen. |
| Hvorfor drypper det med vand, der hvor højtryksslangen er forbundet med sprøjtepipistolen? | Tjek at der sidder en o-ring i enden af metalstykket på højtryksslangen. Uden en o-ring vil det lække mellem slange og pistol. |
| Jeg kan ikke fjerne lansen fra sprøjtepipistolen. Hvad skal jeg gøre? | Lansen monteres og aftages fra sprøjtepipistolen på samme måde. Indsæt lansen med quick-release enden i sprøjtepipistolen. Pres sprøjtepipistolen og lansen sammen (ca. 1/8") og drej med uret. Lansen vil låse sig på plads. Lansen fjernes ved at udføre den samme procedure omvendt. Pres sprøjtepipistol og lanse sammen og drej mod uret. Lansen vil glide ud. Eller, hold sprøjtepipistol oprejst med dysen mod gulvet. Skub samlingen lige ned for at løsne delene fra hinanden, og gentag aftagelsesprocessen. Du kan også spraye med sæbevand eller smøremiddel, der hvor lansen er forbundet med sprøjtepipistolen. Husk at løsne/stramme kraven på lansen mellem brug! |
| Højtryksrenser er tændt i 2 sekunder, hvorefter den slukker og ikke tændes igen. Er enheden i stykker? | Nej, det lyder som om højtryksrenser virker fint. Når vandet er forbundet, delene er rigtigt samlet og powerknappen er tændt, vil højtryksrenseren starte i 1-2 sekunder for at klargøre pumpen. Den slukker automatisk og venter på, at der trykkes på udløseren. Når der er trykket på udløseren, vil vandet begynde at løbe igennem pumpen. Vandsensoren i pumpen mærker vandet, der bevæger sig, og tænder automatisk for højtryksrenseren. Du kan også dreje powerknappen over på off (0), hold udløseren på sprøjtepipistolen inde, så du får en jævn strøm af vand. Mens du holder udløseren inde på sprøjtepipistolen, tænder du for højtryksrenseren ved at dreje over på on/(1). |

Svenska

Läs dessa användnings- och säkerhetsinstruktioner tillsammans med andra medföljande dokument innan enheten används första gången. Behåll alla dokument för framtida hänvisningar.

Introduktion

Grattis till din nya högtryckstvätt! Den här apparaten är ett kraftfullt verktyg och måste hanteras med försiktighet. AVA använder smart teknik för att förbättra rengöringseffektiviteten, och du kan uppleva en högre effektivitetsnivå än på jämförbara apparater som du tidigare har provat. Utför alltid ett rengöringstest på ett område som är mindre synligt och bekanta dig med de medföljande tillbehören. Din AVA-apparat innehåller alltid en högtrycksslang, högtryckspistol, en lans, ett munstycke och ett specialbyggt inloppsfilter med en kontakt för trädgårdsslang. Använd aldrig en vanligt trädgårdsslang-kontakt utan filter direkt på maskinen. Om du har köpt en utvidgad bunt kan det finnas ytterligare tillbehör. Innehållet i leveransen beskrivs i ett separat dokument.

Förklaring av symboler



WARNING! Rikta inte mot personer, djur eller elektrisk utrustning



WARNING! Läs säkerhetsåtgärder, varningar och säkerhetstips noggrant.



Maskinen är inte lämplig för anslutning till dricksvattenledning utan återflödesventil, såvada vattentrycket inte överstiger 1 bar.



Läs handboken



Dubbel isolering

Skyddsåtgärder, varningar och säkerhetstips



För att undvika personskador och/eller skador på egendom och för att maximera din upplevelse av högtryckstvätten, följ alla säkerhetstips, instruktioner, varningar och skyddsåtgärder noga och bekanta dig med alla kontroller. Se till att du vet hur du snabbt kan avlufta trycket från alla delar av din högtryckstvätt och hur du stänger av högtryckstvätten.

● Använd alltid ögonskydd för att förhindra skador på ögonen när du använder högtryckstvätten.

● Denna högtryckstvätt överensstämmer med CE- och andra säkerhets- och konsumentstandarder. Ändra eller återuppbygg inte någon del av din högtryckstvätt.

- Använd inte din högtryckstvätt när du är påverkad av alkohol eller droger. Använd detta elverktyg med försiktighet och endast när du är uppmärksam.
- Var uppmärksam över din balans och fotfäste när du använder din högtryckstvätt. Ytorna blir hala när de är våta och är extra hala när du använder tvättmedel eller rengöringsmedel.
- Använd aldrig högtryckstvätten när du bär sandaler eller skor med öppna tår. Var noga med att använda skyddade heltäckta skor eller stövlar.
- När du använder högtryckstvätten nära barn ska du se till att de övervakas noggrant av en vuxen för att undvika skada. Låt aldrig ett barn använda högtryckstvätten.
- Håll fingrar, händer, fötter och delar av kroppen ifrån strålen från högtryckstvätten. Den kraftfulla sprayen kan orsaka blindhet eller hål i huden. Var uppmärksam nära glasytor, eftersom det höga trycket kan ta sönder ett fönster om du är för nära när du trycker av strålen.
- För att undvika olyckor eller personskador, använd alltid avtryckarens säkerhetslås när du inte använder högtryckstvätten även om strålen stannar bara för ett ögonblick.
- Testa alltid ytan så att den inte skadas med högt tryck.
- Rikta sprutpistolen i en säker riktning när du påbörjar en tvättning.
- Håll sprutpistolen och lansens med två händer först när du använder sprutpistolen för att undvika olyckor eller skador. Använd alltid säkerhetslåset på avtryckaren när du inte använder högtryckstvätten även om strålen stannar för bara ett ögonblick.
- När du trycker på strömbrytaren för att stänga av högtryckstvätten kan vattentrycket kvarstå i systemet. För att lossa trycket, peka sprutpistolen i säker riktning och dra i avtryckaren.
- Spruta aldrig lättantändliga vätskor.
- Använd aldrig högtryckstvätten i områden som innehåller brännbart damm, vätskor eller ångor.
- Undvik att få kontakt med tryckslangen med vassa föremål och undersök slangen regelbundet. Ersätt om det är skadat. - På grund av det höga trycket kan den inte repareras om den har skurits eller är skadad.
- Använd endast tvättmedel som är specifikt formulerat för högtryckstvättar och följ instruktionerna på tvättmedlets etikett. Tvål för disk eller kläder är för tjock och kommer täppa igen munstycket på din lans och flaskan för rengöringsmedlet.

● Skydda ögon, lungor och hud från exponering för rengöringsmedlet.

● **VIKTIGT:** Förvara högtryckstvätten inomhus för att förhindra att vattnet i enheten inte expanderar under minusgrader. När vattnet fryser och expanderar kommer din högtryckstvätt att skadas och bli obrukbar.

● Använd aldrig varmvatten med din högtryckstvätt(40°C+). Den kommer att överhettas och skada den högtryckspumpen.

● Lämna aldrig högtryckstvätten utan tillsyn medan den är påslagen.

● Slå alltid på vattentillförseln "on" innan du slår på strömmen till högtryckstvätten "on". Att köra pumpen tills den är torr kan orsaka skador på de inre komponenterna.

● Använd aldrig en vattenförsörjning som överstiger 7 bar till din högtryckstvätt.

● Koppla aldrig bort högtrycksslangen från högtryckstvätten medan systemet är trycksatt.

● Koppla aldrig i utlösningmekanismerna permanent på sprutpistolen.

● Använd aldrig högtryckstvätten förrän alla komponenter är korrekt anslutna.

● Låt aldrig pumpen på högtryckstvätten gå i mer än en minut efter att du har stängt av vattenförsörjningen. Detta kan leda till att motorn och pumpen överhettas och går sönder.

● Använd endast lanser och tillbehör som är specificerade för att motstå maskinens vattentryck.

● Spruta aldrig mot ett eluttag med din högtryckstvätt.

● Kontrollera strömsladden innan du använder den. Använd den inte om den är skadad.

● Om strömsladden är skadad måste den bytas ut av tillverkaren, dess serviceagent eller liknande kvalificerade personer för att undvika fara.



WARNING: Läs instruktionerna innan maskinen används.

● Maskinen bör inte användas av barn. Barn bör övervakas för att se till att de inte leker med maskinen.

● Apparaten kan användas av personer med nedsatt fysisk, sensorisk eller mental kapacitet eller brist på erfarenhet och kunskap, om de har fått övervakning eller instruktioner om användning av apparaten på ett säkert sätt och förstår de faror som är inblandade.

● Elanslutningen måste göras av en behörig elektriker och följa högtryckstvättens specifikationer. Det rekommenderas att den elektriska tillförseln till denna maskin inkluderar antingen en jordfelsbrytare som kommer att avbryta

matningen om läckströmmen till jorden överstiger 30 mA i 30 ms eller en anordning som bevisar jordkretsen.

● **WARNING:** Denna maskin har utformats för användning med rengöringsmedel som tillhandahålls eller rekommenderas av tillverkaren. Användning av andra rengöringsmedel eller kemikalier kan påverka maskinens säkerhet negativt.

● **WARNING:** Högtrycksstrålen kan vara farliga om de är föremål för missbruk. Strålen får inte riktas mot personer, elektriskt utrustning eller själva maskinen.

● **WARNING:** Använd inte maskinen i närheten av människor om de inte bär skyddskläder.

● **WARNING:** Rikta inte strålen mot dig själv eller andra för att rengöra kläder eller skor.

● **WARNING:** Risk för explosion – Spruta inte mot lättantändliga vätskor.

● **WARNING:** Högtrycksslangar, anslutningar och kopplingar är viktiga för maskinens säkerhet. Använd endast slangar, anslutningar och kopplingar som rekommenderas av tillverkaren.

● **WARNING:** För att säkerställa maskinsäkerhet, använd endast originaldelar från tillverkaren eller delar som är godkända av tillverkaren.

● **WARNING:** Vatten som har runnit genom återflödesventiler anses vara icke drickbart.

● **WARNING:** Maskinen ska kopplas bort från strömkällan genom att ta ut kontakten från uttaget under rengöring eller underhåll och vid byte av delar.

● **WARNING:** Använd inte maskinen om en strömsladd eller viktiga delar av maskinen är skadade, t.ex. säkerhetsanordningar, högtrycksslangar, avtryckare.

● **WARNING:** Bristfälliga förlängningssladdar kan vara farliga. Om en förlängningssladd används ska den vara lämplig för utomhusbruk och anslutningen måste hållas torr och från marken. Det rekommenderas att detta utförs med hjälp av en sladdrulle som håller uttaget minst 60 mm över marken.

● **WARNING:** Stäng alltid av strömbrytaren när du lämnar maskinen utan tillsyn

Service av en dubbelisolerad apparat

● I en dubbelisolerad produkt tillhandahålls två isoleringssystem istället för jordning. Jordning tillhandahålls inte för en dubbelisolerad produkt, det bör inte heller läggas till produkten.

● Service av en dubbelisolerad produkt kräver extrem omsorg och kunskap om systemet och bör endast utföras av kvalificerad servicepersonal.

● Ersättningsdelar för en dubbelisolerad produkt

måste vara identiska med originaldelarna. En dubbelisolerad produkt är märkt med orden "Double Insulation" eller "Double Insulated". Produkten kan också märkas med symbolen som visas nedan



Instruktioner för att packa upp och förbereda

Efter att du har packat upp högtryckstvätten, lägg ut delarna och tillbehören. Bekanta dig själv med delarna i paketet genom att jämföra dem med dem som förtecknas i rutan och bifogade dokument. Om montering krävs, se bifogade monteringsanvisningar

Vatteninloppsanslutning

Fäst det medföljande vatteninloppsfiltret som visas i bild A, för hand räcker. Använd aldrig ett standardinloppskontakt utan vattenfilter. Fäst trädgårdsslangen till filterkontakten. Det medföljande vattenfiltret passar vanliga snabbkontakter för trädgårdsslangar (Gardena).

Högtrycksslang

Se till att det inte finns några synliga skador på högtrycksslangen och anslut den till honkontakten på maskinen som visas i bild B. Anslut den andra änden till högtryckspistolen som visas i bild C. En eller båda dessa anslutningar kan redan ha anslutats från fabriken. Om båda ändarna ser likadana ut kan slangens användas i endera riktning. Se till att slangens klickar på plats och är säkert fastsatt.

Högtryckspistol

Testa avtryckaren och säkerhetslåset när du har anslutit tryckpistolen till slangens. Öppna vattenutloppsventilen som går in i maskinen och se till att det inte finns några läckor. Inget vatten ska kunna undkomma vatteninloppsanslutningen, maskinen, högtrycksslangen eller högtryckspistolen. Se till att säkerhetslåset/barnlåset fungerar, som visas i bild D. Det bör inte vara möjligt att pressa avtryckaren medan säkerhetslåset är inkopplat. Lås upp säkerhetslåset och pressa ner avtryckaren tills det kommer en stadig och jämn vattenstråle från pistolen.

Sprutpistol, lans och tillbehör

Högtryckstvätten är avsedd att användas med tillbehör monterade på tryckpistolen. Alla tillbehör är bifogade med hjälp av en bajonettkontakt. Tryck in bajonettänden i den kvinnliga bajonettkontakten, vrid motsols och släpp. Se till att tillbehöret är fäst ordentligt. Se

illustration E. Alla tillbehör, med undantag för tillbehör som använder stiftpunktsmunstycken (till exempel turbo-munstycket) kan fästas direkt på pistolen. av säkerhetsskäl ska tillbehör som använder stiftpunktsmunstycken (till exempel turbo-munstycket) endast användas med inkluderade lanser, se figur F. Detta beror på säkerhetsföreskrifter som dikterar ett minimumavstånd mellan handtag och skadliga vattenstrålar. Ett eller flera av de avbildade munstyckena ingår som standard.

Test och start

Anslut strömkabeln till ett godkänt eluttag. AVA rekommenderar så långt det är möjligt att använda en tryckslangförlängning (ingår inte) snarare än att använda en strömkabelförlängning. Om en förlängningssladd används måste den vara godkänd för utomhusbruk, och tvärsnittet på sladden måste vara minst 1,5 mm² på upp till en 10m sladd och minst 2 mm² från 10 m till 20 m sladdar. Använd aldrig ett sladd som överstiger 20m. Se till att säkerhetslåset på avtryckaren är insatt. Vrid strömbrytaren på maskinen till "1", se bild G. Maskinen har internationella symboler "0" för av och "1" för på. Maskinen bör ge ifrån sig ett kort motoriskt ljud och snabbt sluta. Rikta tryckpistolen i en säker riktning, koppla ur säkerhetslåset och pressa ner avtryckaren. Maskinen kommer nu att starta och det kan finnas en märkbar motreaktion/rörelse i pistolen. Varje gång avtryckaren släpps bör maskinen stanna snabbt.

Bekanta dig med de olika tryckmunstyckena och vattenstrålarna de levererar. Förhållandet mellan kraft, arbetsområde och avstånd förklaras i illustration H.

Bruksanvisning

Tänk på bruksanvisningen, varningarna och använd sunt förnuft. Det finns olika åsikter om vad som kan rengöras med högt tryck, men av vår erfarenhet kommer sunt förnuft att ta dig långt. Illustrationen H och jag visar några av möjligheterna och användningsområdena, men vi rekommenderar att du besöker vår webbplats för mer information. Kom ihåg att vattenkraften minskar medan kontaktområdet ökar med större ytavstånd. Kom ihåg att alltid koppla in säkerhetslåset när du inte håller i tryckpistolen, och följ instruktionerna "efter användning" innan maskinen förvaras. Om motorn slås på under korta perioder är detta helt normalt. Pumpen förbereder sig själv så att den är redo att användas när tryckpistolens avtryckare pressas ner. Stäng av högtryckstvätten om den inte används under längre perioder än 5 minuter. Tryck inte på avtryckaren flera gånger i följd, eftersom det kan

leda till att det totala stoppsystemet slutar fungera. Pressa avtryckaren långsamt och metodiskt. O-ringarna inuti bajonetten och förlängningslansen bör rengöras regelbundet och smörjas med fett eller silikonbaserat smörjmedel. För instruktioner om extra tillbehör - köpta separat eller bonusartiklar, gå till AVA:s webbplats: www.avaofnorway.com

Förpackning och förvaring

När du är klar med maskinen ska du göra följande: Koppla in säkerhetsbrytaren på tryckpistolen. Vrid strömbrytaren på maskinen från 1 till 0 och stäng av vattenflödet från kranen. Koppla ur säkerhetsbrytaren och tryck på avtryckaren för att släppa återstående högtryck. Var medveten om att systemet fortfarande är trycksatt upp till denna punkt, och se till att rikta strålen i en säker riktning. Koppla bort trädgårdsslangen och lossa munstycket och/eller lansen från pistolen. Pressa avtryckaren igen. Lite vatten kan komma ut ur vatteninloppsanslutningen eller pistolen. Avsluta genom att koppla in säkerhetsbrytaren på pistolen och koppla bort strömkontakten. Förvara maskinen och tillbehören i en miljö som inte har någon risk för frysningstemperaturer. Om detta är en utmaning, följ instruktionerna för frysskydd på maskinen på AVA:s webbplats: www.avaofnorway.com

Lycka till med din nya högtryckstvätt. Vi hoppas att den kommer att ge tillfredsställelse under många år framöver, längtan älskar du städning eller så vill du få saker gjort snabbt. I båda fallen har du tagit det bästa beslutet att köpa en AVA.

Allmänna tips

- För det första är det bästa råd vi kan ge att besöka www.avaofnorway.com för att lära dig mer om din högtryckstvätt, såväl som tekniker, tillbehör etc.
- Rengör nerifrån och upp. Detta hjälper dig att se vad du har rengjort och säkerställer att du inte sköljer bort rengöringsmedel innan du faktiskt rengjort. Skölj slutligen uppifrån och ner. Detta tips gäller nästan för allt du vill rengöra.
- Förvara inte högtryckstvätten i närheten av element eller andra värmekällor, eftersom det kan leda till att packningarna i pumpen torkar ut.
- Kom ihåg: Det finns alltid kvar vatten i pumpen. Vatten som torkar över tid, kan lämna kalk eller humus bakom sig, vilket kan fastna i pumpens rörliga delar. En högtryckstvätt som används regelbundet kommer normalt att hålla längre än en som bara används en gång varje år.
- Om maskinen ska förvaras under längre perioder utan att användas, rekommenderar vi att

följa riktlinjerna för långvarig förvaring på www.avaofnorway.com

- Filtret på vattenintagskontakten ska rengöras regelbundet. Tryck in en penna i den minsta öppningen i den borttagna kontakten och tryck ut filtret. Skölj i rent vatten och sätt ihop igen.
- Bekanta dig med all dokumentation i rutan och kolla också www.avaofnorway.com regelbundet om du är intresserad av nya produkter eller tillbehör till din högtryckstvätt.

Hur man undviker skadliga ytor

Skador på ytor som rengörs inträffar på grund av att trycket i vattnet överstiger ytans hållbarhet. Kalt trä kan penetreras; färg kan skalas av osv. Du kan variera kraften i din högtryckstvätt genom att kontrollera:

- vinkeln på vattenstrålen mot ytan som rengörs
- avståndet mellan munstycket från ytan som rengörs

Använd aldrig en smal högtrycksvattenstråle från lansen på mjuka ytor som är känsliga för skador.

Utrustning från tredje part

Om du vill använda utrustning från en annan högtryckstvätt eller tillverkare ska du vara medveten om följande:

- För att tillbehör ska vara kompatibla måste den vara försedd med samma bajonettanslutning som AVA använder. Jämför tillbehören och försök aldrig ansluta utrustning som verkar vara annorlunda.
- Lågtrycksutrustning, som vattenflödesborstar, fälgborste etc. kan användas oavsett AVA-modell, så länge som bajonettadaptern kan fästas på lansen.
- Högtrycksutrustning såsom fasta munstycken, roterande munstycken, uteplatsrengörare etc. har alla munstycksöppningar som är justerade för maskinspecifikationer. Det är viktigt att inte blanda tillbehör tillverkade för olika maskiner. En allmän riktlinje är att jämföra den specificerade effektstyrkan för maskinen som tillbehöret är avsett för med den maskinstyrka som du vill använda. Om de är ungefär densamma kan du i allmänhet använda utrustningen omväxlande.
- Om maskinen pulserar (slås snabbt på och av under sprutning) kan tillbehöret inte användas.

Vissa tryckpistoler använder samma slanganslutning som AVA. Om en tryckpistol sitter på slang på din AVA högtryckstvätt, kan den användas som adapter för andra tillbehör. Du måste fortfarande följa ovanstående riktlinjer, och AVA originaltillbehör är alltid det bästa valet.

FELSÖKNING OCH VANLIGA FRÅGOR

| | |
|--|--|
| Enheten slås inte på. | Se till att högtryckstvätten är i 'OFF'-läge. Anslut strömssladden till ett jordat 230 volt-uttag (ingen elektrisk förlängningsladd ska användas). |
| Högtrycksslangen (HP) kommer inte ansluta/förlbi ansluten till sprutpistolen. Problem med sprutpistolen? | I de flesta fall är sprutpistolen inte problemet. Problemet är gummihylsan som täcker beslaget vid slutet av högtrycksslangen. Det har troligen glidit upp mot metallspetsen. Fixet: vrida och/eller dra gummihylsan ner tills hela spetsen är synlig plus en 1/8" av metallbeslaget under spetsen. Försök nu föra in slangen i sprutpistolen. Den ska "klicka" på plats och inte komma ut förrän slangen släpps genom att trycka in spaken på pistolens undersida. Du kan skära av änden på hylsan med en vass kniv om du inte kan flytta ner hylsan. Var försiktig så att du inte skär eller punkterar slangen. |
| Enheten är igång med men det finns inget vattenflöde | Kontrollera vattenkällan. Lossa munstycket på lansen. (Se instruktionerna för munstycksrengöring under "Rengör munstycken".) Eller ta av lansen och bara spruta ur sprutpistolen. Detta indikerar om problemet är med lansen eller sprutpistolen |
| Varför läcker vatten där högtrycksslangen ansluts till sprutpistolen? | Se till att det finns en o-ring i slutet av metallspetsen på högtrycksslangen. Om det inte finns någon o-ring kommer anslutningen mellan slang och sprutpistol att läcka. |
| Jag kan inte ta bort lansen från sprutpistolen. Vad ska jag göra? | Lansen fästs och tas bort från sprutpistolen på samma sätt. Sätt in lansens quick-release ände i sprutpistolen. Pressa ihop sprutpistolen och lansen (ungefär 1/8") och vrid medsols. Lansen kommer att låsas på plats. Ta bort lansen genom att vända den här proceduren. Pressa ihop sprutpistolen och lansen och vrid moturs. Lansen kommer att glida ut. Eller håll sprutpistolen och lansen i upprätt läge med munstycksändan på golvet. Tryck hela enheten rakt ner för att lossa anslutningen och följ sedan borttagningsprocessen igen. Du kan också spruta på tvål eller ett smörjmedel i det område där lansen förbinder med sprutpistolen. Kom ihåg att lossa/dra åt låskragen på lansen mellan användningarna! |
| Högtryckstvätten slås på i 2 sekunder, stängs av och slås inte på igen. Har jag en defekt enhet? | Nej, det låter som din högtryckstvätten fungerar som den ska. När vattnet är anslutet, tillbehören monterade ordentligt och strömbrytaren är påslagen, slås högtryckstvätten på i 1 - 2 sekunder för att förbereda pumpen. Den stängs automatiskt av och väntar på att sprutpistolen ska pressas. När utlösaren trycks in börjar vatten rinna genom pumpen. Vattensensorn i pumpen "känner av" det rörliga vattnet och slår automatiskt på högtryckstvätten. Eller vrid av strömbrytaren, håll in avtryckaren på sprutpistolen så att du har en jämn vattenström. När du håller avtryckaren öppen på sprutpistolen, slå på strömbrytaren samtidigt. |

Suomi

Lue nämä käyttö- ja turvallisuusohjeet sekä muut laitteen mukana toimitetut dokumentit ennen laitteen käyttöönottoa. Säilytä kaikki dokumentit myöhempää käyttöä varten.

Laitteen esittely

Onnittelut uuden painepesurin hankinnan johdosta! Tämä laite on tehokas työkalu, ja sitä on käsiteltävä varoen. AVA käyttää edistynyttä tekniikkaa puhdistustehokkuuden parantamiseksi, ja saatatkin kokea korkeamman tehokkuustason kuin muilla samankaltaisilla laitteilla joita olet aiemmin kokeillut. Suorita puhdistustesti aina vähemmän näkyvälle alueelle, ja tutustu mukana toimitettuihin lisävarusteisiin.

AVA-laitteeseesi kuuluu aina korkeapaineletku, korkeapainepistooli, lanssi, suutin ja tarkoitukseen rakennettu sisääntulosuodatin puutarhaletkuliittimellä. Älä koskaan kytke tavanomaista puutarhaletkun liitintä suoraan koneeseen ilman suodatinta. Jos olet ostanut laajennetun paketin, mukana saatetaan toimittaa lisävarusteita. Paketin tarkka sisältö on kuvattu erillisessä dokumentissa.

Symbolien selitys



VAROITUS! Älä koskaan suuntaa suihkua ihmisiin, eläimiin tai sähkölaitteisiin



VAROITUS! Lue varoimet, varoitukset ja turvallisuusohjeet huolellisesti.



Laite ei sovellu vesijohtoon liittämiseen ilman vastavirtaventtiiliä, ellei veden paine ylitä 1 baria.



Tutustu käyttöohjeeseen



Kaksinkertainen eristys

Skyddsåtgärder, varningar och säkerhetstips



Henkilö- ja/tai omaisuusvahinkojen välttämiseksi sekä pesukokemuksen maksimoimiseksi, noudata huolellisesti kaikkia turvallisuusohjeita, varoituksia sekä varoitusmenpiteitä. Tutustu laitteen kaikkiin hallintatoimintoihin. Varmista lisäksi, että tiedät kuinka tyhjentää paine nopeasti laitteen kaikista 30

osista, ja kuinka kytkeä laitteesta virta pois.

- Käyttäessäsi painepesuria, suojaa aina silmäsi silmäsuojaimilla.
- Tämä pesulaite on CE- ja muiden turvallisuus- ja kuluttajastandardien mukainen. Älä muunna kokoonpanoa tai rakenna laitteeseen mitään ylimääräistä.
- Älä käytä pesulaitetta, kun olet alkoholin tai huumeiden vaikutuksen alaisena. Käytä tätä laitetta huolellisesti ja erityisellä varovaisuudella.
- Tarkkaile tasapainoasi ja jalustaasi käyttäessäsi pesulaitetta. Pinnoista tulee liukkaita kosteina ja erityisen liukkaita käytettäessä pesuainetta tai puhdistusainetta.
- Älä koskaan käytä pesulaitetta paljain jaloin, sandaaleissa tai avoimissa kengissä. Muista käyttää suojattuja, täysin peitettyjä kenkiä tai saappaita.
- Kun käytät painepesuria lasten lähellä, varmista aina, että aikuinen valvoo heitä huolellisesti vammojen välttämiseksi. Älä koskaan anna lapsen käyttää yksin pesulaitetta.
- Pidä sormet, kädet, jalat ja muut kehoosi osat korkeapainevesisuihkon ulottumattomissa. Voimakas suihku voi aiheuttaa näkövammoja tai repiä reikiä ihoosi. Ole huolellinen kaikkien lasipintojen lähistöllä, koska ollessasi liian lähellä, vesisuihku voi rikkoa ikkunan kun painat laitteen liipaisinta.
- Väärinkäytösten tai loukkaantumisten välttämiseksi käytä aina laukaisimen turvalukkoa kun et käytä pesulaitetta. Toimi näin vaikka pesu pysähtyi vain hetkeksi.
- Testaa aina pestävän kohteen pinta varmistaaksesi, ettet vahingoita sitä korkealla paineella.
- Suuntaa suihkutuspistooli aina turvalliseen suuntaan kun aloitat pesun.
- Kun käytät suihkutuspistoolia ensimmäistä kertaa, pidä ja kohdistusta pistooli kahdella kädellä vaurioiden ja loukkaantumisten välttämiseksi. Käytä aina laukaisimen turvalukkoa kun et käytä pesulaitetta. Toimi näin vaikka pesu pysähtyi vain hetkeksi.
- Kun painat virtakytkintä sammuttaaksesi pesulaitteen, vettä ja painetta saattaa jäädä järjestelmään. Paineen tyhjentämiseksi osoita suihkutuspistoolilla turvalliseen suuntaan ja paina liipaisimesta.
- Älä koskaan suihkuta syttyviä nesteitä.
- Älä koskaan käytä pesulaitetta alueilla, jotka sisältävät palavaa pölyä, nesteitä tai höyryä.
- Vältä paineletkun kosketusta terävien esineiden kanssa ja tarkista letku säännöllisesti. Vaihda, vaurioitunut letku. Korkean paineen takia letkua ei voi korjata jos sitä on leikattu tai se on vaurioitunut.

- Käytä vain pesuaineita, jotka ovat erityisesti suunniteltu painepesulaitteille, ja noudata pesuaineen etiketissä olevia ohjeita. Astianpesu- tai pyykinpesuaine on liian paksaus ja tukkii pesuainepullon suuttimen tai muita laitteen osia.
- Suojaa silmät, keuhkot ja iho altistumiselta pesuaineelle.
- **TÄRKEÄÄ:** Säilytä pesulaitetta sisätiloissa, jotta yksikön vesi ei voi laajentua jäätymisolosuhteissa. Kun vesi jäätyy ja laajenee, pesulaitteesi vaurioituu ja muuttuu käyttökelvottomaksi.
- Älä koskaan käytä kuumaa vettä pesulaitteessasi (yli 40 °C). Laite ylikuumentuu ja vaurioittaa korkeapainepumppua.
- Älä koskaan jätä pesulaitetta ilman valvontaa kun siihen on kytketty virta.
- Käännä vedenotto aina ensin päälle ennen kuin kytket laitteeseen virran. Laitteen pumpun käyttö ilman vettä voi vahingoittaa laitteen sisäisiä osia.
- Älä koskaan käytä vedenottolaitetta, joka on paineeltaan yli 7 baria.
- Älä koskaan irrota korkeapaineletkua pesulaitteesta järjestelmän ollessa paineistettuna.
- Älä koskaan kytke pysyvästi liipaisimekanismeja suihkutuspiistooliin.
- Älä koskaan käytä pesulaitetta elleivät kaikki komponentit ole kytketty kiinni huolellisesti.
- Älä koskaan anna pesulaitteesi käydä yli minuuttia kun olet sammuttanut vedenoton. Tämä voi aiheuttaa moottorin ja pumpun ylikuumentumisen ja vioittumisen.
- Käytä vain sellaisia suuttimia ja lisävarusteita, jotka on määritelty kestämiään koneen vedenpaine.
- Älä koskaan suihkuta pistorasiaa pesulaitteellasi.
- Tarkista laitteen virtajohto ennen käyttöä. Älä käytä vaurioitunutta virtajohtoa.
- Jos laitteen mukana toimitettu virtajohto on vaurioitunut, tulee se vaihtaa laitteen valmistajan, tämän valtuuttaman huoltohenkilön tai jonkun vastaavan pätevyyden omaavan henkilön toimesta.



VAROITUS: Lue ohjeet ennen laitteen käyttöä.

- Lapset eivät saa käyttää laitetta. Lapsia tulee valvoa laitteen läheisyydessä, jotta he eivät leiki laitteella. Laitetta voivat käyttää myös ihmiset, joilla on heikentyneet fyysiset, aisti- tai henkiset kyvyt, mikäli he ymmärtävät laitteen turvallisen käytön sekä siihen liittyvät vaarat. Tällöinkin heidän tulee perehtyä huolellisesti sekä heidän toimintansa tulee olla valvottua.
- Sähkösyötön saa tehdä vain pätevä sähköasentaja, ja sen on oltava painepesurien määrittelyn mukainen. On suositeltavaa, että tämän laitteen sähkösyöttöön sisältyy joko

jäännösvirtalaite, joka keskeyttää syötön jos vuotovirta maahan on yli 30 mA 30 millisekunnin ajan, tai joku muu maan pinnalla sijaitseva laite.

- **VAROITUS:** Tämä pesulaite on suunniteltu käytettäväksi valmistajan toimittamien tai suosittelemien puhdistusaineiden kanssa. Muiden puhdistusaineiden tai kemikaalien käyttö voi vaikuttaa haitallisesti laitteen toimintaan ja turvallisuuteen.
- **VAROITUS:** Korkeapainesuihkut voivat olla vaarallisia väärinkäytösten sattuessa. Suihkua ei saa suunnata henkilöihin, päällä oleviin sähkölaitteisiin, tai itse laitteeseen.
- **VAROITUS:** Älä käytä laitetta ihmisten läheisyydessä ellei heillä ole suojaruustusta.
- **VAROITUS:** Älä suuntaa suihkua itseäsi tai muita kohti vaatteiden tai jalkineiden puhdistamiseksi.
- **VAROITUS:** Räjähdysvaara - Älä suihkuta syttyviä nesteitä.
- **VAROITUS:** Korkeapaineletkut, liittimet ja kytkimet ovat tärkeitä laitteen turvallisuudelle. Käytä ainoastaan valmistajan suosittelemia letkuja, liittimiä ja kytkimiä.
- **VAROITUS:** Laitteen turvallisuuden varmistamiseksi käytä vain valmistajan alkuperäisiä tai valmistajan hyväksymiä varaosia.
- **VAROITUS:** Takaiskuvirtausventtiilin läpi virtaama vesi on juomakelvotonta.
- **VAROITUS:** Kone on irrotettava virtalähteestään puhdistuksen tai huollon ajaksi, sekä vaihdettaessa laitteen osia.
- **VAROITUS:** Älä käytä laitetta, jos syöttöjohto tai muut tärkeät osat, esim. turvalaitteet, korkeapaineletkut tai laukaisupiistooli, ovat vaurioituneet.
- **VAROITUS:** Laitteen käyttöön sopimattomat jatkojohdot voivat olla vaarallisia. Jos jatkojohto käytetään, on sen sovellettava ulko käyttöön ja liitoksen on oltava kuiva ja pois maan pinnasta. On suositeltavaa, että liitos tehdään köysikelalla, joka pitää pistorasian vähintään 60 mm maanpinnan yläpuolella.
- **VAROITUS:** Sammuta päävirtakatkaisin aina kun jätät laitteen vartioimatta.

Kaksinkertaisesti eristetyin laitteen huolto

- Kaksinkertaisesti eristetyssä laitteessa on maadoituksen sijaan kaksi eristysjärjestelmää. Maadoitusvälineitä ei ole tarkoitettu kaksinkertaisesti eristetyille laitteelle, eikä niitä tulisi lisätä laitteeseen.
- Kaksinkertaisesti eristetyin tuotteen huolto vaatii äärimmäistä hoitoa ja järjestelmän tuntemusta, ja sen saa suorittaa vain pätevä huoltohenkilö.
- Kaksinkertaisesti eristetyin tuotteen varaosien

on oltava identtisiä alkuperäisten osien kanssa. Kaksinkertaisesti eristetty tuote on merkitty sanoilla "Tuplaeristys" tai "Tuplaeristetty". Tuote voidaan merkitä myös alla näkyvällä symbolilla.



Pakkauksen avaamista ja laitteen käyttöönottoa koskevat ohjeet

Pakkauksen avaamisen jälkeen aseta pesulaitteen osat sekä lisävarusteet näkyville. Tutustu laitteen osiin vertaamalla niitä pakkauksessa mainittuihin osiin ja liitteeseen oleviin asiakirjoihin. Jos asennusta vaaditaan, tutustu mukaan liitettyihin kokoonpano-ohjeisiin.

Vedensyöttöliitäntä

Kiinnitä mukana toimitettu vedensyöttösuodatin kuvan A mukaisesti. Käsin kiristäminen riittää. Älä koskaan käytä normaalia tuloliitäntä ilman vesisuodatinta. Kiinnitä puutarhaletku suodatinliittimeen. Mukana toimitettu vesisuodatin sopii puutarhaletkujen vakiovarusteisiin kuuluviin pikaliittimiin. (Gardena).

Korkeapaineletku

Varmista, että korkeapaineletkussa ei ole näkyviä vaurioita, ja kytke se koneen naarasliittimeen kuvan B mukaisesti. Kytke toinen pää korkeapainepistooliin kuvan C mukaisesti. Toinen tai molemmat näistä kytkennöistä on voitu jo tehdä tehtäällä. Jos molemmat päät näyttävät samalta, letkua voidaan käyttää kumpaankin suuntaan. Varmista, että letku napsahtaa paikoilleen ja on kunnolla kiinni.

Korkeapainepistooli

Kun olet kytkenyt korkeapainepistooliin letkuun, testaa liipaisin ja turvalukko. Avaa koneeseen menevä vedenpoistoventtiili ja varmista, ettei siinä ole vuotoja. Yhtään vettä ei saa vuotaa vedentulo liittimestä, laitteesta, korkeapaineletkusta tai korkeapainepistoolista. Varmista, että turvalukko / lapsiturvallisuus toimii kuvan D osoittamalla tavalla. Liipaisimen painaminen pitäisi olla estetty kun turvalukko on kytketty. Avaa turvalukko ja paina laukaisinta kunnes pistoolista tulee vettä tasaisella paineella.

Suihkupistooli, lanssi ja varusteet

Painepesuri on tarkoitettu käytettäväksi painepistooliin kiinnitettyjen lisävarusteiden kanssa. Kaikki lisälaitteet kiinnitetään bajonettiliittimellä. Työnnä bajonettiliittimen pää lisälaitteen bajonetin naaraspäähän, kierrä myötäpäivään ja liitos on valmis. Varmista, että lisälaitte on kiinnitetty kunnolla. Katso kuvaa E. Kaikki lisälaitteet, 32

poislukien lisävarusteet, jotka käyttävät tappisuuttimia (esimerkiksi turbosuutin), voidaan kiinnittää suoraan pistooliin. Turvallisuussyistä lisävarusteita, joissa käytetään tappisuuttimia (esimerkiksi turbosuutin), saa käyttää vain mukana toimitettujen suuttimien kanssa, katso kuva F. Tämä johtuu turvallisuusmääräyksistä, jotka määräävät minimietäisyyden kahvan ja haitallisten vesisuihkujen välillä. Yksi tai useampi edellä kuvattu suutin sisältyy pakkaukseen vakiovarusteena.

Kokeilu ja käynnistys

Kytke virtajohto hyväksytyyn pistorasiaan. AVA suosittelee mahdollisuuksien mukaan paineletkun jatketta (ei sisälly pakkaukseen) virtajohdon jatkeen käytön sijasta. Jos jatkojohtoa käytetään, se on oltava ulkokäyttöön hyväksytty. Johdon poikkileikkauksen on oltava vähintään 1,5 mm² 10 m johdossa, ja vähintään 2 mm² 10–20 m johdoissa. Älä koskaan käytä yli 20 metrin johtoa. Varmista, että liipaisimen turvalukko on lukittu. Käännä laitteen virtakytkin asentoon "1", katso kuva G. Laitteessa on kansainväliset symbolit "0" pois päältä ja "1" päälle. Laitteen pitäisi antaa lyhyt käynnistysääni ja hiljentyä nopeasti. Suuntaa painepistooli turvalliseen suuntaan, avaa turvalukko ja paina laukaisinta. Laite käynnistyy nyt, ja pistoolissa voi olla havaittavissa huomattava potkaisuliike. Joka kerta kun liipaisin vapautetaan, laitteen tulisi pysähtyä nopeasti. Tutustu erilaisiin painesuuttimiin ja niiden tuottamiin vesisuihkuihin. Voiman, työalueen ja etäisyyden välinen suhde selitetään kuvassa H.

Käyttöohjeet

Seuraa käyttöopasta ja varoituksia sekä käytä tervettä järkeä. On erilaisia mielipiteitä siitä, mitä voidaan puhdistaa korkeapaineella, mutta kokemuksemme mukaan terve järki antaa sinulle paljon mahdollisuuksia. Kuvat H ja I esittävät jotain mahdollisuuksia ja käyttöalueita, mutta suosittelemme myös vierailemaan verkkosivuillemme saadaksesi lisätietoja. Muista, että vesivoima vähenee, kun taas kosketuspinta-ala kasvaa suuremman pinta-etäisyyden myötä. Muista kytkeä turvalukko aina kun et käytä painepistoolia ja noudata "käytön jälkeen" -ohjeita ennen koneen varastointia. Jos moottori käynnistyy lyhyeksi ajaksi, tämä on täysin normaalia. Pumppu täyttää itsensä ja on valmiina käyttöön heti kun painepistoolin liipaista painetaan. Sammuuta painepesuri, jos sitä ei käytetä yli 5 minuuttia. Älä paina liipaisinta useita kertoja nopeasti peräkkäin, koska se voi aiheuttaa pysäytysjärjestelmän toimintahäiriön. Purista liipaisinta hitaasti ja rauhallisesti. Bajonetin ja suuttimien sisäiset O-renkaat on puhdistettava säännöllisesti ja voideltava rasvalla

tai silikonipohjaisella voiteluaineella.

Lisäohjeita saadaksesi - erikseen ostettavia livävarusteita tai bonustarvikkeita koskevia ohjeita - vieraile AVA: n verkkosivustolla: www.avaofnorway.com

Pakkaus ja säilytys

Kun olet valmis lopettamaan laitteen käytön, toimi seuraavasti: Kytke paineakytkimen turvakytkin päälle. Käännä laitteen virtakytkin ykkösestä nollaan, ja sammuta veden virtaus hanasta. Vapauta turvakytkin ja päästä pois jäljellä oleva korkeapaine painamalla liipaisinta. Huomaa, että järjestelmässä on edelleen painetta, muista suunnata suihke turvalliseen suuntaan. Irrota puutarhaletku ja irrota suutin pistoolista. Paina liipaisinta uudelleen. Vähän vettä voi poistua veden sisääntuloliitännästä tai pistoolista. Viimeisteletyt kytkemällä pistoolin turvakytkin ja irrota pistoke. Säilytä laitetta ja lisävarusteita ympäristössä, jossa ei ole jäätymissaaraa. Mikäli tämä on haasteellista, noudata laitteen jäätymissuojasohjeita AVA: n verkkosivustolla: www.avaofnorway.com

Onnea uuden painepesurisi käyttöön. Toivomme, että laite tarjoaa sinulle hyviä pesukokemuksia tulevina vuosina mikäli rakastat siivousta ja haluat tehdä asiat nopeasti. Molemmissa tapauksissa olet tehnyt parhaan päätöksen ostamalla AVA painepesurin.

Yleisiä vinkkejä laitteen käyttöön

- FParas neuvo jonka voimme sinulle antaa, on ohjata sinut vierailemaan osoitteessa www.avaofnorway.com saadaksesi lisätietoja laitteestasi, teknisistä asioista, lisävarusteista jne.
- Puhdista laite alhaalta ylöspäin. Tämä auttaa sinua näkemään puhdistuksen kohteena olevan laitteen osan ja varmistamaan, että et huuhtelet puhdistusaineita ennen kuin todellisuudessa puhdistat osan. Lopuksi huuhtelet koko laite ylhäältä alas. Tämä koskee melkein kaikkea mitä haluat puhdistaa.
- Älä säilytä painepesuria lämmittimien tai muiden lämmönlähteiden lähellä, koska se voi johtaa pumpun sisällä olevien tiivisteiden kuivumiseen.
- Muista: Pumpussa on aina jäljellä vettä. Kuivuva vesi voi muodostaa kalkkia tai hummusta, ja nämä voivat juuttua pumpun liikkuviin osiin.
- Jos laitetta on tarkoitus varastoida pitkään, suosittelemme, että noudatat pitkäaikaisen varastoinnin ohjeita osoitteessa www.avaofnorway.com
- Vedenottoaukon liittimen suodatin on puhdistettava säännöllisesti. Työnnä kynä tai vastaava irrotetun liittimen pienimpään aukkoon, ja

työnnä suodatin ulos. Huuhtelet suodatin puhtaassa vedessä ja laita se takaisin paikoilleen.

- Tutustu kaikkiin pakkauksen asiakirjoihin ja vieraile myös sivustolla www.avaofnorway.com säännöllisesti, jos olet kiinnostunut painepesurisi saatavilla olevista uusista tuotteista tai lisävarusteista.

Kuinka välttyä pintojen vahingoittamiselta

Puhdistettaville pinnoille aiheutuu vahinkoa jos vedenpaineen iskuvoima ylittää pinnan kestokyvyn. Paljaan puun pinta voi vaurioitua, maali voidaan lähteä irtoilemaan, jne.

Voit hallita laitteen puhdistusvoimaa kontrolloimalla: - vesisuihkun kulmaa puhdistettavan pinnan kanssa - suuttimen etäisyyttä puhdistettavasta pinnasta

Kolmannen osapuolen laitteet ja lisävarusteet

Jos haluat käyttää toisen painepesurin tai valmistajan laitteita, ota huomioon seuraavat asiat:

- Lisävarusteiden yhteensopivuuden varmistamiseksi laite on varustettava samalla bajonettiliitännällä, jota AVA käyttää. Vertaa lisävarusteita ja älä koskaan yritä kiinnittää laitteita, jotka näyttävät huomattavasti erilaisilta.
- Matalapaineisia laitteita, kuten vesivirtaharjoja, vanneharjaa jne., Voidaan käyttää AVA-mallista riippumatta, kunhan bajonettisovitin voidaan kiinnittää suuttimeen.
- Kaikissa korkeapainelaitteissa, kuten kiinteissä ja pyörivissä suuttimissa, terassien puhdistuslaitteissa jne, on suutinaukot, jotka on säädetty koneen teknisten vaatimusten mukaisesti. On tärkeää olla käyttämättä muihin laitteisiin tarkoitettuja lisävarusteita. Yleinen ohje on verrata sen laitteen määritettyä tehoa, jolle lisälaite on tarkoitettu, käytettäväsi laitteen tehoon. Mikäli tehot ovat suunnilleen samat, voit yleensä käyttää lisälaitetta oman laitteesi kanssa yhteensopivasti.
- Jos lisälaite värähtelee (kytketty nopeasti päälle ja pois päältä ruiskutuksen aikana), lisälaitetta ei voida käyttää.

Jotkut painepistoolit käyttävät samaa letkuliitaintä kuin AVA. Jos painepistooli sopii AVA-painepesurisi letkuun, sitä voidaan käyttää sovitimena muille lisävarusteille. Sinun on silti noudatettava yllä olevia ohjeita, ja AVA-alkuperäiset lisävarusteet ovat aina paras valinta.

VIANMÄÄRITYS JA USEIN ESITETYT KYSYMYKSET

| | |
|---|---|
| Laite ei käynnisty. | Varmista, että laite on "POIS PÄÄLTÄ" -asennossa. Kytke virtajohto maadoitetuun 230 voltin pistorasiaan (sähköjohtoa ei tule käyttää). |
| Korkeapaineletku (KP) ei yhdisty / pysy kytkettynä suihkutuspistooliin. Onko tämä pistooliongelma? | Useimmissa tapauksissa suihkutuspistooli ei ole ongelma. Ongelmana on kumiholkki, joka peittää liitoksen korkeapaineletkun päässä. Holkki on todennäköisesti luistunut kohti metallikärkeä. Kiinnitys: heiluta, kierrä ja / tai vedä kumiholkkia alaspäin, kunnes koko kärki on näkyvissä plus 1/8" metallin kiinnityksestä kärjen alapuolelle. Yritä nyt asettaa letkun kärki suihkutuspistooliin. Sen tulisi "napsahtaa" paikoilleen, eikä se tule ulos ennen kuin letku vapautetaan työntämällä pistoolin alapuolella oleva vipu sisään. Voit leikata holkin päätä terävällä veitsellä jos et voi siirtää holkkia alaspäin. Ole varovainen, ettet leikkaa tai puhkaise letkua. |
| Laite on käynnissä, mutta veden virtausta ei ole | Tarkista veden tulolähde. Avaa suutin. (Katso suuttimien puhdistusohjeet kohdasta "Suuttimien puhdistaminen.") Vaihtoehtoisesti ota suutin pois ja suihkuta vain suihkutuspistoolista. Tällä selvität onko ongelma suuttimessa vai suihkutuspistoolissa. |
| Miksi vettä vuotaa korkeapaineletkun ja suihkutuspistooliin liitoskohdasta? | Varmista, että korkeapaineletkun metallikärjen päässä on O-rengas. Jos o-rengasta ei ole, letkun ja suihkutuspistoolin välinen liitos vuotaa. |
| En saa poistettua suutinta suihkutuspistoolista. Mitä minun pitäisi tehdä? | Suutin kiinnitetään ja poistetaan suihkutuspistoolista samalla tavalla. Aseta lanssin pikavapautuspää suihkutuspistooliin. Paina suihkutuspistoolia ja suutinta yhdessä (noin 1/8") ja käännä myötäpäivään. Suutin lukittuu paikoilleen. Poista suutin tekemällä toimenpide päinvastoin. Paina suihkutuspistoolia ja suutinta yhdessä ja käännä vastapäivään. Suutin liukuu ulos. Vaihtoehtoisesti pidä suihkutuspistoolia ja suutinta pystyasennossa suuttimen pään ollessa lattialla. Työnnä koko kokoonpano suoraan alas ja löysää liitos ja seuraa sitten uudelleen poistoprosessia. Voit myös suihkuttaa saippuavettä tai voiteluainetta suuttimen ja suihkutuspistoolin liitosalueelle. Muista avata / kiristää suuttimen lukituskaulus toimenpiteiden välillä! |
| Painepesurini kytkeytyy päälle 2 sekunniksi, sammuu eikä käynnisty uudelleen. Onko minulla viallinen laite? | Ei, kuulostaa siltä, että laitteesi toimii hienosti. Kun vesi on kytketty, lisälaitteet on koottu oikein ja virtakytkin on kytketty päälle, pesulaite käynnistyy 1 - 2 sekunnin ajaksi pumpun täyttämiseksi. Se sammuu automaattisesti ja odottaa ruiskupistoolin liipaisimen painamista. Kun liipaisinta painetaan, vesi alkaa virtata pumpun läpi. Pumpun vesianturi "havaitsee" liikkuvan veden ja kytkee laitteen automaattisesti päälle. Vaihtoehtoisesti kytke virta virtakytkimestä pois, pidä kiinni suihkutuspistoolin laukaisimesta, kunnes sinulla on tasainen vesivirta. Kun pidät liipaisinta painettuna pistoolissa, kytke samalla virtakytkin päälle. |

Islenska

Vinsamlegast lestu bæði þessar notkunar- og öryggisleiðbeiningar og öll önnur skjöl sem fylgja með áður en þú byrjar að nota tækið. Geymdu öll skjölin svo að þú getir ráðfært þig við þau síðar.

Inngangur

Til hamingju með nýju háprýstidæluna þína! Þetta tæki er öflugt og því skal gæta varúðar við notkun þess.

AVA notar snjalla verkfræði til að auka skilvirkni við þríf og það kann að vera að þú upplifir meiri skilvirkni en við notkun sambærilegra tækja sem þú hefur prófað áður. Þú skalt alltaf prófa tækið á lítt sýnilegu svæði og kynna þér fylgihlutina sem fylgja með.

AVA tækið þitt mun alltaf samanstanda af háprýstislöngu, háprýstibyssu, stöng, stút og sérsmiðaðri inntakssiu með tengi við garðslöngur. Þú skalt aldrei tengja venjulegja garðslöngu án síu beint við tækið. Ef þú hefur keypt stærri pakka, gætu fylgt fleiri aukahlutir með. Innihaldi sendingarinnar til þín er lýst á sér blaði.

Utskýring á táknum



VARÚÐ! Beinið ekki bununni að fólki, dýrum eða rafbúnaði!



VARÚÐ! Lesið öryggisráðstafanir, viðvaranir og ráðleggingar vandlega.



Það er ekki æskilegt að tengja tækið við drykkjarvatnsleiðslur án bakfæðisloka, nema þrýstingurinn sé meiri en 1 bar.



Lesið leiðbeiningarnar.



Tvöföld einangrun

Öryggisráðstafanir, viðvaranir og ráðleggingar



Til að forðast meiðsli og/eða eignaskemmdir og til að hámarka upplifun þína af háprýstivottinum, fylgdu gaumgæfilega ráðleggingum, leiðbeiningum, viðvörðunum og öryggisráðstöfunum og kynntu þér öll stjórtækini. Vertu vissum að þú kunnir að hleypa þrýsting af öllum hlutum háprýstidællunnar þinnar og hvernig á að slökkva á háprýstidælunni.

● Notaðu alltaf hlífðargleraugu til að forðast

augnskaða þegar þú notar háprýstidæluna.

● Þessi háprýstidæla samræmist CE og öðrum öryggis- og neytenantstöðlum. Þú skalt ekki breyta eða endurbyggja nokkurn hluta háprýstidællunnar þinnar.

● Þú skalt ekki nota háprýstidæluna þína undir áhrifum áfengis eða lyfja. Notaðu tækið af varúð og aðeins þegar þú ert allsgáður

● Gættu að jafnvægi og föttestu þinni þegar þú notar háprýstidæluna. Yfirborð verða sleip þegar þau blotna og þeim mun sleipari þegar notuð er sápa eða hreinsiefni.

● Þú skalt aldrei nota háprýstidæluna berfættur, í sandöllum, eða opnum skóm. Gættu þess að nota lokaða hlífðarskó eða stigvél.

● Þegar þú notar háprýstidæluna nálægt börnum, gættu þess að þau séu í umsjá fullorðins einstaklings til að forðast slys. Þú skalt aldrei leyfa barni að nota háprýstidæluna.

● Gættu þess að setja ekki fingur, hendur, fætur eða aðra líkamshluta þína fyrir háprýstibununa.

Öflug bunan getur valdið blindu og rífið gat á húðina. Gættu varúðar nálægt öllum yfirborðum úr gleri, því að bunan gæti brotið rúðu ef þú ert of nálægt þegar þú tekur í gíkkinn á byssunni.

● Til að forðast meiðsli og slys, skaltu alltaf virkja öryggið á gíkknum þegar þú ert ekki að nota háprýstidæluna, jafnvel þótt þú hættir bara að sprauta í augnarblik.

● Þú skalt alltaf prófa yfirborðið fyrst til að valda ekki skemmdum með háprýstingnum.

● Beindu byssunni í örugga átt þegar þú byrjar að nota háprýstidæluna.

● Þegar þú notar fyrst byssuna, skalt þú halda byssunni og stönginni með tveimur höndum til að forðast slys og meiðsli, og þú skalt alltaf virkja öryggið á gíkknum þegar þú ert ekki að nota háprýstidæluna, jafnvel þótt þú hættir bara að sprauta í augnarblik.

● Þegar þú ýtir á takkana til að slökkva á háprýstidælunni, gæti enn verið þrýstingur á kerfinu. Til að hleypa honum af kerfinu, beindu byssunni í örugga átt og taktu í gíkkinn.

● Þú skalt aldrei sprauta eldfimur vökva.

● Þú skalt aldrei nota háprýstidæluna á svæði þar sem er eldfimt ryk, vökvar eða gufur.

● Forðastu að háprýstislagan komist í snertingu við beitta hluti og skoðuðu hana reglulega. Hafri hún skemmt skaltu skipta henni út. -Vegna þess hve mikill þrýstingur er á henni er ekki hægt að gera við hana ef hún skerst eða skemmist.

● Þú skalt aðeins nota hreinsiefni sem ætluð eru fyrir háprýstidælur og fylgja leiðbeiningunum sem fylgja hreinsiefninu. Uppvottalögur eða þvottasápa er of þykk og mun stífla stútinn á stönginni.

● Þú skalt verja augu, lungu og húð fyrir

hreinsiefnum.

- **MIKILVÆGT:** Þú skalt geyma háþrýstidæluna inni til að koma í veg fyrir að vatn í tækinu þenjst út í frosti.
- Þegar vatnið frýs og þenst út, mun háþrýstidælan þín skemmast og verða ónothæf.
- Þú skalt aldrei nota heitt vatn í háþrýstidæluna þína (40°C+). Háþrýstidælan mun ofhitna og skemmast.
- Þú skalt alltaf hafa augun með háþrýstidælunni þegar hún er í gangi.
- Þú skalt alltaf hleypa vatni á tækið áður en þú kveikir á því. Gangi dælan þurr munu hlutar hennar skemmast.
- Þú skalt ekki tengja háþrýstidæluna þína við vatn með meira en 7 bar þrýsting.
- Þú skalt aldrei aftengja háþrýstislönguna frá háþrýstidælunni meðan þrýstingur er á kerfinu.
- Þú skalt aldrei festa gikkin á byssunni varanlega.
- Þú skalt aldrei nota háþrýstidæluna nema allir hlutar hennar séu örugglega og rétt festir.
- Þú skalt aldrei láta háþrýstidæluna gagna í meira en eina mínútu, eftir að þú hefur sknúfað fyrir vatnið. Það gæti valdið því að mótórin og dælan ofhitni og skemmist.
- Þú skalt aðeins nota stangir og aukahluti sem tryggt er að standist þrýstinginn frá háþrýstidælunni.
- Þú skalt aldrei sprauta á rafmagnsinnstungu með háþrýstidælunni þinni.
- Gaumgæfðu rafmagnsnúruna fyrir notkun. Ekki nota tækið ef hún er skemmd.
- Ef rafmagnsnúran er skemmd, þarf framleiðandinn, þjónustuaðili hans eða annar hæfur einstaklingur að skipta henni úr til að forðast hættu.



ATHUGIÐ: Lesið leiðbeiningarnar áður en þú notar vélinu.

- Börn skulu ekki nota vélinu. Börn skulu vera undir eftirliti til að tryggja að þau leiki sér ekki með vélinu.
- Fólk með skerta líkamlega, skynjunar- eða vitræna getu, eða sem skortir reynslu og þekkingu getur notað tækið, ef fylgst er með þeim og þau fá leiðbeiningar um örugga notkun tækisins og átta sig á hættunni sem kann að fylgja.
- Rafmagnstengingin skal vera framkvæmd af viðurkenndum rafvirkja og fylgja því sem tilgreint er með háþrýstidælunni. Mælt er með að rafmagnstengingin við tækið hafi annað hvort öryggi sem ryfur strauminn ef lekastrumur í jörð verður meiri en 30 mA í 30 ms eða tæki sem sannreynir jarðtenginguna.
- **VARÚÐ:** Þetta tæki er hannað fyrir notkun á hreinsiefnum sem framleiðandinn býr til eða mælir

með. Notkun á öðrum hreinsiefnum gæti haft neikvæð áhrif á tækið.

- **VARÚÐ:** Háþrýstibuna getur verið hættuleg ef hún er misnotuð. Það má ekki beina bununni að fólki, rafverkjum sem eru í gangi eða sjálfri vélinni.
- **VARÚÐ:** Þú skalt ekki nota vélin nálægt fólki nema það sé í hlífðarfatnaði.
- **VARÚÐ:** Þú skalt ekki beina bununni að þér sjálfum né öðrum til þess að þrifa fót eða skóbúnað.
- **VARÚÐ:** Sprengihætta – Þú skalt ekki sprauta eldfimum vökvum.
- **VARÚÐ:** Háþrýstislöngur, festingar og tengingar eru mikilvægar fyrir öryggi tækisins. Þú skalt aðeins nota slöngur, festingar og tengingar sem framleiðandinn mælir með.
- **VARÚÐ:** Til að tryggja öryggi tækisins, skalt þú aðeins nota varahluti frá framleiðandanum eða sem framleiðandinn hefur samþykkt.
- **VARÚÐ:** Vatn sem runnið hefur gegnum bakflæðisloka telst ekki drykkjarhæft.
- **VARÚÐ:** Tækið skal ekki vera í sambandi þegar það er þrifið eða lagað, eða þegar skipt er um hluti í því.
- **VARÚÐ:** Þú skalt ekki nota tækið ef rafmagnsnúran eða mikilvægir hlutar tækisins eru skemmdir, t.d. öryggistæki, háþrýstislönga eða byssan.
- **VARÚÐ:** Óviðunandi framlengingarsnúrir geta verið hættulegar. Ef þú notar framlengingarsnúru, skal hún henta fyrir notkun utandyra og tengingin skal haldast þurr og ekki liggja á jörðinni. Mælt er með því að nota snúrukefli sem heldur tenglinum a.m.k. 60 mm frá jörðinni.
- **VARÚÐ:** Þú skalt alltaf slökkva á aðal rofanum þegar þú ferð frá tækinu.

Viðgerðir á tæki með tvöfalda einangrun

Tæki með tvöfalda einangrun hefur tvö einangrunarkerfi í stað jarðtengingar. Tæki með tvöfalda einangrun hefur ekki jarðtengingu og ekki skal bæta jarðtengingu við tækið. Viðgerðir á tæki með tvöfalda einangrun krefst mikillar nærgætni og þekkingar á kerfinu og skal vera framkvæmd af hæfum þjónustuaðila. Varahlutir fyrir tæki með tvöfalda einangrun verða að vera nákvæmlega eins og upprunalegu hlutirnir. Tæki með tvöfalda einangrun er merkt orðunum „Double Insulation“ eða „Double Insulated“. Tækið gæti líka verið merkt táknuinu hér fyrir neðan.



Leiðbeiningar við opnun og undirbúning

Þegar þú ert búinn að taka HÁPRÝSTIDÆLUNA úr umbúðunum, skaltu dreifa úr hlutum og aukahlutum. Kynntu þér hlutina með því að bera þá saman við það sem gefið er upp á kassanum og í þeim skjólum sem fylgja með. Ef þú þarft að setja eitthvað saman, ráðfærðu þig við samsetningar leiðbeiningarnar sem fylgja með.

Vatnsinntak

Tengdu vatnsinntakssíuna eins sýnt er á mynd A, þéttingsfast. Þú skalt aldrei nota venjulegt inntakstengi á vatnssíu. Tengdu garðslönguna þína við tengið á síunni. Vatnssían sem fylgir passar á venjuleg smellitengi fyrir garðslöngur (Gardena).

Háprýstislöngunni

Gættu þess að það sé enginn sýnilegur skaði á háprýstislöngunni, og tengdu hana við hún-tengið á tækinu eins og sýnt er á mynd B. Tengdu hinn endann við háprýstibyssuna eins og sýnt er á mynd C. Önnur eða báðar þessarar tenginga gætu hafa verið framkvæmdar á framleiðslustað. Ef báðir endar slöngunnar líta eins út, má nota hvorn endann sem er. Gættu þess að slangan smelli í og sé vel föst.

Háprýstibyssuna

Þegar þú ert búinn að tengja háprýstibyssuna við slönguna, prófaðu þá gikkinn og öryggið. Opnaðu fyrir vatnsflæðið inn í vélina og gættu að því að það leki hvergi. Ekki vatn á að geta komist úr vatnsinntakinu, vélinni, háprýstislöngunni eða byssunni. Gættu þess að öryggið/barnalæsingin virki eins og sýnt er á mynd D. Það á ekki að vera hægt að taka í gikkinn þegar öryggið er virkjað. Afvirkjaðu öryggið og takktu í gikkinn þar til það kemur jöfn buna úr byssunni

Háprýstibyssuna, stöngunum og aukahlutum

Háprýstidæluna má nota með aukahlutum sem festir eru á byssuna. Allir aukahlutir eru festir með byssustingstengi. Þrýstu byssustings endanum inn í hún-tengið, snúðu rangsælis og slepptu. Gættu þess að aukahluturinn sé tryggilega festur. Sjá mynd E. Alla aukahluti, nema þá sem nota nákvæmnisstútana (til dæmis turbó stúturinn), má festa beint við byssuna. Af öryggisástæðum má eingöngu nota nota aukahluti með nákvæmnisstútum (til dæmis turbó stútin) með stöngunum sem fylgja með þeim, sjá mynd F. Það er vegna reglugerða sem segja til um minnstu fjarlægð milli hættulegrar vatnsbunu og handfangsins. Einn eða fleiri af stútnum á myndinni fylgir með tækinu.

Próf og gangsetning

Tengdu snúruna í viðurkenndan rafmagnstengil. Að svo miklu leyti sem hægt er, mælir AVA með því að nota framlengingu á háprýstislönguna (fylgir ekki með) frekar heldur en framlengingarsnúru. Ef framlengingarsnúra er notuð, verður hún að henta fyrir notkun utandyra og flatarmál þverskurðar snúrunnar þarf að vera a.m.k. 1,5 mm2 á 10m snúru, og a.m.k. 2mm2 á 20m snúru. Þú skalt aldrei nota snúru sem er lengri en 20m. Gættu þess að öryggið á gikknum sé virkt. Færðu aðalrofann á tækinu í stöðuna „1“, sjá mynd G. Vélín hefur alþjóðlegu merkin „0“ fyrir af og „1“ fyrir á. Það á að heyrast vélarhljóð í stutta stund svo hættir það snögglega. Beindu byssunni í örugga átt, afvirkjaðu öryggið og takktu í gikkinn. Vélín fer nú í gang, og það gæti komið bakslag frá byssunni. Vélín á stöðvast snögglega í hvert skipti sem gikknum er sleppt. Kynntu þér hina mismunandi snúta og hvernig buna þeir gefa. Tengslin milli krafts, vinnusvæðis og fjarlægðar eru útskýrd á mynd H.

Notkunarleiðbeiningar

Skoðaðu leiðbeiningarnar og viðvaranirnar og beittu almenntri skynsemi. Það eru skiptar skoðanir um hvað þrifa megi með háprýstingi, en af fenginni reynslu okkar, kemst þú langt á almenntri skynsemi. Myndir H og I sýna nokkra möguleika og notkunarvið, en við mælum einnig með að þú heimsækjir heimasíðuna okkar til að nálgast frekar upplýsingar. Mundu að krafturinn minnkar en snertiflöturinn eykst eftir því sem fjarlægðin frá yfirborðinu, sem sprautað er á, eykst. Mundu að virkja alltaf öryggið meðan þú heldur ekki á byssunni, og fylgdu leiðbeiningunum „að lokinni notkun“ áður en þú gengur frá tækinu. Það er eðlilegt að mótörinn fer í gangi í skamma stund. Dælan er að undirbúa sig til að vera tilbúin þegar tekið er í gikkinn á byssunni. Ef þú ætlar ekki að nota háprýstidæluna í meira en 5 mínútur, slökktu þá á henni. Ekki taka oft í röð í gikkinn, því að þetta gæti valdið því að stöðvunarkerfið bili. Taktu rólega og skipulega í gikkinn. Þéttihringina inni í byssustingunum og framlengingarstöngunum þarf að þrifa reglulega og smyrja með feiti eða silikon smurefni.

Til að nálgast leiðbeiningar með aukahlutum – sem keyptir eru sérstaklega eða bónus hlutir, farðu á heimasíðu AVA:

www.avaofnorway.com

Þökkun og geymsla

Þegar þú ert búinn að nota háprýstidæluna, skalt þú gera eftirfarandi: Virkjaðu öryggið á byssunni. Færðu aðalrofann á vélinni frá „1“ á „0“, og lokaðu

fyrir vatnsflæðið. Afvirkjaðu öryggið og hleyptu af þeim þrýstingi sem eftir er. Gættu að því að það er þrýstingur á kerfinu þar til þetta hefur verið gert og vertu viss um beina bununni í örugga átt. Aftengdu garðslönguna og stúttinn og/eða stöngina af byssunni. Taktu einu sinni enn í gikkinn. Eitthvað vatn kann að fara úr vatnsinntakinu eða byssunni. Að lokum skaltu virkja öryggið á byssunni og taka vélna úr sambandi. Þú skalt geyma vélna þar sem engin hætta er á frosti. Ef þetta er illmögulegt, fylgdu þá leiðbeiningunum um frostvörn tækisins á heimasíðu AVA: www.avaofnorway.com

Gangi þér vel með nýju háþrýstidæluna þína. Við vonum að standist væntingar þinar í mörg ár, hvort sem þú elskar að þrifa eða vilt vera fljótur að því. Í báðum tilfellum valdir þú rétt þegar þú keyptir AVA tæki.

Almenn ráð

Fyrst og fremst er besta ráðið sem við getum gefið þér að fara á www.avaofnorway.com til að fræðast meira um háþrýstidæluna þína, tækni við að nota hana, aukahluti o.s.fr.

● Byrjaðu að þrifa niðri og vinndu þig upp. Það auðveldar þér að sjá hvað þú ert búinn að þrifa og tryggir að þú skolir ekki burt hreinsiefni áður en þú byrjar að þrifa. Að lokum skalt þú byrja að skola uppi og vinna þig niður. Þetta á við um næstum allt sem þú getur þrifið.

● Þú skalt ekki geyma háþrýstidæluna nálægt ofnum eða öðrum hitatækjum, þar sem þetta gæti valdið því að þakkingarnar í dælnni þorni upp.

● Mundu: Það verður alltaf vatn eftir í dælnni. Vatnið sem þornar með tímanum, getur skilið eftir sig útfellingar í hreyfanlegum hlutum dælnnar. Háþrýstidæla sem er notuð reglulega mun að öllu jöfnu endast lengur en sú sem er bara notuð einu sinni á ári.

● Ef það á geyma vélna í lengri tíma án þess að nota hana, mælum við með því að fylgja leiðbeiningunum um langtíma geymslu sem má finna á www.avaofnorway.com

● Það þarf að þrifa síuna á vatnsinntakinu reglulega. Þrýstu penna eða blýant í minnsta gatið á tenginu, þegar það hefur verið losað, og þrýstu síunni út. Skolaðu hana í hreinu vatni og settu aftur í.

Skoðuðu öll skjölin í kassanum, og heimsæktu líka www.avaofnorway.com reglulega, ef þú hefur áhuga á nýjum vörum eða aukahlutum fyrir háþrýstidæluna þína.

Hvernig forðast á að valda skemmdum

Yfirborð, sem verið er að þrifa, skemmist vegna þess að krafturinn frá vatnsþrýstingnum verður meiri en yfirborðið þolir.

Það gæti komið gat á beran við; málning gæti flagnað af. o.s.fr. Þú getur breytt kraftinum frá háþrýstidælnni þinni með því að stjórna:

- horninu milli bununnar og yfirborðsins
- fjarlægðinni milli stútsins og yfirborðsins

Þú skalt aldrei nota granna háþrýstibunu úr stönginni á mjúk yfirborð sem gætu skemmst.

Útbúnaður þriðja aðila

Ef þú vilt nota útbúnað af annarri háþrýstidælu eða frá öðrum framleiðanda, gættu þá að eftirfarandi:

Til að aukahlutir passi þurfa þeir að vera festir með sömu byssustingstengingu og AVA notar. Berðu saman aukahlutina og ekki reyna að festa útbúnað sem virðist vera talsvert öðruvísi.

Láþrýstibúnað, eins og þvottakústa, brúnabursta o.s.fr. má nota óháð AVA gerð, svo lengi sem festa má byssustinginn við stöngina.

Háþrýstibúnaður, eins og fastir stútar, snúningsstútar o.s.fr. hefur stútop sem er lagað að vélinni. Það er mikilvægt að blanda ekki saman aukahlutum sem gerðir eru fyrir mismunandi vélar. Almenn þumalputtaregla er að bera saman uppgefið rafafal vélarinnar, sem aukahluturinn er ætlaður fyrir, saman við uppgefið rafafal vélarinnar sem þú ætlar að nota. Ef það er sambærilegt, getur þú notað útbúnaðinn með vélinni.

Ef vélin slekkur á sér og kveikir á sér á víxl þegar sprautað er, er ekki hægt að nota aukahlutinn.

Sumar háþrýstidælar nota sömu tengi fyrir slöngur og AVA. Ef byssan passar á slönguna á AVA háþrýstidælnni þinni, má nota það sem millistykki fyrir aðra aukahluti. Þú þarf samt að fylgja ráðleggingunum hér að ofan og AVA aukahlutir henta alltaf best.

BILANAGREINING OG ALGENGAR SPURNINGAR

| | |
|--|--|
| Það kviknar ekki á tækinu | Gættu þess að háþrýstidælan sé í „af“stöðu. Stingdu snúrunni í samband í 230 V jarðtengdan tengil (þú skalt ekki nota framlengingarsnúru). |
| Háþrýstislangan tengist ekki við / heldur ekki tengingu við byssuna. Er byssan vandamálið? | Í flestum tilfellum er byssan ekki vandamálið. Vandamálið liggur í gúmmihosunni sem þekur tengilinn á endanum á háþrýstislöngunni. Hún hefur sennilega runnið upp að málmtoppinum. Til að lagfæra það: juðaðu, snúðu og/eða togaðu í gummihulsuna þar til allur toppurinn er sýnilegur auk 3 mm af málm tengilinum fyrir neðan toppinn. Reyndu núna að stinga endanum á slöngunni inn í byssuna. Hún ætti að smella föst og ekki losna fyrr en þrýst er á takkann undir byssunni. Þú getur skorið burt endann á hulsunni með beittum hníf ef þú getur ekki fært hulsuna niður. Gættu þess að skera ekki eða gata slönguna. |
| Tækið er í gangi en það rennur ekkert vatn | Athugaðu vatnsgjafann. Hreinsaðu snútinn á stönginni. (Sjá leiðbeiningar um hvernig á þrifa stútinn undir „Þrif á stutum“.) Eða þú getur tekið stöngina af og sprautað eingöngu með byssunni. Þetta gefur til kynna hvort vandamálið liggir hjá stönginni eða byssunni |
| Hvers vegna lekur vatn þar sem háþrýstislangan tengist við byssuna? | Gættu þess að það sé þéttihringur á endanum á málmtoppinum á háþrýstislöngunni. Tengingin milli slöngunnar og byssunnar mun leka, ef það er enginn þéttihringur til staðar. |
| Ég get ekki fjarlægst stöngina af byssunni. Hvað á ég að gera? | Stöngin er fest við byssuna og fjarlægð af henni á sama hátt. Stingdu skjótlósunar enda stangarinnar inn í byssuna. Þrýstu byssunni og stönginni saman (um 3mm) og snúðu réttisælis. Stöngin mun festast. Þú fjarlægir stöngina með því að fara alveg öfugt að. Þrýstu byssunni og stönginni saman og snúðu rangsælis. Þá mun stöngin renna út. Eða þú getur haldið á byssunni og stönginni í uppréttri stöðu með stútinn á gólfinu. Þrýstu öllu saman niður til að losa um tenginguna, og fylgdu svo ferlinu til að fjarlægja hana aftur. Þú gætir líka sprautað sápuvatni eða smurefni á svæðið þar sem stöngin tengist við byssuna. Mundu að losa/herða láskragann á stönginni milli þess sem tækið er notað! |
| Það kviknaði á háþrýstidælunni í 2 sekúndur, svo slokknaði á henni og nú er ekki hægt að kveikja á henni aftur. Er tækið mitt bilað? | Nei, það hljómar eins og háþrýstidælan virki vel. Þegar vatnið er tengt, allir hlutir settir rétt saman og kveikt á aðalrofanum mun kvikna á háþrýstidælunni í 1-2 sekúndur til undirbúa dæluna. Tækið slekkur sjálfkrafa á sér og bíður eftir því að tekið sé í gikkinn. Þegar tekið er í gikkinn, fer vatn að renna í gegnum dæluna. Vatnsneminn í dælunni nemur vatnið og kveikir sjálfkrafa á háþrýstidælunni. Eða slökktu á aðalrofanum, taktu í gikkinn á byssunni, svo að það komi jöfn vatnsbuna. Meðan þú tekur í gikkinn á byssunni, kveiktu þá aftur á aðalrofanum. |

Español

Antes de utilizar el dispositivo por primera vez, lea estas instrucciones de funcionamiento y seguridad junto con cualquier otro documento suministrado. Guarde todos los documentos para consultas futuras.

Introducción

¡Enhorabuena por la compra de su máquina de lavado de alta presión! Este dispositivo es una herramienta potente y debe manejarse con cuidado.

AVA utiliza una ingeniería inteligente para mejorar la eficiencia de la limpieza y es posible que experimente un mayor nivel de eficiencia en comparación con otros dispositivos de especificaciones similares que haya probado previamente. Realice siempre una prueba de limpieza en una zona menos visible y familiarícese con los accesorios incluidos.

Su dispositivo AVA incluye siempre una manguera de alta presión, una pistola de alta presión, una lanza, una boquilla y un filtro de entrada especial con un conector de manguera de jardín. Nunca use un conector de manguera de jardín normal sin filtro directamente en la máquina.

Si ha comprado un paquete de ampliación, es posible que se incluyan accesorios adicionales. Los contenidos del alcance de la entrega se describen en un documento separado.

Explicación de los símbolos



¡ADVERTENCIA! No dirija el chorro a personas, animales o equipos eléctricos.



¡ADVERTENCIA! Lea atentamente las medidas de seguridad, las advertencias y los consejos de seguridad.



Máquina no apta para la conexión a un suministro de agua potable sin válvula antirretorno a menos que la presión exceda 1 bar.



Lea el manual



Aislamiento doble

Medidas de seguridad, advertencias y consejos de seguridad



Para evitar lesiones personales y/o daños a la propiedad y para aprovechar al máximo su experiencia de lavado a

presión, siga con atención todos los consejos de seguridad, instrucciones, advertencias y medidas de seguridad y familiarícese con todos los controles. Asegúrese de saber con qué frecuencia purgar la presión de todas las piezas de la máquina de lavado de alta presión y cómo apagar la misma.

● Póngase siempre protección visual para evitar lesiones en los ojos al utilizar la máquina de lavado de alta presión.

● Esta máquina de lavado de alta presión cumple las normas de la CE y otras normas de seguridad y del consumidor. No modifique o reconstruya ninguna parte de la máquina de lavado de alta presión.

● No use la máquina de lavado de alta presión bajo la influencia del alcohol o las drogas. Utilice esta herramienta eléctrica con cuidado y sólo cuando esté alerta.

● Controle su posición y su equilibrio al usar la máquina de lavado de alta presión. Las superficies se volverán resbaladizas al mojarse y aún más resbaladizas al usarse un detergente o producto de limpieza.

● Nunca utilice la máquina de lavado de alta presión descalzo, con sandalias o calzado abierto. Asegúrese de usar calzado o botas cubiertas y de protección.

● Al usar la máquina de lavado de alta presión cerca de niños, asegúrese de que estén supervisados por un adulto para evitar lesiones. No permita que un niño use la máquina de lavado de alta presión.

● Mantenga los dedos, manos, pies y partes de su cuerpo alejadas del chorro de agua a alta presión. El potente spray puede causar ceguera o desgarros en la piel. Preste atención a todas las zonas con vidrio, ya que el chorro puede romper ventanas si está demasiado cerca al presionar el gatillo de la pistola de spray.

● Para evitar errores o lesiones, utilice siempre el bloqueo de seguridad del gatillo al no utilizar la máquina de lavado de alta presión, incluso si deja de usarla durante un momento.

● Asegúrese siempre de no dañar la superficie con alta presión.

● Apunte la pistola de spray en una dirección segura al iniciar la sesión de lavado.

● Al usar por primera vez la pistola de spray, sostenga la pistola de spray y la lanza con dos manos para evitar errores o lesiones. Utilice

siempre el bloqueo de seguridad del gatillo al no utilizar la máquina de lavado de alta presión, incluso si deja de usarla durante un momento.

- Al pulsar el interruptor de alimentación para apagar la máquina de lavado de alta presión, podrá quedar en el sistema agua a presión. Para descargar la presión, apunte la pistola de spray en una dirección segura y presione el gatillo.
- Nunca aplique el spray en líquidos inflamables.
- Nunca utilice la máquina de lavado de alta presión en zonas que contengan polvos, líquidos o vapores de combustibles.

● Evite que la manguera a presión entre en contacto con objetos afilados y examínela regularmente. Sustitúyala en caso de daños.

Debido a la gran presión utilizada, no se podrá reparar si se encuentran daños o cortes.

● Utilice solamente detergentes específicamente formulados para la máquina de lavado de alta presión y siga las instrucciones en la etiqueta del detergente. Los detergentes para platos y ropa son demasiado espesos y obstruyen la boquilla de la lanza y la botella de detergente.

● Protéjase los ojos, los pulmones y la piel contra la exposición a detergentes.

● **IMPORTANTE:** Almacene la máquina de lavado de alta presión en interiores para evitar que el agua de la unidad se expanda con temperaturas negativas. Si el agua se congela y expande, la máquina de lavado de alta presión quedará dañada y no podrá utilizarse.

● Nunca use agua caliente con su máquina de lavado de alta presión (40 °C+). Se sobrecalentará y dañará la bomba de alta presión.

● Nunca deje la máquina de lavado de alta presión desatendida si está encendida.

● Active siempre el suministro de agua antes de encender la máquina de lavado de alta presión. Utilizar la bomba en seco causará daños a sus componentes internos.

● Nunca use un suministro de agua que exceda 7 bares de presión en su máquina de lavado de alta presión.

● Nunca desconecte la manguera de alta presión de la máquina de lavado de alta presión mientras el sistema contenga agua a presión.

● Nunca active de forma permanente el mecanismo del gatillo de la pistola de spray.

● Nunca utilice la máquina de lavado de alta presión a menos que todos los componentes estén fijados de una forma segura y adecuada.

● Nunca permita que la bomba de la máquina de lavado de alta presión funcione durante más de un minuto tras cortar el suministro de agua. Esto puede hacer que el motor y la bomba se sobrecalienten y averíen.

● Utilice únicamente lanzas y accesorios especificados para soportar la presión del agua de la máquina.

● Nunca rocíe un enchufe eléctrico con la máquina de lavado de alta presión.

● Inspeccione el cable eléctrico antes de usarlo. No lo use si está dañado.

● Si el cable de alimentación está dañado debe ser reemplazado por el fabricante, su agente de servicio o por personal cualificado para evitar situaciones de peligro.



CAUTION: Read the instructions before using the machine.

● Esta máquina no debe ser utilizada por niños.

Los niños deben ser supervisados para asegurarse de que no juegan con la máquina.

● La máquina puede ser utilizada por personas con capacidades físicas, sensoriales o mentales reducidas o falta de experiencia y conocimiento, si se les supervisa o si reciben instrucciones relacionadas con el uso del aparato de una manera segura y si comprenden los peligros asociados.

● La conexión a la red eléctrica debe ser realizada por un electricista cualificado y debe cumplir con las especificaciones de las máquinas de lavado de alta presión. Se recomienda que el suministro eléctrico de esta máquina incluya un dispositivo de corriente residual que interrumpa el suministro si las pérdidas de corriente a tierra superan los 30 mA durante 30 ms o un dispositivo que compruebe la existencia de la toma de tierra.

● **ADVERTENCIA:** La máquina se ha diseñado para su uso con el producto de limpieza suministrado o recomendado por el fabricante. El uso de otros productos de limpieza o productos químicos puede afectar negativamente la seguridad de la máquina.

● **ADVERTENCIA:** Los chorros de agua a alta presión pueden ser peligrosos si se usan inapropiadamente. El chorro no debe dirigirse a personas, equipos eléctricos conectados o a la misma máquina.

● **ADVERTENCIA:** No utilice la máquina cerca de personas a menos que lleven ropa de protección.

● **ADVERTENCIA:** No dirija el chorro contra sí mismo u otros para limpiar ropa o calzado.

● **ADVERTENCIA:** Riesgo de explosión: no rocíe líquidos inflamables.

● **ADVERTENCIA:** Las mangueras de alta presión, los accesorios y los acoples son importantes para la seguridad de la máquina. Utilice solo mangueras, accesorios y acoples recomendados por el fabricante.

● **ADVERTENCIA:** Para garantizar la seguridad

de la máquina, use solamente piezas de repuesto originales del fabricante o aprobadas por el fabricante.

● **ADVERTENCIA:** El agua que ha fluído a través de las válvulas antirretorno se considera no potable.

● **ADVERTENCIA:** La máquina debe desconectarse de la red eléctrica al desconectar el enchufe de la toma eléctrica durante la limpieza o mantenimiento o al sustituir piezas.

● **ADVERTENCIA:** No utilice la máquina si el cable de alimentación o piezas importantes de la máquina (dispositivos de seguridad, mangueras de alta presión, pistola) están dañadas.

● **ADVERTENCIA:** El uso de cables alargadores inadecuados puede ser peligroso. En caso de usar un cable alargador, debe ser apto para uso exterior y la conexión debe mantenerse seca y elevada. Se recomienda el uso de una bobina para mantener el enchufe del cable al menos a 60 mm por encima del suelo.

● **ADVERTENCIA** Desconecte siempre de la red eléctrica al dejar la máquina desatendida.

Mantenimiento en una máquina de aislamiento doble

En un producto de aislamiento doble hay dos sistemas de aislamiento en vez de una toma a tierra. La toma de tierra no se proporciona para el producto de aislamiento doble y no debe añadirse al producto.

Realizar mantenimiento en un producto de aislamiento doble requiere un cuidado y conocimientos extremos del sistema y solo debe ser realizado por personal cualificado.

Las piezas de repuesto de un producto de aislamiento doble deben ser idénticas a las piezas originales. El producto de aislamiento doble está marcado con las palabras "Aislamiento doble". El producto también puede estar marcado con el símbolo mostrado a continuación.



Instrucciones de desembalaje y preparación

Tras desembalar la máquina de lavado de alta presión, saque las piezas y accesorios. Familiarícese con las piezas del paquete comparándolas con las enumeradas en la caja y los documentos adjuntos. Si debe montar algo, vea las instrucciones de montaje adjuntas.

Conexión de entrada de agua

Conecte el filtro de entrada de agua incluido tal y

como se muestra en la ilustración A. Es suficiente con apretarla con la mano. Nunca use un conector de entrada estándar sin filtro de agua. Conecte la manguera de jardín al conector del filtro. El filtro de agua incluido encaja en conectores rápidos estándar para mangueras de jardín (Gardena).

Manguera de alta presión

Asegúrese de que no haya daños visibles en la manguera de alta presión y conéctela al conector hembra de la máquina tal y como se muestra en la figura B. Conecte el otro extremo en la pistola de alta presión tal y como se muestra en la ilustración C. Una o ambas conexiones pueden estar ya conectadas en fábrica. Si ambos extremos tienen el mismo aspecto, la manguera se puede usar en cualquier sentido. Asegúrese de que la manguera encaja y que está fijada de forma segura.

Pistola de alta presión

Tras conectar la pistola de presión a la manguera, compruebe el gatillo y el bloqueo de seguridad. Abra la válvula de entrada de agua y asegúrese de que no haya fugas. No debe poder escapar agua del conector de entrada de agua, de la máquina, de la manguera de alta presión o de la pistola de alta presión. Asegúrese de que el bloqueo de seguridad / protección infantil funciona, tal y como se muestra en la ilustración D. No debe ser posible apretar el gatillo si el bloqueo de seguridad está activado. Desbloquee el bloqueo y apriete el gatillo hasta que salga de la pistola un chorro de agua continuo y constante.

Pistola de spray, lanza y accesorios

La máquina de lavado de alta presión debe usarse con accesorios montados en la pistola de presión. Todos los accesorios se conectan mediante un conector de bayoneta. Empuje el extremo de bayoneta en el conector hembra de bayoneta, gire en sentido antihorario y suéltelo. Asegúrese de que el accesorio está fijado de forma segura. Vea la ilustración E. Todos los accesorios, a excepción de los accesorios que usan boquillas precisas (como la boquilla turbo) se pueden conectar directamente en la pistola. Por razones de seguridad, los accesorios que usan boquillas precisas (como la boquilla turbo) solo se pueden usar con las lanzas incluidas. Vea la figura F. Esto se debe a reglamentos de seguridad que exigen una distancia mínima entre el asa y chorros de agua peligrosos. Una o más de las boquillas mostradas se incluyen de forma estándar.

Pruebas y arranque

Conecte el cable de alimentación a un enchufe aprobado. En la medida de lo posible, AVA recomienda usar una manguera de extensión a alta

presión (no incluida) en vez de un cable alargador. En caso de usar un cable alargador, este debe ser apto para uso exterior y la sección cruzada del cable debe ser como mínimo de 1,5 mm² en cables de hasta 10 metros y como mínimo de 2 mm² para cables de 10 a 20 metros. Nunca utilice un cable que exceda los 20 metros. Asegúrese de que el bloqueo de seguridad del gatillo esté activado. Gire el interruptor de alimentación de la máquina a "1". Vea la ilustración G. La máquina tiene los símbolos internacionales "0" para OFF y "1" para ON. La máquina debería emitir un breve sonido del motor y parar rápidamente. Dirija la pistola de presión en una dirección segura, desconecte el bloqueo de seguridad y apriete el gatillo. La máquina arrancará y podrá notar el retroceso de la pistola. Cada vez que suelte el gatillo, la máquina debe detenerse inmediatamente. Familiarícese con las distintas boquillas de presión y los chorros de agua que proporcionan. La relación entre potencia, zona de trabajo y distancia se explica en la ilustración H.

INSTRUCCIONES DE FUNCIONAMIENTO

Considere el manual del usuario, las advertencias y use el sentido común. Existen diferentes opiniones sobre lo que puede limpiarse mediante alta presión, pero por experiencia creemos que lo mejor es usar el sentido común. Las ilustraciones H e I muestran algunas posibles zonas de uso, pero recomendamos visitar también nuestra página web para ver más información. Recuerde que la fuerza del agua disminuye y la zona de contacto aumenta al alejarse de la superficie. Recuerde activar siempre el bloqueo de seguridad cuando no sostenga la pistola de presión y siga las instrucciones "después del uso" antes de almacenar la máquina. Es normal que el motor se encienda brevemente. La bomba se ceba automáticamente para estar lista cuando se apriete el gatillo de la pistola de presión. Apague la presión de la máquina de lavado de alta presión si no la usa durante periodos de más de 5 minutos. No presione el gatillo repetidamente ya que esto puede causar una avería total del sistema. Apriete el gatillo lenta y metódicamente. Las juntas tóricas en las bayonetas y lanzas extensores deben limpiarse y lubricarse regularmente mediante un lubricante de grasa o silicona. Para instrucciones sobre accesorios adicionales (comprados por separado o artículos gratuitos) vaya a la página web de AVA: www.avaofnorway.com

Embalaje y almacenamiento

Al acabar de usar la máquina, realice lo siguiente: Active el bloqueo de seguridad de la pistola de presión. Gire el interruptor de alimentación de la máquina de 1 a 0 y corte el flujo de agua del grifo. Desactive el bloqueo de seguridad y presione el gatillo para liberar la presión restante. Tenga en cuenta que el sistema aún está presurizado y dirija el chorro en una dirección segura. Desconecte la manguera de jardín y desconecte la boquilla y/o la lanza de la pistola. Pulse el gatillo una vez más. Podrá salir agua de la conexión de entrada de agua o de la pistola. Active el bloqueo de seguridad en la pistola y desconecte el cable de alimentación. Almacene la máquina y los accesorios en un entorno sin riesgo de temperaturas negativas. Si esto supone un problema, siga las instrucciones para proteger la máquina de estas temperaturas en la página web de AVA: www.avaofnorway.com

Buena suerte con su nueva máquina de lavado de alta presión. Esperamos que esté satisfecho durante años ya sea porque le gusta limpiar o porque la máquina limpia con rapidez. En ambos casos habrá tomado una decisión correcta comprando un producto de AVA.

Consejos generales

- En primer lugar, le recomendamos visitar www.avaofnorway.com para aprender más sobre su máquina de lavado de alta presión, además de sus técnicas, accesorios, etc.
- Limpie de abajo a arriba. Esto le ayuda a ver lo que ha limpiado y garantiza que no enjuaga los productos de limpieza antes de limpiar. Finalmente enjuague de arriba a abajo. Este consejo se aplica a casi cualquier cosa que quiera limpiar.
- No almacene la máquina de lavado de alta presión cerca de calefactores o fuentes de calor ya que esto podría secar las juntas dentro de la bomba.
- Recuerde: Siempre quedará agua residual en la bomba. El agua que se seca con el tiempo puede dejar restos de cal y humus que pueden quedar atascados en las piezas móviles de la bomba. Una máquina de lavado de alta presión que se use regularmente durará más que una que solo se usa una vez al año.
- Si la máquina se va a almacenar durante largos periodos de tiempo sin usarse, recomendamos seguir las directrices de almacenamiento a largo plazo en www.avaofnorway.com.
- El filtro del conector de entrada de agua debe limpiarse regularmente. Empuje un bolígrafo o lápiz a través de la abertura más pequeña en el conector desconectado y empuje el filtro hacia afuera.

Enjuague con agua y vuélvalo a montar.

● Familiarícese con toda la documentación de la caja y entre regularmente en www.avaofnorway.com si está interesado en nuevos productos o accesorios para su máquina de lavado de alta presión.

Cómo evitar daños en las superficies

Se pueden producir daños en las superficies a limpiar dado que la fuerza de impacto de la presión del agua excede la durabilidad de la superficie.

Puede causar lesiones en pies descalzos, puede pelar pintura, etc. Se puede variar la presión de la máquina de lavado de alta presión mediante:

- el ángulo de la pistola de agua hacia la superficie a limpiar
- la distancia de la boquilla hasta la superficie a limpiar

Nunca utilice un chorro fino de agua a alta presión desde la lanza en superficies suaves que puedan dañarse.

Equipos de terceros

Si quiere usar equipos de otra máquina de lavado de alta presión o fabricante, tenga en cuenta lo siguiente:

- Para que los accesorios sean compatibles deben contar con la misma conexión de bayoneta que utiliza AVA. Compare los accesorios y nunca intente conectar equipos que parezcan diferentes.
- Los equipos de baja presión como los cepillos de flujo de agua, cepillos para llantas, etc. se pueden usar independientemente del modelo de AVA, siempre que se pueda conectar el adaptador de bayoneta a la lanza.
- Los equipos de alta presión como boquillas fijas, boquillas giratorias, limpiadores de patios, etc. tienen aperturas de boquilla ajustados a las especificaciones de la máquina. Es importante no mezclar accesorios diseñados para máquinas de especificaciones diferentes. Una directriz general es comparar la potencia especificada de la máquina para la que se ha diseñado el accesorio con la potencia de la máquina para la que se quiere usar. Si son aproximadamente iguales, generalmente puede usar el equipo indistintamente.
- Si la máquina funciona de forma intermitente (se enciende y apaga rápidamente al rociar), el accesorio no puede usarse.
- Algunas pistolas de presión usan la misma conexión de pistola que AVA. Si una pistola de presión encaja en la manguera de su máquina de lavado de alta presión AVA, puede usarla como accesorio para otros accesorios. Deberá seguir las directrices indicadas aunque siempre es mejor usar los accesorios originales de AVA.

RESOLUCIÓN DE PROBLEMAS Y FAQS

La unidad no se enciende.

Asegúrese de que la máquina de lavado de alta presión se encuentre en la posición "OFF". Conecte el cable eléctrico a un enchufe con toma de tierra de 230 V (no utilice un cable extensor).

La manguera de alta presión no se conecta / mantiene conectada a la pistola de spray. ¿Es un problema de la pistola de spray?

En muchos casos el problema no se encuentra en la pistola de spray. El problema se encuentra en el manguito de goma que cubre el acople en el extremo de la manguera de alta presión. Probablemente se ha deslizado hacia la punta de metal. La solución: mueva, gire o estire hacia abajo el manguito de goma hasta que se vea completamente la punta y 1/8" de metal bajo la misma. Ahora intente insertar el extremo de la manguera en la pistola de spray. Debe escuchar un "clic" al conectarse y no debe soltarse hasta volver a sellar la manguera al pulsar la palanca en la parte inferior de la pistola. Puede cortar parte del manguito con un cuchillo afilado si no puede desplazarlo hacia abajo. Tenga cuidado de no cortar o perforar la manguera.

La unidad funciona pero no sale agua.

Compruebe la fuente de agua. Desatasque la boquilla en la lanza. (Vea las instrucciones de limpieza de la boquilla en "Limpieza de las boquillas"). O retire la lanza y rocíe directamente con la pistola de spray. Esto indicará si el problema es de la lanza o la pistola de spray.

¿Por qué se pierde agua en el punto de conexión entre la manguera de alta presión y la pistola de spray?

Asegúrese de que haya una junta tórica en el extremo de la punta de metal de la manguera de alta presión. Si no hay una junta tórica, se producirán fugas entre la manguera y la pistola de spray.

No puedo retirar la lanza de la pistola de spray. ¿Qué puedo hacer?

La lanza se conecta y se retira de la pistola de spray de la misma forma. Inserte el extremo de desmontaje rápido de la lanza en la pistola de spray. Presione la pistola de spray con la lanza (a 1/8") y gire en sentido horario. La lanza quedará fijada. Retire la lanza al invertir el proceso. Presione la pistola de spray con la lanza y gire en sentido antihorario. La lanza se deslizará hacia afuera. O sostenga la pistola de spray y la lanza en posición vertical con la boquilla en el suelo. Empuje todo el conjunto hacia abajo para aflojar la conexión y siga una vez más el proceso de desconexión. También puede rociar agua con jabón o un lubricante en la zona donde la lanza se conecta a la pistola de spray. ¡Recuerde aflojar/apretar el collarín de cierre en la lanza entre operaciones!

La máquina de lavado de alta presión se enciende durante 2 segundos, se apaga y no se vuelve a encender. ¿Tengo una unidad defectuosa?

No, parece que su máquina de lavado de alta presión funciona correctamente. Cuando se conecta el agua, los accesorios se montan correctamente y se enciende el interruptor de alimentación, la máquina de lavado de alta presión se encenderá durante 1 - 2 para cebar la bomba. Automáticamente se apaga y queda a la espera de que se pulse el gatillo de la pistola de spray. Al apretar el gatillo, empezará a fluir agua a través de la bomba. El sensor del agua en la bomba "detecta" el agua en movimiento y enciende la máquina de lavado de alta presión automáticamente. O apague el interruptor y apriete el gatillo de la pistola de spray para tener un chorro de agua continuo. Mientras aprieta el gatillo, encienda a la vez el interruptor.

Italiano

Si prega di leggere queste istruzioni operative e di sicurezza insieme a tutti gli altri documenti forniti prima di cominciare ad usare il dispositivo. Conservare tutti i documenti per riferimenti futuri.

Introduzione

Introduzione

Congratulazioni per la tua nuova idropulitrice! Questo dispositivo è uno strumento potente e deve essere maneggiato con cura.

AVA utilizza un'ingegneria avanzata per migliorare l'efficienza di pulizia e si potrebbe riscontrare un livello di efficienza più elevato se comparato con specifiche apparecchiature provate in precedenza. Eseguire sempre un test di pulizia su un'area meno visibile e acquisire familiarità con gli accessori inclusi.

Il dispositivo AVA include sempre un tubo ad alta pressione, una pistola ad alta pressione, una lancia, un ugello e un filtro di ingresso appositamente realizzato con un raccordo per tubo da giardino. Non utilizzare mai un normale raccordo per tubo da giardino senza filtro direttamente sulla macchina. Se hai acquistato un modello espanso potrebbero essere inclusi degli accessori aggiuntivi. Il contenuto della dotazione è descritto in un documento separato.

Spiegazione dei simboli



AVVERTENZA! Non dirigere il getto su persone, animali o apparecchiature elettriche.



AVVERTENZA! Leggere attentamente le avvertenze e i consigli di sicurezza.



La macchina non è adatta per essere collegata alla rete idrica potabile senza valvola di riflusso, a meno che la pressione dell'acqua non superi 1 bar.



Leggere il manuale



Doppio isolamento

Misure di salvaguardia, avvertenze e consigli di sicurezza



Per evitare lesioni personali e/o danni alle proprietà e per massimizzare l'esperienza di lavaggio, seguire attentamente tutti i

suggerimenti di sicurezza, le istruzioni, le avvertenze e le misure di salvaguardia e acquisire familiarità con tutti i comandi. Assicurarsi di sapere come scaricare rapidamente la pressione da tutte le parti dell'idropulitrice e come spegnere l'idropulitrice.

- Indossare sempre delle protezioni per gli occhi per evitare lesioni agli occhi durante il funzionamento dell'idropulitrice.
- Questa idropulitrice è conforme alle normative CE e alle altre norme di sicurezza e di protezione dei consumatori. Non modificare o ricostruire alcuna parte dell'idropulitrice.
- Non usare l'idropulitrice quando si è sotto l'effetto di alcol o droghe. Utilizzare questo elettrotensile con attenzione e solo quando si è vigili.
- Mantenere l'equilibrio e fare attenzione a dove si mettono i piedi mentre si usa l'idropulitrice. Le superfici diventano scivolose quando sono bagnate e sono ancora più scivolose quando si utilizza un detergente o un detersivo.
- Non mettere mai in funzione l'idropulitrice a piedi nudi, mentre si indossano sandali o scarpe aperte. Assicurarsi di indossare scarpe o stivali protettivi completamente chiusi.
- Quando si utilizza l'idropulitrice vicino ai bambini, assicurarsi che siano attentamente sorvegliati da un adulto per evitare lesioni. Non lasciare mai che un bambino utilizzi l'idropulitrice.
- Tenere le dita, le mani, i piedi e parte del corpo lontano dal getto d'acqua ad alta pressione. Il potente spruzzo può causare cecità o lacerazioni nella pelle. Prestare attenzione a tutte le superfici di vetro, poiché il getto potrebbe addirittura rompere una finestra se si è troppo vicini quando si preme il grilletto della pistola a spruzzo.
- Per evitare incidenti o lesioni, utilizzare sempre il blocco di sicurezza del grilletto quando non si utilizza l'idropulitrice anche se si interrompe lo spruzzo solo per un momento.
- Testare sempre la superficie per assicurarsi di non danneggiarla con l'alta pressione.
- Quando si inizia una sessione di lavaggio puntare la pistola a spruzzo in una direzione sicura.
- Quando si utilizza la pistola a spruzzo per la prima volta, tenere la pistola a spruzzo e la lancia con due mani per evitare incidenti o lesioni, utilizzare sempre il blocco di sicurezza del grilletto quando non si utilizza l'idropulitrice anche se si interrompe lo spruzzo solo per un momento.
- Quando si preme l'interruttore di alimentazione per spegnere l'idropulitrice, la pressione dell'acqua potrebbe rimanere nel dispositivo. Per scaricare la pressione, puntare la pistola in una direzione sicura e premere il grilletto.

- Non spruzzare mai liquidi infiammabili.
- Non utilizzare mai l'idropulitrice in aree che contengono polveri, liquidi o vapori infiammabili.
- Evitare il contatto del tubo a pressione con oggetti appuntiti ed esaminarlo regolarmente. Sostituirlo se danneggiato. -A causa dell'alta pressione, non può essere riparato se tagliato o danneggiato.
- Utilizzare solo un detersivo specifico per idropultrici e seguire le istruzioni sull'etichetta del detersivo. Il sapone per i piatti o per il bucato è troppo denso e ostruirà l'ugello della lancia e del flacone del detersivo.
- Proteggere gli occhi, i polmoni e la pelle dall'esposizione al detersivo.
- **IMPORTANTE:** conservare l'idropultrice in ambienti chiusi per evitare che l'acqua dell'unità si espanda in condizioni di congelamento. Quando l'acqua si congela e si espande, l'idropultrice verrà danneggiata e diventerà inutilizzabile.
- Non usare mai acqua calda con l'idropultrice (40°C+). Si surriscalerà e danneggerà la pompa ad alta pressione.
- Non lasciare mai l'idropultrice incustodita mentre è accesa.
- Accendere sempre l'alimentazione dell'acqua ("on") prima di accendere l'idropultrice su "on". Far funzionare la pompa a secco causerà danni ai componenti interni.
- Non utilizzare mai un rifornimento idrico per l'idropultrice che superi un massimo di 7 bar.
- Non scollegare mai il tubo ad alta pressione dall'idropultrice mentre il sistema è in pressione.
- Non inserire mai in modo permanente i meccanismi di innesco sulla pistola a spruzzo.
- Non utilizzare mai l'idropultrice a meno che tutti i componenti non siano collegati correttamente e in modo sicuro.
- Non consentire mai alla pompa dell'idropultrice di funzionare per più di un minuto, dopo aver spento l'alimentazione dell'acqua. Ciò può causare il surriscaldamento e il guasto del motore e della pompa.
- Utilizzare solo lance e accessori appositamente realizzati per resistere alla pressione dell'acqua della macchina.
- Non spruzzare mai alcuna presa elettrica con l'idropultrice.
- Ispezionare il cavo di alimentazione prima dell'uso. Non utilizzarlo se è danneggiato.
- Se il cavo di alimentazione è danneggiato, per evitare pericoli deve essere sostituito dal produttore, dal suo agente di servizio o da persone adeguatamente qualificate.



ATTENZIONE: leggere le istruzioni prima di utilizzare la macchina.

- La macchina non deve essere utilizzata dai bambini. I bambini devono essere sorvegliati per assicurarsi che non giochino con la macchina.
- L'apparecchio può essere utilizzato da persone con ridotte capacità fisiche, sensoriali o mentali o con mancanza di esperienza e competenza, se sono state sottoposte a supervisione o gli sono state fornite le istruzioni relative all'uso dell'apparecchio in modo sicuro e comprendono i pericoli coinvolti.
- Il collegamento dell'alimentazione elettrica deve essere eseguito da un elettricista qualificato e deve rispettare le specifiche delle idropultrici. Si raccomanda che l'alimentazione elettrica a questa macchina includa un dispositivo a corrente residua che interromperà l'alimentazione se la corrente di dispersione verso terra supera i 30 mA per 30 ms o un dispositivo che provi il circuito di terra.
- **ATTENZIONE:** questa macchina è stata progettata per l'uso con il detersivo fornito o raccomandato dal produttore. L'uso di altri detersivi o prodotti chimici può influire negativamente sulla sicurezza della macchina.
- **ATTENZIONE:** i getti ad alta pressione possono essere pericolosi se soggetti ad un uso improprio. Il getto non deve essere diretto a persone, apparecchiature elettriche in tensione o alla macchina stessa.
- **AVVERTENZA:** non utilizzare la macchina nelle vicinanze delle persone a meno che non indossino indumenti protettivi.
- **ATTENZIONE:** non dirigere il getto contro se stessi o gli altri per pulire indumenti o calzature.
- **AVVERTENZA:** rischio di esplosione - Non spruzzare liquidi infiammabili.
- **ATTENZIONE:** i tubi ad alta pressione, i raccordi e i giunti sono importanti per la sicurezza della macchina. Utilizzare solo tubi, raccordi e giunti raccomandati dal produttore.
- **AVVERTENZA:** per garantire la sicurezza della macchina, utilizzare solo pezzi di ricambio originali del produttore o approvati dal produttore.
- **AVVERTENZA:** l'acqua che è fluita attraverso le valvole di riflusso è considerata non potabile.
- **ATTENZIONE:** la macchina deve essere scollegata dalla sua fonte di alimentazione, rimuovendo la spina dalla presa durante la pulizia o la manutenzione e quando si sostituiscono le parti.
- **AVVERTENZA:** non utilizzare la macchina se un cavo di alimentazione o parti importanti della macchina sono danneggiati, come ad es. i dispositivi di sicurezza, i tubi ad alta pressione, la

pistola a grilletto.

● **ATTENZIONE:** I cavi di prolunga inadeguati possono essere pericolosi. Se viene utilizzata una prolunga, deve essere adatta per l'uso all'aperto e l'attacco deve essere mantenuto asciutto e sollevato da terra. Si raccomanda che ciò avvenga per mezzo di un avvolgicavo che mantiene la presa ad almeno 60 mm da terra.

● **ATTENZIONE** quando si lascia la macchina incustodita disinserire sempre l'interruttore di disconnessione dalla rete.

Manutenzione di un apparecchio a doppio isolamento

In un prodotto a doppio isolamento, sono previsti due sistemi di isolamento anziché la messa a terra. I mezzi di messa a terra non sono previsti per un prodotto a doppio isolamento e non dovrebbero essere aggiunti mezzi di messa a terra al prodotto. La manutenzione di un prodotto a doppio isolamento richiede estrema cura e conoscenza del sistema e deve essere eseguita solo da personale di assistenza qualificato.

Le parti di ricambio per un prodotto a doppio isolamento devono essere identiche alle parti originali. Un prodotto a doppio isolamento è contrassegnato dalle parole "Doppio isolamento". Il prodotto può anche essere contrassegnato con il simbolo mostrato di seguito.



Istruzioni di disimballaggio e preparazione

Dopo aver disimballato l'IDROPULTRICE AD ALTA PRESSIONE, disporre le parti e gli accessori. Acquisire familiarità con le parti nella confezione confrontandole con quelle elencate sulla confezione e sui documenti allegati. Se è necessario il montaggio, consultare le istruzioni di montaggio allegiate.

Collegamento dell'ingresso dell'acqua

Collegare il filtro di ingresso dell'acqua incluso come mostrato nell'illustrazione A, è sufficiente stringerlo a mano. Non utilizzare mai un connettore di ingresso standard senza filtro dell'acqua. Collegare il tubo da giardino al connettore del filtro. Il filtro dell'acqua incluso si adatta ai connettori rapidi standard per i tubi da giardino (Gardena).

Tubo ad alta pressione

Assicurarsi che non vi siano danni visibili al tubo ad alta pressione e collegarlo al connettore femmina sulla macchina come mostrato nell'illustrazione

B. Collegare l'altra estremità nella pistola ad alta pressione come mostrato nell'illustrazione C. Una o entrambe di queste connessioni potrebbero già essere state collegate dalla fabbrica. Se entrambe le estremità sembrano uguali, il tubo può essere utilizzato in entrambe le direzioni. Accertarsi che il flessibile scatti in posizione e sia fissato saldamente.

Pistola ad alta pressione

Dopo aver collegato la pistola a pressione al tubo, provare il grilletto e il blocco di sicurezza. Aprire la valvola di uscita dell'acqua che entra nella macchina e assicurarsi che non vi siano perdite. L'acqua non dovrebbe essere in grado di fuoriuscire dal connettore di ingresso dell'acqua, dalla macchina, dal tubo ad alta pressione o dalla pistola ad alta pressione. Assicurarsi che il blocco di sicurezza/a prova di bambino funzioni, come mostrato nella figura D. Non dovrebbe essere possibile premere il grilletto mentre il blocco di sicurezza è inserito. Sbloccare la sicurezza e premere il grilletto fino a quando dalla pistola non vi è un flusso d'acqua costante e uniforme.

Pistola a spruzzo, lancia e accessori

L'idropulitrice deve essere utilizzata con gli accessori montati sulla pistola a pressione. Tutti gli accessori sono collegati mediante un connettore a baionetta. Spingere l'estremità a baionetta nel connettore a baionetta femmina, ruotare in senso antiorario e rilasciare. Assicurarsi che l'accessorio sia fissato saldamente. Fare riferimento all'illustrazione E. Tutti gli accessori, ad eccezione degli accessori che utilizzano ugelli con punta a spillo (ad esempio l'ugello turbo) possono essere attaccati direttamente sulla pistola. Per motivi di sicurezza, gli accessori che utilizzano ugelli con punta a spillo (ad esempio l'ugello turbo) devono essere utilizzati solo con le lance incluse, vedere la figura F. Ciò è dovuto alle norme di sicurezza che stabiliscono una distanza minima tra la maniglia e i getti d'acqua. Uno o più degli ugelli illustrati sono inclusi come standard.

Test e avvio

Inserire il cavo di alimentazione in una presa di corrente approvata. Nel limite del possibile, AVA consiglia di utilizzare una prolunga per tubo a pressione (non inclusa) anziché utilizzare una prolunga del cavo di alimentazione. Se viene utilizzata una prolunga, deve essere approvata per l'uso all'aperto e la sezione trasversale del cavo deve essere di almeno 1,5 mm² su un cavo fino a 10m e di un minimo di 2 mm² per cavi da 10m a 20m. Non utilizzare mai un cavo che superi i 20m. Assicurarsi che il blocco di sicurezza sul grilletto

sia inserito. Portare l'interruttore di alimentazione sulla macchina su "1", vedere l'illustrazione G. La macchina ha i simboli internazionali "0" per acceso e "1" per spento. La macchina dovrebbe emettere un breve suono del motore e arrestarsi rapidamente. Dirigere la pistola a pressione in una direzione sicura, disinnestare il blocco di sicurezza e premere il grilletto. La macchina ora si avvierà e potrebbe verificarsi un notevole contraccolpo/movimento nella pistola. Ogni volta che il grilletto viene rilasciato, la macchina dovrebbe arrestarsi rapidamente. Acquisire familiarità con i diversi ugelli di pressione e i getti d'acqua che questi erogano. La relazione tra potenza, area di lavoro e distanza è spiegata nell'illustrazione H.

Istruzioni per l'uso

Tenere conto del manuale dell'utente e delle avvertenze e usare il buon senso. Esistono opinioni diverse su ciò che può essere pulito usando l'alta pressione, ma dalla nostra esperienza, il buon senso ti porterà lontano. Le illustrazioni H e I mostrano alcune delle possibilità e delle aree di utilizzo, ma consigliamo di visitare anche il nostro sito web per ulteriori informazioni. Ricordarsi che la forza dell'acqua diminuisce, mentre l'area di contatto aumenta con una maggiore distanza superficiale. Ricordarsi di inserire sempre il blocco di sicurezza mentre non si tiene la pistola a pressione e seguire le istruzioni "dopo l'uso" prima di riporre la macchina. Se il motore si accende per brevi periodi, questo è del tutto normale. La pompa si sta innescando per essere pronta all'uso quando il grilletto della pistola a pressione viene premuto. Spegnerne l'idropulitrice, se non è utilizzata per periodi superiori a 5 minuti. Non premere più volte il grilletto in rapida successione, poiché ciò potrebbe causare un malfunzionamento del sistema di arresto totale. Premere il grilletto lentamente e metodicamente. Gli o-ring all'interno delle baionette e le lance di estensione devono essere puliti regolarmente e lubrificati con grasso o lubrificante a base di silicone. Per istruzioni sugli accessori extra acquistati separatamente o per articoli bonus, visitare il sito web AVA: www.avaofnorway.com

Imballaggio e conservazione

Al termine dell'utilizzo della macchina, procedere come segue: inserire l'interruttore di sicurezza sulla pistola a pressione. Ruotare l'interruttore di alimentazione sulla macchina da 1 a 0 e disattivare il flusso d'acqua dal rubinetto. Disinnestare l'interruttore di sicurezza e premere il grilletto per rilasciare l'alta pressione residua. Tenere presente che fino a questo punto il sistema è ancora sotto

pressione e assicurarsi di puntare lo spruzzo verso una direzione sicura. Scollegare il tubo da giardino e staccare l'ugello e/o la lancia dalla pistola. Premere nuovamente il grilletto. Un po' di acqua potrebbe fuoriuscire dal collegamento di ingresso dell'acqua o dalla pistola. Terminare inserendo l'interruttore di sicurezza sulla pistola e scollegare la spina di alimentazione. Conservare la macchina e gli accessori in un ambiente che non presenta rischi di congelamento. Se ciò presenta un problema, seguire le istruzioni per la protezione antigelo della macchina sul sito web AVA www.avaofnorway.com

Buona fortuna con la tua nuova idropulitrice. Speriamo che possa soddisfarti per gli anni a venire, sia se ti piace pulire o se vuoi fare le cose rapidamente. In entrambi i casi hai preso la decisione migliore acquistando un AVA.

Suggerimenti generali

- In primo luogo, il miglior consiglio che possiamo dare è di visitare www.avaofnorway.com per saperne di più sulla tua idropulitrice, nonché su tecniche, accessori, ecc.
- Pulire dal basso verso l'alto. Questo ti aiuta a vedere quello che hai pulito e ti assicura di non sciacquare via i detersivi prima di pulire effettivamente. Infine, risciacquare dall'alto verso il basso. Questo suggerimento si applica a quasi tutto ciò che vuoi pulire.
- Non conservare l'idropulitrice vicino a caloriferi o altre fonti di calore, poiché ciò potrebbe provocare l'essiccazione delle guarnizioni all'interno della pompa.
- Ricorda: rimarrà sempre dell'acqua residua nella pompa. L'acqua che si asciuga nel tempo, potrebbe lasciare calcare o humus che potrebbero rimanere incastrati nelle parti mobili della pompa. Un'idropulitrice che viene utilizzata regolarmente durerà normalmente più a lungo di una che viene usata solo una volta all'anno.
- Se la macchina deve rimanere inutilizzata per lunghi periodi, si raccomanda di seguire le linee guida per la conservazione a lungo termine disponibili su www.avaofnorway.com
- Il filtro sul connettore di ingresso dell'acqua deve essere pulito regolarmente. Spingere una penna o una matita nell'apertura più piccola del connettore staccato ed estrarre il filtro. Risciacquare in acqua pulita e rimontare.
- Acquisire familiarità con tutta la documentazione nella confezione e controllare regolarmente www.avaofnorway.com se si è interessati a nuovi prodotti o accessori per l'idropulitrice.

Come evitare di danneggiare le superfici

I danni alle superfici da pulire si verificano perché la forza di impatto della pressione dell'acqua supera la resistenza della superficie. Il legno grezzo può essere penetrato; la vernice può essere staccata, ecc. E' possibile variare la potenza dell'idropulitrice controllando:

- l'angolazione dello spruzzo d'acqua rispetto alla superficie da pulire

- la distanza dell'ugello dalla superficie da pulire

Non utilizzare mai un flusso d'acqua ad alta pressione dalla lancia su superfici morbide suscettibili di danni.

Apparecchiature di terzi

Se si desidera utilizzare le attrezzature di un'altra idropulitrice o di un altro produttore, tenere presente quanto segue:

- Perché gli accessori siano compatibili, devono essere dotati della stessa connessione a baionetta utilizzata da AVA. Confrontare gli accessori e non provare mai a collegare delle apparecchiature che sembrano notevolmente diverse.
- È possibile utilizzare attrezzature a bassa pressione, come spazzole per il flusso d'acqua, spazzola per bordi, ecc. indipendentemente dal modello AVA, purché l'adattatore a baionetta possa essere fissato alla lancia.
- Le apparecchiature ad alta pressione, come ugelli fissi, ugelli rotanti, pulitori per terrazze, ecc. dispongono tutte di aperture per gli ugelli regolate in base alle specifiche della macchina. È importante non mischiare accessori realizzati per macchine con specifiche diverse. Una linea guida generale è quella di confrontare il wattaggio specifico della macchina per la quale l'accessorio è destinato con il wattaggio della macchina che si desidera utilizzare. Se sono approssimativamente uguali, in genere è possibile utilizzare l'apparecchiatura in modo intercambiabile.
- Se la macchina pulsa (si accende e si spegne rapidamente durante la spruzzatura), non è possibile utilizzare l'accessorio.

Alcune pistole a pressione utilizzano la stessa connessione del tubo di AVA. Se una pistola a pressione si adatta al tubo della tua idropulitrice AVA, può essere utilizzata come adattatore per altri accessori. Non ti resta che seguire le linee guida suddette e gli accessori originali AVA saranno sempre la scelta migliore.

RISOLUZIONE DEI PROBLEMI E FAQ

| | |
|--|---|
| L'unità non si accende. | Assicurarsi che l'idropulitrice sia in posizione "OFF". Collegare il cavo elettrico ad una presa da 230 volt con messa a terra (non utilizzare un cavo di prolunga elettrico). |
| Il tubo ad alta pressione (HP) non si collega/ rimane collegato alla pistola a spruzzo. È un problema della pistola a spruzzo? | Nella maggior parte dei casi, il problema non è la pistola a spruzzo. Il problema è il manicotto di gomma che copre il raccordo all'estremità del tubo ad alta pressione. Probabilmente è scivolato verso la punta metallica. La soluzione è quella di muovere, girare e/o tirare giù il manicotto di gomma fino a quando è visibile l'intera punta più un 1/8" del raccordo metallico sotto la punta. Provare quindi ad inserire la punta del tubo nella pistola a spruzzo. Dovrebbe "scattare" in posizione e non uscirà fino a quando il tubo non viene rilasciato spingendo la leva sul lato inferiore della pistola. Se non si riesce a spostare la manica verso il basso, è possibile tagliare l'estremità della manica con un coltello affilato. Fare attenzione a non tagliare o forare il tubo. |
| L'unità è in funzione ma non c'è flusso d'acqua | Controllare la fonte d'acqua. Sbloccare l'ugello sulla lancia. (Consultare le istruzioni per la pulizia degli ugelli nella sezione "Pulizia degli ugelli"). Oppure togliere la lancia e spruzzare semplicemente dalla pistola a spruzzo. Questo indicherà se il problema riguarda la lancia o la pistola a spruzzo. |
| Perché c'è una perdita d'acqua nel punto in cui il tubo ad alta pressione si collega alla pistola a spruzzo? | Assicurarsi che vi sia un o-ring all'estremità della punta metallica del tubo ad alta pressione. Se non è presente alcun o-ring, il punto di collegamento tra il tubo flessibile e la pistola a spruzzo perderà. |
| Non riesco a rimuovere la lancia dalla pistola a spruzzo. Cosa dovrei fare? | La lancia viene attaccata e rimossa dalla pistola a spruzzo nello stesso modo. Inserire l'estremità a rilascio rapido della lancia nella pistola a spruzzo. Premere insieme la pistola a spruzzo e la lancia (circa 1/8 ") e ruotare in senso orario. La lancia si bloccherà in posizione. Rimuovere la lancia invertendo questa procedura. Premere la pistola a spruzzo e la lancia insieme e girare in senso antiorario. La lancia scivolerà fuori. Oppure tenere la pistola a spruzzo e la lancia in posizione verticale con l'estremità dell'ugello sul pavimento. Spingere tutto l'insieme verso il basso per allentare la connessione, quindi seguire nuovamente il processo di rimozione. È inoltre possibile spruzzare dell'acqua saponata o un lubrificante nell'area in cui la lancia si collega alla pistola a spruzzo. Durante le operazioni ricordarsi di allentare/stringere il collare di bloccaggio sulla lancia! |
| L'idropulitrice si accende per 2 secondi, si spegne e non si riaccende. Ho un'unità difettosa? | No, sembra che la tua idropulitrice funzioni bene. Quando l'acqua è collegata, gli accessori sono assemblati correttamente e l'interruttore di alimentazione è acceso, l'idropulitrice si accenderà per 1 - 2 secondi per innescare la pompa. Si spegne automaticamente e attende che il grilletto della pistola a spruzzo venga premuto. Quando si preme il grilletto, l'acqua inizia a fluire attraverso la pompa. Il sensore dell'acqua nella pompa "rileva" l'acqua in movimento e accende automaticamente l'idropulitrice. Oppure spegnere l'interruttore di alimentazione, tenere premuto il grilletto della pistola a spruzzo, in modo da avere un flusso costante di acqua. Mentre si tiene aperto il grilletto sulla pistola a spruzzo, contemporaneamente accendere l'interruttore di alimentazione. |

Português

Leia estas instruções de operação e segurança, juntamente com outros documentos divulgados antes do uso inicial do dispositivo. Mantenha todos os documentos para referência futura.

Introdução

Parabéns pela sua nova lavadora de alta pressão! Este aparelho é uma ferramenta poderosa e deve ser manuseado com cuidado.

A AVA usa engenharia inteligente para melhorar a eficiência da limpeza, e pode comprovar um maior nível de eficiência comparativamente a outros aparelhos que usou previamente. Realize sempre um teste de limpeza numa área menos visível, familiarize-se com os acessórios incluídos.

O seu aparelho AVA inclui sempre uma mangueira de alta pressão, pistola de alta pressão, uma lança, um bico e um filtro de entrada específico com um conector para mangueira de jardim. Nunca use um conector de mangueira de jardim comum sem filtro diretamente na máquina.

Se comprou um pacote, poderão estar incluídos mais acessórios. Os conteúdos do âmbito de entrega estão descritos num documento em separado.

Explicação dos símbolos



AVISO! Não direcione o jato para pessoas, animais ou equipamentos elétricos.



AVISO! Leia as salvaguardas, avisos e dicas de segurança com cuidado.



Máquina não adequada para conexão à rede de água potável sem válvula de retorno, a menos que a pressão da água exceda 1 bar.



Leia o manual



Isolamento duplo

Salvaguardas, Avisos e Dicas de Segurança



Para evitar ferimentos e/ou danos à propriedade e maximizar sua experiência com lavagem com energia, siga cuidadosamente todas as dicas de segurança, instruções, avisos e salvaguardas e familiarize-se com todos os controlos. Certifique-se de que sabe

como aliviar rapidamente a pressão de todas as partes da lavadora de alta pressão e como desligar a lavadora de alta pressão.

- Use sempre proteção ocular para evitar lesões oculares ao manobrar a lavadora de alta pressão.
- Esta lavadora de alta pressão está em conformidade com a CE e outras normas de segurança e do consumidor. Não modifique ou reconstrua nenhuma parte de sua lavadora de alta pressão.
- Não utilize a sua lavadora de energia quando estiver sob a influência de álcool ou medicamentos. Utilize esta ferramenta elétrica com cuidado e somente quando estiver alerta.
- Tenha cuidado com o seu equilíbrio e onde coloca os pés durante a utilização do aparelho. As superfícies ficam escorregadias quando molhadas e ficam ainda mais escorregadias quando se usa detergente ou produtos de limpeza.
- Nunca utilize o aparelho descalço, com chinelos ou sandálias. Certifique-se de usar sapatos ou botas protetoras cobertas.
- Ao utilizar a lavadora perto de crianças, certifique-se de que estas são supervisionadas por um adulto para evitar acidentes. Nunca deixe que o aparelho seja utilizado por uma criança.
- Mantenha os dedos, mãos, pés e parte do corpo afastados do jato de água de alta pressão. O jato poderoso pode causar cegueira ou provocar orifícios na pele. Preste atenção em todas as superfícies de vidro, pois o jato pode quebrar uma janela se estiver muito perto ao puxar o gatilho da pistola.
- Para evitar acidentes ou ferimentos, utilize sempre a travagem de segurança do gatilho quando não estiver a usar a lavadora de alta pressão, mesmo que a pulverização pare por um momento.
- Teste sempre a superfície para garantir que não a danificar com elevada pressão.
- Aponte a pistola de pulverização para uma direção segura ao iniciar uma sessão de lavagem de elevada pressão.
- Ao usar a pistola de pulverização pela primeira vez, segure a pistola e a lança com as duas mãos para evitar acidentes ou ferimentos; use sempre a travagem de segurança do gatilho quando não estiver a usar a lavadora, mesmo que a pulverização pare por um momento.
- Ao pressionar o botão ligar/desligar para desligar a lavadora, a pressão da água pode permanecer no sistema. Para descarregar a pressão, aponte a pistola numa direção segura e aperte o gatilho.
- Nunca pulverize líquidos inflamáveis.
- Nunca use a lavadora em áreas que contenham

poeira combustível, líquidos ou vapores.

- Evite o contacto da mangueira de pressão com objetos pontiagudos e examine-a regularmente. Substitua-o se estiver danificado. -Devido à alta pressão envolvida, não pode ser reparada se cortada ou danificada.
- Use apenas detergente especificamente formulado para lavadoras elétricas e siga as instruções na etiqueta do detergente. O sabão da loiça ou da roupa é demasiado espesso e obstruirá o bico da sua lança e garrafa de detergente.
- Proteja os olhos, pulmões e pele de exposição ao detergente.
- **IMPORTANTE:** Armazene a lavadora de energia em ambientes fechados para impedir que a água na unidade se expanda sob condições de congelamento. Quando a água congela e se expande, a sua lavadora de alta pressão fica danificada e fica inoperante.
- Nunca use água quente com a sua lavadora de alta pressão (acima de 40°C). Fazê-lo irá sobreaquecer e danificar a bomba de alta pressão.
- Nunca deixe a máquina de lavar sem vigilância enquanto estiver ligada.
- Ligue sempre a fonte de água antes de ligar a máquina de lavar. O funcionamento da bomba a seco irá causar danos aos componentes internos.
- Nunca utilize uma fonte de água na sua lavadora que exceda 7 bar no máximo.
- Nunca desligue a mangueira de alta pressão lavadora elétrica enquanto o sistema estiver pressurizado.
- Nunca engate permanentemente os mecanismos de gatilho na pistola de pulverização.
- Nunca opere a lavadora elétrica até que todos os componentes estejam ligados de forma segura e adequada.
- Nunca permite que a bomba da lavadora elétrica funcione durante mais de um minuto, depois de ter ligado a fonte de água. Isso pode levar o motor e a bomba a sobreaquecer e a falhar.
- Utilize apenas lanças e acessórios específicos para suportar a pressão da água da máquina.
- Nunca pulverize qualquer tomada elétrica com a sua lavadora elétrica.
- Inspeccione o cabo de alimentação antes de o usar. Não use se estiver danificado.
- Se o cabo de alimentação estiver danificado, deve ser substituído pelo fabricante, pelo seu agente de assistência técnica ou por um profissional igualmente qualificado, para evitar qualquer perigo.



AVISO: Leia as instruções antes de usar a máquina.

- A máquina não deve ser usada por crianças. As crianças devem ser vigiadas para garantir que não brincam com o aparelho.
- Este aparelho pode ser usado por pessoas com capacidades físicas, sensoriais ou mentais reduzidas, ou por pessoas sem experiência e conhecimentos, se as mesmas forem supervisionadas ou se receberem instruções relativas à utilização do aparelho de forma segura e compreenderem os riscos envolvidos.
- A ligação da fonte de alimentação elétrica deve ser feita por um electricista qualificado e cumprir com as especificações das lavadoras de alta pressão. Recomenda-se que a energia elétrica para esta máquina deva incluir um dispositivo de corrente residual que interromperá o fornecimento se a corrente de fuga para a ligação à terra exceder os 30 mA em 30 m ou um dispositivo que controle a ligação ao circuito de terra.
- **AVISO:** Esta máquina foi criada para uso com o agente de limpeza fornecido ou recomendado pelo fabricante. O uso de outros produtos de limpeza ou químicos pode afetar negativamente a segurança da máquina.
- **AVISO:** Jatos de alta pressão podem ser perigosos se utilizados incorretamente. O jato não deve ser direcionado para pessoas, equipamentos elétricos ativos ou à própria máquina.
- **AVISO:** Não use a máquina ao alcance de pessoas, a menos que elas usem roupas de proteção.
- **AVISO:** Não direcione o jato contra si ou outras pessoas para limpar roupas ou calçados.
- **AVISO:** Risco de explosão - Não pulverize líquidos inflamáveis.
- **AVISO:** Mangueiras, ligações e acoplamentos de alta pressão são importantes para a segurança da máquina. Utilize apenas mangueiras, ligações e acoplamentos recomendados pelo fabricante.
- **AVISO:** Para garantir a segurança da máquina, use apenas peças de reposição originais do fabricante ou aprovadas pelo fabricante.
- **AVISO:** A água que flui através das válvulas de refluxo é considerada não potável.
- **AVISO:** A máquina deve ser desligada da fonte de alimentação, removendo a ficha da tomada durante a limpeza ou manutenção e ao substituir peças.
- **AVISO:** Não use a máquina se um cabo de alimentação ou partes importantes da máquina estiverem danificados, por exemplo, dispositivos de segurança, mangueiras de alta pressão, pistola de gatilho.
- **AVISO:** Os cabos de extensão inadequados podem ser perigosos. Se for utilizado um cabo de extensão, este deve ser adequado para uso

externo e a ligação deve ser mantida seca e fora do chão. Recomenda-se que isso seja realizado por meio de um enrolador de cabo que mantenha a tomada pelo menos 60 mm acima do solo.

● **AVISO:** Desligue sempre o interruptor de desconexão da rede elétrica ao deixar a máquina sem vigilância.

Manutenção de um aparelho com isolamento duplo

Num produto com isolamento duplo, são fornecidos dois sistemas de isolamento em vez de ligação à terra. Os meios de ligação à terra não são fornecidos para produtos com isolamento duplo, nem devem ser adicionados meios de ligação à terra ao produto.

A manutenção de um produto com isolamento duplo requer extremo cuidado e conhecimento do sistema e deve ser realizada apenas por pessoal qualificado.

As peças de reposição para um produto com isolamento duplo devem ser idênticas às peças originais. Um produto com isolamento duplo é marcado com as palavras "Isolamento duplo" ou "Com Isolamento Duplo". O produto também pode ser marcado com o símbolo mostrado abaixo



Instruções para Desembalar e Preparação

Depois de desembalar a lavadora de alta pressão, coloque as peças e os acessórios. Familiarize-se com as partes da embalagem comparando-as com as listadas na caixa e com os documentos em anexo. Se for necessária montagem, consulte as instruções de montagem anexas.

Ligação da Entrada de Água

Ligue o filtro de entrada de água incluído, conforme mostrado na ilustração A, basta apertar com a mão. Nunca use um conector de entrada padrão sem filtro de água. Ligue a sua mangueira de jardim ao conector do filtro. O filtro de água incluído se encaixa nos conectores rápidos padrão para mangueiras de jardim (Gardena).

Mangueira de Alta Pressão

Verifique se não há danos visíveis na mangueira de alta pressão e ligue-a ao conector fêmea na máquina, como mostrado na ilustração B. Ligue a outra extremidade à pistola de alta pressão, como mostrado na ilustração C. Uma ou ambas as ligações já poderiam estar efetuadas de fábrica. Se as duas extremidades forem iguais, a mangueira pode ser usada em ambas direções. Verifique se 54

ouve um "click" indicando que a mangueira está no lugar e apertada devidamente.

Pistola de Alta Pressão

Depois de ligar a pistola de pressão à mangueira, teste o gatilho e a travagem de segurança. Abra a válvula de saída de água que entra na máquina e verifique se não existem fugas. Não deve escapar água pelo conector de entrada de água, mangueira de alta pressão ou pistola de alta pressão. Verifique se a travagem de segurança/à prova de crianças funciona, como mostrado na ilustração D. Não deve ser possível pressionar o gatilho enquanto a travagem de segurança estiver engatada. Desbloqueie a segurança e pressione o gatilho até que haja um fluxo constante e uniforme de água da pistola.

Pistola de Pulverização, Lança e Acessórios

A lavadora de alta pressão deve ser usada com acessórios montados na pistola de pressão. Todos os acessórios são ligados através de um conector do tipo baioneta. Empurre a extremidade da baioneta no conector fêmea da baioneta e gire no sentido contrário ao dos ponteiros do relógio e solte-o. Verifique se o acessório está bem preso. Consulte a ilustração E. Todos os acessórios, com exceção dos acessórios que usam bocais de ponta de pino (por exemplo, o bico turbo) podem ser ligados diretamente à pistola. Por motivos de segurança, os acessórios que usam bocais de ponta de pino (por exemplo, o bico turbo) devem ser usados apenas com a(s) lança (s) incluída(s), consulte a figura F. Isso deve-se aos regulamentos de segurança que determinam uma distância mínima entre a manivela e jatos de água prejudiciais. Um ou mais dos bocais mostrados nas imagens estão incluídos como padrão.

Teste e Inicialização

Ligue o cabo de alimentação a uma tomada aprovada. Na medida do possível, a AVA recomenda o uso de uma extensão da mangueira de pressão (não incluída) em vez de uma extensão do cabo de alimentação. Se for utilizado um cabo de extensão, este deve ser aprovado para uso externo, e a secção transversal do cabo deve ser de no mínimo 1,5 mm² num cabo de até 10 m e de no mínimo 2 mm² de cabos de 10 a 20 m. Nunca use um cabo que exceda 20m. Verifique se a travagem de segurança no gatilho está engatada. Gire o botão de ligar/desligar para "1", conforme a ilustração G. A máquina tem símbolos internacionais "0" para desligar e "1" para ligar. A máquina deve emitir um som curto no motor e parar rapidamente. Direcione a pistola de pressão

numa direção segura, desengate a travagem de segurança e pressione o gatilho. A máquina iniciará agora e pode haver um notável movimento de contração/recuo na pistola. Sempre que o gatilho é libertado, a máquina deve parar rapidamente. Familiarize-se com os diferentes bocais de pressão e os jatos de água que proporcionam. A relação entre potência, área de trabalho e distância é explicada na ilustração H.

Instruções de funcionamento

Consulte o manual do utilizador e os avisos e utilize o bom senso. Existem opiniões diferentes sobre o que pode ser limpo utilizando alta pressão, mas, de acordo com nossa experiência, o uso do bom senso é sempre recomendável. As ilustrações H e I mostram algumas das possibilidades e áreas de uso, mas recomendamos também que visite o nosso site para obter mais informações. Lembre-se de que a força da água diminui, enquanto a área de contacto aumenta quanto maior for a distância da superfície. Não se esqueça de engatar sempre a travagem de segurança enquanto não segura a pistola de pressão e siga as instruções “após o uso” antes de guardar a máquina. É completamente normal o motor ligar-se durante curtos períodos. A bomba está pronta para funcionar ao pressionar o gatilho da pistola de pressão. Desligue a lavadora de alta pressão, se não for usada por períodos superiores a 5 minutos. Não pressione o gatilho várias vezes em rápida sucessão, já que isso pode causar o mau funcionamento do sistema de paragem. Aperte o gatilho lenta e metodicamente. Os anéis o-ring dentro das baionetas e lanças de extensão devem ser limpos regularmente e lubrificadas com graxa ou lubrificante à base de silicone.

Para obter instruções sobre acessórios extras - adquiridos separadamente ou itens de bónus, acesse ao site da AVA: www.avaofnorway.com

Embalagem e armazenamento

Quando terminar de usar a máquina, faça o seguinte: Ative o interruptor de segurança na pistola de pressão. Gire o interruptor da máquina de 1 para 0 e desligue o fluxo de água da torneira. Desative o interruptor de segurança e pressione o gatilho para libertar a alta pressão restante. Não se esqueça que, nesta altura, o sistema ainda se encontra pressurizado, por isso certifique-se de que aponta a pulverização numa direção segura. Desligue a mangueira de jardim e desconecte o bocal e/ou lança da pistola. Pressione o gatilho novamente. Pode sair um pouco de água da conexão de entrada de água ou da pistola. Termine ao pressionar o interruptor de segurança na pistola e desconecte a ficha da tomada elétrica.

Armazene a máquina e os acessórios num ambiente em que não exista risco de temperaturas congelantes. Se isso for difícil, siga as instruções para proteção contra congelamento da máquina no site da AVA: www.avaofnorway.com

Boa sorte com sua nova lavadora de alta pressão. Esperamos que lhe proporcione satisfação nos próximos anos, quer goste de limpar ou de fazer as coisas rapidamente. Em ambos os casos, tomou a melhor decisão ao comprar um produto AVA.

Sugestões Gerais

- Em primeiro lugar, o melhor conselho que lhe podemos dar é visitar www.avaofnorway.com para saber mais sobre sua lavadora de alta pressão, bem como técnicas, acessórios, etc.
- Limpe de baixo para cima. Isso ajuda-a a ver o que limpou e garante que não enxague os agentes de limpeza antes de limpar. Por fim, enxague de cima para baixo. Esta dica aplica-se a praticamente quase tudo o que limpar.
- Não guarde a lavadora de alta pressão perto de aquecedores ou outras fontes de calor, pois isso pode levar à secagem das juntas dentro da bomba.
- Lembre-se: haverá sempre água residual na bomba. A água que seca com o tempo pode deixar cal ou húmus para trás, o que pode ficar preso nas partes móveis da bomba. Uma lavadora de alta pressão usada regularmente costuma durar mais que uma que só usa uma vez por ano.
- Se a máquina precisar de ser armazenada por longos períodos sem ser usada, recomendamos que siga as indicações para armazenamento de longo prazo encontradas em www.avaofnorway.com
- O filtro no conector de entrada de água deve ser limpo regularmente. Empurre uma caneta ou lápis na menor abertura no conector desconectado e empurre o filtro para fora. Enxague com água limpa e volte a montar.
- Familiarize-se com toda a documentação na caixa e verifique www.avaofnorway.com regularmente, se estiver interessado nos novos produtos ou acessórios para a sua lavadora de alta pressão.

Como Evitar Danos às Superfícies

Os danos às superfícies que estão a ser limpas ocorrem quando a força de impacto exercida pela pressão da água excede a durabilidade da superfície. A madeira pura pode ser penetrada; a pintura pode sair, etc. Pode variar a força da sua lavadora elétrica ao controlar:

- O ângulo do jato de água em relação à superfície que está a ser limpa
- A distância do bocal à superfície que está a ser

limpa

Nunca use um fluxo estreito de água de alta pressão da lança em superfícies macias suscetíveis a danos.

Equipamentos de Terceiros

Se deseja usar equipamentos de outra lavadora de alta pressão ou fabricante, tenha em conta o seguinte:

- Para que os acessórios sejam compatíveis, deve estar equipado com a mesma conexão de baioneta usada pela lavadora AVA. Compare os acessórios e nunca tente conectar equipamentos que pareçam significativamente diferentes.
- Equipamentos de baixa pressão, como escovas de fluxo de água, escovas de aro etc. podem ser usados independentemente do modelo AVA, desde que o adaptador de baioneta possa ser conectado à lança.
- Todos os equipamentos de alta pressão, como bocais fixos, rotativos, limpadores de pátio, etc. possuem aberturas de bocais ajustadas às especificações da máquina. É importante não misturar acessórios feitos para máquinas com especificações diferentes. Uma indicação geral é comparar a potência especificada da máquina para a qual o acessório se destina, com a potência da máquina que deseja usar. Se forem aproximadamente iguais, regra geral, pode usar o equipamento de forma intercambiável.
- Se a máquina estiver a pulsar (liga-se e desliga-se rapidamente durante a pulverização), o acessório não pode ser usado.

Algumas pistolas de pressão usam a mesma conexão de mangueira que a lavadora AVA. Se uma pistola de pressão encaixar na mangueira da sua lavadora de pressão AVA, poderá ser usada como adaptador para outros acessórios. Ainda assim, deve seguir as indicações acima e os acessórios originais AVA serão sempre a melhor escolha.

RESOLUÇÃO DE PROBLEMAS E PERGUNTAS FREQUENTES

| | |
|--|--|
| A unidade não liga. | Verifique se a lavadora elétrica está na posição "OFF". Ligue o cabo elétrico a uma tomada ligada à terra de 230 volts (não deve utilizar nenhuma extensão elétrica). |
| A mangueira de alta pressão (HP) não se liga/permanece ligada à pistola de pulverização. Este problema diz respeito à pistola de pulverização? | Na maioria dos casos, a pistola de pulverização não é o problema. O problema é o revestimento de borracha que cobre a ligação no final da mangueira de alta pressão. Provavelmente deslizou em direção à ponta de metal. A correção: mexa, torça e/ou puxe o revestimento de borracha para baixo até que toda a ponta fique visível mais 1/8 "do encaixe de metal abaixo da ponta. Agora, experimente inserir a ponta da mangueira na pistola de pulverização. Esta deve fazer "click" ao encaixar e não deverá sair até que a mangueira seja libertada ao pressionar a alavanca na parte inferior da pistola. Pode cortar a parte final do revestimento com uma faca afiada se não conseguir mover para baixo. Tenha cuidado para não cortar ou perfurar a mangueira. |
| A unidade funciona, mas não há fluxo de água | Verifique a fonte de água. Desentupa o bocal da lança. (Consulte as instruções de limpeza dos bocais em "Limpeza dos bocais".) Ou, em alternativa, remova a lança e pulverize a pistola. Isto permitirá identificar se o problem está na lança ou na pistola de pulverização |
| Porque que é que a água vazava na zona onde a mangueira de alta pressão se liga à pistola de pulverização? | Verifique se há um anel o-ring no final da ponta metálica da mangueira de alta pressão. Caso não exista nenhum anel o-ring presente, a ligação entre a mangueira e a pistola de pulverização irá vazava. |
| Não consigo remover a lança da pistola. O que devo fazer? | A lança é encaixada e removida da pistola de pulverização da mesma forma. Introduza a extremidade de libertação rápida da lança na pistola de pulverização. Pressione a pistola de pulverização e a lança simultaneamente (cerca de 1/8") e gire no sentido dos ponteiros do relógio. A lança ficará presa na sua posição. Remova a lança fazendo o procedimento inverso. Pressione a pistola de pulverização e a lança em conjunto e gire no sentido dos ponteiros do relógio. A lança deslizará para fora. Ou, em alternativa, segure a pistola de pintura e a lança na posição vertical, com a extremidade do bocal no chão. Empurre o conjunto inteiro para baixo para soltar a ligação e siga o processo de remoção novamente. Também pode borrifar água com sabão ou lubrificante na área onde a lança se liga à pistola de pulverização. Lembre-se de afrouxar/apertar o colar de travagem na lança entre as operações. |
| A lavadora elétrica liga-se durante 2 segundos, desliga-se e não se volta a ligar. Tenho uma unidade com defeito? | Não, parece que a sua lavadora elétrica está a funcionar bem. Quando a água está ligada, os acessórios estão ligados de forma adequada e o interruptor está ligado, a lavadora elétrica liga-se durante 1 a 2 segundos para iniciar a bomba. A lavadora desliga-se automaticamente e aguarda que o gatilho na pistola de pulverização seja pressionado. Quando o gatilho for pressionado, a água começa a fluir pela bomba. O sensor de água na bomba "deteta" a água em movimento e liga automaticamente a lavadora elétrica. Ou, em alternativa, desligue o interruptor, segure o gatilho da pistola de pulverização, para ter um fluxo constante de água. Enquanto mantém o gatilho aberto na pistola de pulverização, ao mesmo tempo, ligue o interruptor. |

Polski

Przed pierwszym użyciem urządzenia należy przeczytać instrukcję obsługi i wskazówki bezpieczeństwa oraz wszelkie inne załączone dokumenty. Zachowaj wszystkie dokumenty do wykorzystania w przyszłości.

Instrukcja

Gratulujemy zakupu nowej myjki ciśnieniowej! To urządzenie to potężne narzędzie, z którym należy obchodzić się ostrożnie.

Marka AVA korzysta z najnowszych usprawnień inżynierskich, aby poprawić wydajność czyszczenia, dzięki czemu możesz się cieszyć z wyższego poziomu wydajności w porównaniu do innych urządzeń tego typu. Zawsze wykonuj test czyszczenia w miejscu mniej widocznym i zapoznaj się z działaniem dołączonych akcesoriów.

Twoje urządzenie marki AVA zawsze zawierać będzie wał wysokociśnieniowy, pistolet wysokociśnieniowy, lancę, dyszę i specjalnie zaprojektowany filtr wlotowy ze złączem węża ogrodowego. Nigdy nie montuj zwykłego złącza węża ogrodowego bez filtra bezpośrednio do urządzenia. Jeśli zakupiłeś urządzenie z rozszerzonym pakietem, dołączone mogą być dodatkowe akcesoria. Zawartość danego kompletu określona jest w osobnym dokumencie.

Objaśnienie symboli



UWAGA! Nie kieruj strumienia na osoby, zwierzęta lub urządzenia elektryczne.



UWAGA! Przeczytaj uważnie środki ostrożności, ostrzeżenia i wskazówki dotyczące bezpieczeństwa.



Urządzenie nie nadaje się do podłączenia do sieci wody pitnej bez zaworu zwrotnego, chyba że ciśnienie wody przekracza 1 bar.



Przeczytaj instrukcję



Podwójna izolacja

Zabezpieczenia, ostrzeżenia oraz wskazówki dotyczące bezpieczeństwa



Aby uniknąć obrażeń ciała i/lub szkód materialnych oraz aby zmaksymalizować komfort czyszczenia, należy dokładnie przestrzegać wszystkich wskazówek bezpieczeństwa, instrukcji, ostrzeżeń i zabezpieczeń oraz zapoznać się ze wszystkimi elementami sterującymi. Upewnij się, że wiesz, jak szybko pozbyć się ciśnienia ze wszystkich

części urządzenia oraz jak je wyłączyć.

- Zawsze noś okulary ochronne, aby uniknąć obrażeń oczu podczas pracy myjki.
- Myjka mechaniczna zgodna jest z CE oraz innymi normami bezpieczeństwa i normami konsumenckimi. Nie modyfikuj ani nie przebudowuj żadnej części urządzenia.
- Nie używaj myjki, będąc pod wpływem alkoholu lub narkotyków. Używaj tego elektronarzędzia ostrożnie i tylko wtedy, gdy jesteś w pełni świadomy.
- Uważaj na zachowanie równowagi podczas używania myjki. Powierzchnie stają się śliskie, gdy są mokre, i są wyjątkowo śliskie, gdy stosuje się detergent lub środek czyszczący.
- Nigdy nie używaj myjki stojąc boso, nosząc sandały lub buty z otwartymi palcami. Pamiętaj, aby nosić pełne obuwie ochronne.
- Korzystając z myjki elektrycznej w pobliżu dzieci, upewnij się, że są pod ścisłym nadzorem osoby dorosłej, aby uniknąć obrażeń. Nigdy nie pozwalaj dziecku korzystać z myjki elektrycznej.
- Trzymaj palce, dłonie, stopy i część ciała z dala od strumienia wody. Silne ciśnienie może powodować ślepotę lub znaczne uszkodzenie skóry. Uważaj na wszystkie szklane powierzchnie, ponieważ strumień może rozbić szybę, jeśli będziesz zbyt blisko.
- Aby uniknąć nieszczęśliwych wypadków lub obrażeń, zawsze używaj blokady bezpieczeństwa spustu, gdy nie korzystasz z urządzenia, nawet jeśli funkcja spryskiwania będzie już zatrzymana.
- Zawsze testuj powierzchnię, aby upewnić się, że nie zostanie uszkodzona pod wpływem wysokiego ciśnienia.
- Skieruj pistolet w bezpiecznym kierunku, rozpoczynając sesję prania mechanicznego.
- Podczas pierwszego użycia pistoletu, trzymaj pistolet i lancę obiema rękami. Aby ochronić się przed wypadkiem zawsze używaj blokady bezpieczeństwa spustu, gdy nie korzystasz z myjki, nawet jeśli funkcja spryskiwania będzie już zatrzymana.
- Po naciśnięciu przełącznika zasilania w celu wyłączenia myjki, w systemie może pozostać ciśnienie wody. Aby rozładować ciśnienie, skieruj pistolet natryskowy w bezpiecznym kierunku i pociągnij za spust.
- Nigdy nie rozpylaj łatwopalnych cieczy.
- Nigdy nie używaj myjki elektrycznej w miejscach, w których znajduje się łatwopalny pył, cieple lub opary.
- Unikaj kontaktu węża ciśnieniowego z ostrymi przedmiotami i regularnie sprawdzaj wał. Wymierni, jeśli jest uszkodzony. Ze względu na wysokie ciśnienie, nie można go naprawić, jeśli zostanie przecięty lub uszkodzony.
- Używaj tylko detergentu specjalnie przeznaczonego do myjek i postępuj zgodnie z instrukcjami na etykiecie detergentu. Mydło do naczyń lub prania jest zbyt gęste i zatka dyszę lany oraz butelki z detergentem.
- Chroń oczy, płuca i skórę przed kontaktem z detergentem.

- **WAŻNE:** Przechowuj myjkę w pomieszczeniu, aby zapobiec rozszerzeniu się wody w urządzeniu w warunkach zamarzania. Jeśli woda zamarźnie i rozszerzy się, urządzenie zostanie uszkodzone i przestanie działać.
- Nigdy nie używaj gorącej wody z myjką elektryczną (40 ° C +). Spowoduje to przegrzanie i uszkodzenie pompy wysokociśnieniowej.
- Nigdy nie pozostawiaj myjki bez nadzoru, gdy zasilanie jest włączone.
- Zawsze należy włączyć dopływ wody przed włączeniem zasilania. Uruchamianie pompy na sucho spowoduje uszkodzenie elementów wewnętrznych.
- Nigdy nie używaj wody zasilającej, przekraczającej 7 barów.
- Nigdy nie odłączaj węża wysokociśnieniowego od myjki, jeśli system znajduje się pod ciśnieniem.
- Nigdy nie włączaj na stałe mechanizmów spustowych pistoletu natryskowego.
- Nigdy nie uruchamiaj myjki, dopóki wszystkie elementy nie zostaną prawidłowo i bezpiecznie podłączone.
- Nigdy nie pozwól, aby pompa spryskiwacza działała dłużej niż minutę, po odcięciu dopływu wody. Może to spowodować przegrzanie silnika oraz pompy i uszkodzić urządzenie.
- Używaj tylko lanc i akcesoriów, które odporne są na określone ciśnienie wody.
- Nigdy nie spryskuj żadnego gniazda elektrycznego myjką elektryczną.
- Przed użyciem sprawdź przewód zasilający. Nie używaj go, jeśli jest uszkodzony.
- Jeśli przewód zasilający jest uszkodzony, musi zostać wymieniony przez producenta, przedstawiciela serwisu lub osoby o podobnych kwalifikacjach, aby uniknąć zagrożenia.



UWAGA: Przeczytaj instrukcję przed użyciem urządzenia.

- Z urządzenia nie powinny korzystać dzieci. Dzieci powinny znajdować się pod nadzorem, aby upewnić się, że nie bawią się urządzeniem.
- Z urządzenia nie mogą korzystać osoby o ograniczonych zdolnościach motorycznych, sensorycznych lub umysłowych, lub bez doświadczenia i wiedzy, chyba że otrzymają odpowiedni nadzór lub instrukcje, dotyczące bezpiecznego korzystania z urządzenia i rozumieją związane z tym zagrożenia.
- Podłączenie zasilania elektrycznego musi być wykonane przez wykwalifikowanego elektryka i zgodnie ze specyfikacją myjki. Zaleca się, aby zasilac myjkę urządzeniem różnicowoprądowym, które przerwie zasilanie, jeśli prąd upływowy do ziemi przekroczy 30 mA przez 30 ms, lub urządzenie, które potwierdzi obwód uziemienia.
- **UWAGA:** To urządzenie zostało zaprojektowane do użytku ze środkiem czyszczącym, dostarczonym lub zalecanym przez producenta. Stosowanie innych

środków czyszczących lub chemicznych może niekorzystnie wpłynąć na bezpieczeństwo urządzenia.

- **UWAGA:** Dysze wysokociśnieniowe mogą być niebezpieczne, jeśli zostaną niewłaściwie użyte. Strumień nie może być kierowany na osoby, inne urządzenia elektryczne będące pod napięciem lub na samą myjkę.
- **UWAGA:** Nie używaj urządzenia w zasięgu osób, chyba że noszą odzież ochronną.
- **UWAGA:** Nie kieruj strumienia w swoją stronę lub w stronę innych w celu czyszczenia ubrań lub obuwia.
- **UWAGA:** Ryzyko wybuchu - Nie rozpylać łatwopalnych cieczy.
- **UWAGA:** Węże wysokociśnieniowe, armatura i złączki są ważnym elementem bezpieczeństwa urządzenia. Używaj wyłącznie węży i złączek zalecanych przez producenta.
- **UWAGA:** Aby zapewnić bezpieczeństwo, należy używać wyłącznie oryginalnych części zamiennych od producenta lub zatwierdzonych przez producenta.
- **UWAGA:** Woda, która przepłynęła przez zawory zwrotne, jest uważana za niezdatną do picia.
- **UWAGA:** Urządzenie należy odłączyć od źródła zasilania, wyjmując wtyczkę z gniazdka podczas czyszczenia lub konserwacji i podczas wymiany części.
- **UWAGA:** Nie używaj urządzenia, jeśli przewód zasilający lub ważne części urządzenia są uszkodzone, np. elementy zabezpieczające, wąż wysokociśnieniowy, pistolet spustowy.
- **UWAGA:** Niewłaściwe przedłużacze mogą być niebezpieczne. Jeśli używasz przedłużacza, powinien on być odpowiedni do użytku na zewnątrz, a połączenie musi być utrzymywane w stanie suchym i nad ziemią. Zaleca się użycie szpuli z linką, która utrzymuje gniazdo co najmniej 60 mm nad ziemią.
- **UWAGA:** Zawsze wyłączaj odłącznik sieciowy, jeśli pozostawiasz myjkę bez nadzoru.

Serwisowanie urządzenia z podwójną izolacją

W podwójnie izolowanym urządzeniu, zamiast uziemienia, zastosowano dwa systemy izolacji. Konstrukcja myjek podwójnie izolowanych nie zawiera środków uziemiających. Nie należy dodawać do urządzenia środków uziemiających. Serwisowanie podwójnie izolowanego urządzenia wymaga szczególnej uwagi i znajomości systemu i powinno być wykonywane wyłącznie przez wykwalifikowany personel serwisowy. Części zamienne do podwójnie izolowane myjki ciśnieniowej muszą być identyczne z częściami oryginalnymi. Urządzenie podwójnie izolowane jest oznaczony słowami „Podwójna izolacja” lub „Podwójnie izolowany”. Urządzenie może, także posiadać symbol pokazany poniżej.



Rozpakowywanie i przygotowywanie do użytku

Po rozpakowaniu MYJKI WYSOKOCIŚNIENIOWEJ rozłóż obok siebie części i akcesoria. Zapoznaj się dokładnie ze wszystkimi częściami w zestawie, porównując je z wymiennymi na pudełku i załączonymi dokumentami. Jeśli wymagany jest montaż, zapoznaj się z dołączoną instrukcją montażu.

Złącze wlotu wody

Zamocuj dołączony filtr wlotowy wody, jak pokazano na ilustracji A; wystarczy dokręcić ręką. Nigdy nie używaj standardowego złącza wlotowego bez filtra wody. Podłącz wąż ogrodowy do złącza filtra. Dołączony filtr wody pasuje do standardowych szybkozłączy do wężu ogrodowych (Gardena).

Wąż wysokociśnieniowy

Upewnij się, że nie ma widocznych uszkodzeń węża wysokociśnieniowego i podłącz go do złącza żeńskiego w maszynie, jak pokazano na ilustracji B. Podłącz drugi koniec do pistoletu wysokociśnieniowego, jak pokazano na ilustracji C. Jedno lub oba połączenia mogą już posiadać połączenie fabryczne. Jeśli oba końce wyglądają tak samo, wąż można zastosować w obu kierunkach. Upewnij się, że wąż zatrzasnął się we właściwym miejscu i jest dobrze zamocowany.

Pistolet wysokociśnieniowy

Po podłączeniu pistoletu ciśnieniowego do węża przetestuj spust i blokadę bezpieczeństwa. Otwórz zawór wylotowy wody wchodzący do urządzenia i upewnij się, że nie ma wycieków. Woda nie powinna wydostawać się przez złącze wlotowe wody, elementy urządzenia, wąż lub pistolet wysokociśnieniowy. Upewnij się, że blokada bezpieczeństwa/zabezpieczenie przed dziećmi działa poprawnie, jak pokazano na ilustracji D. Po włączeniu blokady bezpieczeństwa naciśnięcie spustu nie powinno być możliwe. Odblokuj zabezpieczenie i zwolnij spust, aż pojawi się równomierny strumień wody z pistoletu.

Pistolet natryskowy, lanca oraz akcesoria

Myjka ciśnieniowa przeznaczona jest do stosowania z akcesoriami zamontowanymi na pistolecie ciśnieniowym. Wszystkie akcesoria są mocowane za pomocą złącza bagnetowego. Wciśnij koniec bagnetowy do żeńskiego złącza bagnetowego, obróć w lewo i puść. Upewnij się, że akcesorium jest bezpiecznie zamocowane. Patrz ilustracja E. Wszystkie akcesoria, z wyjątkiem akcesoriów, które wykorzystują dysze punktowe (na przykład turbo), można zamocować bezpośrednio na pistolecie. Ze względów bezpieczeństwa akcesoria, które wykorzystują dysze punktowe (na przykład turbo), mogą być używane tylko z dołączoną lanką, patrz rysunek F. Jest to spowodowane przepisami bezpieczeństwa, które określają minimalną odległość między uchwytem a dyszą. Co najmniej jedna z przedstawionych dysz jest 60

dołączona w standardzie.

Test i uruchomienie

Podłącz kabel zasilający do odpowiedniego gniazda elektrycznego. Jeśli to możliwe, zalecamy stosowanie przedłużacza węża ciśnieniowego (nie wchodzi w skład zestawu), zamiast przedłużacza przewodu zasilającego. Jeśli używany jest przedłużacz, musi być przeznaczony do użytku zewnętrznego, a jego przekrój musi wynosić co najmniej 1,5 mm² przy kablu o długości do 10 m oraz co najmniej 2 mm² od 10m do 20m długości. Nigdy nie używaj kabla o długości przekraczającej 20 m. Upewnij się, że blokada bezpieczeństwa na spuście jest włączona. Ustaw wyłącznik zasilania urządzenia w pozycji „1”, patrz ilustracja G. Urządzenie ma międzynarodowe symbole „0” dla wyłączenia i „1” dla włączenia. Urządzenie powinno wydać krótki dźwięk silnika i szybko się zatrzymać. Skieruj pistolet ciśnieniowy w bezpiecznym kierunku, zwolnij blokadę bezpieczeństwa i zwolnij spust. Myjka uruchomi się teraz. Możesz poczuć odrzut/ruch w pistolecie. Za każdym razem, gdy spust zostanie zwolniony, urządzenie powinno natychmiast się zatrzymać. Zapoznaj się z różnymi dyszami ciśnieniowymi i produkowanymi przez nie strumieniami wody. Zależność między mocą, obszarem pracy i odległością wyjaśniono na ilustracji H.

Instrukcja obsługi

Zapoznaj się z instrukcją obsługi oraz z UWAGAMI, a także kieruj się zdrowym rozsądkiem. Istnieją różne opinie na temat tego, co można zczyścić za pomocą wysokiego ciśnienia, ale z naszego doświadczenia wynika, że zdrowy rozsądek będzie dla Ciebie najlepszym przewodnikiem. Ilustracje H i I pokazują niektóre możliwości i obszary zastosowania, ale zalecamy, również odwiedzenie naszej strony internetowej, aby uzyskać więcej informacji. Pamiętaj, że siła wody zmniejsza się, a powierzchnia kontaktu zwiększa się wraz z większą odległością od powierzchni. Pamiętaj, aby zawsze włączać blokadę bezpieczeństwa, jeśli odkładasz pistolet oraz przestrzegaj instrukcji „Po użyciu” przed schowaniem urządzenia. Jeśli silnik urządzenia włącza się tylko na chwilę, jest to całkowicie normalne. Pompa przygotowuje się, aby być gotowa do pracy, gdy spust pistoletu ciśnieniowego jest wyłączony. Wyłącz myjkę ciśnieniową, jeśli nie będzie używana przez okres dłuższy niż 5 minut. Nie naciskaj spustu kilka razy w krótkim odstępie czasu, ponieważ może to spowodować nieprawidłowe działanie układu całkowitego zatrzymania. Ścisnij spust powoli i metodycznie. O-ringi wewnątrz bagnetów i przedłużaczy powinny być regularnie czyszczone i smarowane za pomocą smaru lub smaru na bazie silikonu.

Aby uzyskać instrukcję dotyczące dodatkowych akcesoriów - zakupionych osobno lub przedmiotów promiowych - przejdź na stronę: www.avaofnorway.com

Pakowanie i przechowywanie

Po zakończeniu korzystania z urządzenia wykonaj następujące czynności: Włącz przełącznik bezpieczeństwa na pistolecie ciśnieniowym. Obróć przełącznik zasilania z pozycji 1 na 0 i wyłącz przepływ wody z kranu. Odłącz wyłącznik bezpieczeństwa i naciśnij spust, aby uwolnić pozostałe wysokie ciśnienie. Pamiętaj, że do tego momentu system nadal znajduje się pod ciśnieniem i pamiętaj o skierowaniu lancy w bezpiecznym kierunku. Odłącz węzł ogrodowy i odłącz dyszę i/lub lancę od pistoletu. Naciśnij spust ponownie. Część wody może wypłynąć z przyłącza wlotowego wody lub pistoletu. Zakończ, włączając przełącznik bezpieczeństwa na pistolecie i odłączając wtyczkę zasilania.

Przechowuj urządzenie oraz akcesoria w środowisku, w którym nie ma ryzyka zamarznięcia. Jeśli stanowi to wyzwanie, postępuj zgodnie z instrukcjami dotyczącymi ochrony przed zamarzaniem na stronie AVA: www.avaofnorway.com

Powodzenia w użytkowaniu Twojej nowej myjki ciśnieniowej! Mamy nadzieję, że zapewni Ci ona satysfakcję w nadchodzących latach, bez względu na to, czy lubisz sprzątać, czy chcesz tylko szybko załatwić tę sprawę. W obu przypadkach, podjąłeś najlepszą decyzję z możliwych, kupując urządzenie marki AVA.

Ogólne wskazówki

- Po pierwsze, najlepszą radą, jaką możemy udzielić, jest odwiedzenie strony www.avaofnorway.com, aby dowiedzieć się na temat swojej myjki ciśnieniowej, a także o technice użytkowania, akcesoriach itp.
- Zawsze czyść od dołu do góry. Pomaga to zauważyć, co wyczyściłeś i zapewnia, że nie spłukujesz środków czyszczących przed ich faktycznym czyszczeniem. Na koniec spłucz od góry do dołu. Ta wskazówka dotyczy prawie wszystkiego, co chcesz wyczyścić.
- Nie przechowuj myjki ciśnieniowej w pobliżu grzejników lub innych źródeł ciepła, ponieważ może to doprowadzić do wyschnięcia uszczelek wewnątrz pompy.
- PAMIĘTAJ: W pompie zawsze pozostanie woda resztkowa. Woda, która wysycha z czasem, może pozostawić kamień lub rdzę, które mogą utknąć w ruchomych częściach pompy. Trwałość myjki, która jest regularnie używana, jest zwykle większa, niż tej, która używana jest raz do roku.
- Jeśli urządzenie ma być przechowywane przez dłuższy czas bez użycia, zalecamy postępowanie, zgodnie z wytycznymi, dotyczącymi przechowywania długoterminowego na stronie www.avaofnorway.com
- Filtr na złączy wlotu wody powinien być regularnie czyszczony. Wciśnij długopis lub otówek w najmniejszy otwór w odłączonym złączy i wypchnij filtr. Opłucz w czystej wodzie i zamontuj.
- Zapoznaj się z całą dokumentacją, znajdującą się w opakowaniu, a także regularnie odwiedzaj naszą stronę www.avaofnorway.com jeśli jesteś zainteresowany

nowymi produktami lub akcesoriami do Twojej myjki ciśnieniowej.

Jak uniknąć niszczenia powierzchni

Uszkodzenie czyszczonych powierzchni powstaje wówczas, kiedy siła uderzenia ciśnienia wody przewyższa wytrzymałość powierzchni. Lite, niepolakierowane drewno może ulec penetracji; możesz spowodować złuszczenie się farby na pomalowanych powierzchniach itp. Aby modyfikować siłę myjki, kontroluj:

- kąt natrysku wody w stosunku do czyszczonej powierzchni

- odległość dyszy od czyszczonej powierzchni
Nigdy nie używaj wąskiego strumienia wody pod wysokim ciśnieniem z lancy na delikatnych powierzchniach, podatnych na uszkodzenia.

Akcesoria innej marki

Jeśli chcesz używać akcesoriów od innych producentów, pamiętaj o następujących kwestiach:

- Aby akcesoria były kompatybilne, muszą być one wyposażone w to samo złącze bagnetowe, z którego korzysta AVA. Porównaj akcesoria i nigdy nie próbuj podłączać sprzętu, który wygląda inaczej niż oryginał.
- Niezależnie od modelu myjki marki AVA, można bezpiecznie stosować akcesoria niskociśnieniowe, takie jak szczotki do przepływu wody, szczotki do felg itp., o ile adapter bagnetowy można przymocować do lancy.
- Urządzenia wysokociśnieniowe, takie jak nieruchome dysze, dysze obrotowe, akcesoria do czyszczenia tarasów itp. mają otwory dysz dostosowane do specyfikacji danego urządzenia. Ważne jest, aby nie mieszać akcesoriów wykonanych dla różnych urządzeń. Ogólną wskazówką jest porównanie określonej mocy urządzenia, do której przeznaczone jest akcesorium, z mocą urządzenia, którego chcesz używać. Jeśli są w przybliżeniu takie same, można założyć, że stosowanie zamienne jest bezpieczne.
- Jeśli urządzenie pulsuje (szybko włącza się i wyłącza podczas natryskiwania), akcesorium nie może być użyte.

Niektóre pistolety ciśnieniowe używają tego samego połączenia węża co AVA. Jeśli pistolet ciśnieniowy pasuje do węża myjki ciśnieniowej AVA, może być używany jako adapter do innych akcesoriów. Jednakże, nadal musisz przestrzegać powyższych wskazówek, a oryginalne akcesoria marki AVA zawsze będą najlepszym wyborem.

ROZWIĄZYWANIE PROBLEMÓW I FAQ

- Urządzenie nie włącza się.
- Upewnij się, że myjka znajduje się w pozycji „OFF”. Podłącz przewód elektryczny do uziemionego gniazda 230 V (nie należy używać przedłużacza elektrycznego).
-
- Wąż wysokociśnieniowy (HP) nie łączy się z pistoletem natryskowym. Czy to problem z pistoletem?
- W większości przypadków, problem nie leży po stronie pistoletu. Problemem jest gumowa tuleja, zakrywająca złączkę na końcu węża wysokociśnieniowego. Prawdopodobnie, wyslizgnął się w kierunku metalowej końcówki. Aby naprawić: poruszaj, obracaj i/lub pociągnij gumową tuleję w dół, aż będzie widoczna cała końcówka plus 1/8 "metalowego łącznika poniżej końcówki. Teraz spróbuj włożyć końcówkę węża do pistoletu natryskowego. Powinien „zatrzasnąć się” na swoim miejscu i pozosać tam, dopóki wąż nie zostanie zwolniony przez wciśnięcie dźwigni na spodzie pistoletu. Możesz odciąć koniec rękawa ostrym nożem, jeśli nie możesz przesunąć rękawa w dół. Uważaj, aby nie przeciąć lub przebić węża.
-
- Urządzenie działa, ale nie ma przepływu wody.
- Sprawdź źródło wody. Odblokuj dyszę lancy. (Patrz instrukcje czyszczenia dysz w rozdziale „Czyszczenie dysz”.) Lub zdejmij lancę i włącz pistolet. Wskaże Ci to, czy problem dotyczy lancy, czy pistoletu natryskowego.
-
- Dlaczego wycieka woda, mimo że wąż wysokociśnieniowy jest połączony z pistoletem?
- Upewnij się, że na końcu metalowej końcówki węża wysokociśnieniowego znajduje się pierścień uszczelniający (O-ring). Jeśli go nie ma, połączenie między wężem a pistoletem będzie nieszczelne.
-
- Nie mogę wyjąć lancy z pistoletu. Co powinienem zrobić?
- Lanca jest mocowana i usuwana z pistoletu w ten sam sposób. Włóż szybkozamykający koniec lancy do pistoletu natryskowego. Ściśnij pistolet natryskowy i lancę razem (około 1/8") i obróć zgodnie z ruchem wskazówek zegara. Lanca zablokuje we właściwym miejscu. Aby wyjąć lancę, odwróć tę procedurę. Ściśnij pistolet natryskowy i lancę razem i obrócić w lewo. Lanca powinna się wysunąć. Lub trzymaj pistolet natryskowy i lancę w pozycji pionowej, końcówką dyszy na podłodze. Naciśnij cały zespół prosto w dół, aby poluzować połączenie, a następnie ponownie wykonaj proces usuwania. Możesz, również spryskać całość wodą z mydłem lub smarem w obszarze, w którym lanca łączy się z pistoletem. Pamiętaj, aby poluzować/dokręcić kołnierzy blokujący lancy pomiędzy operacjami!
-
- Moja myjka włącza się na 2 sekundy, wyłącza się i nie chce się ponownie włączyć. Czy moje urządzenie jest wadliwe?
- Twoje urządzenie funkcjonuje poprawnie. Po podłączeniu źródła wody, prawidłowym zmontowaniu akcesorió oraz włączeniu zasilania, myjka włącza się na 1-2 sekundy, aby dokonać rozruchu pompy. Wyłącza się automatycznie i czeka na naciśnięcie spustu pistoletu. Po naciśnięciu spustu woda zaczyna przepływać przez pompę. Czujnik wody w pompie „wykrywa” poruszającą się wodę i automatycznie włącza myjkę. Możesz, też nacisnąć wyłącznik zasilania i przytrzymać spust pistoletu natryskowego, aby uzyskać stały strumień wody. Trzymając spust w pistolecie w pozycji otwartej, jednocześnie naciśnij wyłącznik zasilania.

Nederlands

Lees deze gebruik- en veiligheidsinstructies samen met de andere bijgevoegde documenten voordat u het apparaat voor het eerst gebruikt. Bewaar deze documenten goed voor toekomstig gebruik.

Invoering

Gefeliciteerd met uw nieuwe hogedrukreiniger! Dit apparaat is een zeer krachtig hulpmiddel en moet dus met zorg worden behandeld.

AVA gebruikt slimme technologie voor een optimale reiniging, en u zult een veel hoger niveau van efficiëntie ervaren dan op vergelijkbare apparaten die u eerder hebt gebruikt. Test de reiniger altijd eerst op een niet goed zichtbare plek, en zorg dat u vertrouwd raakt met de meegeleverde accessoires. Uw AVA-apparaat bevat altijd een hogedrukslang, hogedrukpistool, een lans, een mondstuk en een filter met een tuingslangaansluiting. Gebruik nooit een gewone tuingslangaansluiting zonder filter op de machine.

Als u een uitgebreid pakket hebt gekocht zijn er extra accessoires inbegrepen. De inhoud van uw aankoop wordt in een afzonderlijk document beschreven.

Uitleg van symbolen



WAARSCHUWING! Richt niet op personen, dieren of elektrische apparatuur.



WAARSCHUWING! Lees de veiligheidsmaatregelen, waarschuwingen en veiligheidstips aandachtig door.



Het apparaat is niet geschikt voor aansluiting op drinkwaterleiding zonder terugslagklep, tenzij de waterdruk hoger is dan 1 bar.



Lees de gebruiksaanwijzing



Dubbele isolatie

Veiligheidsmaatregelen, waarschuwingen en veiligheidstips



Om lichamelijk letsel en/of schade te voorkomen en om een optimale ervaring met elektrisch reinigen te krijgen moet u

zorgvuldig alle veiligheidstips, instructies, waarschuwingen en veiligheidsmaatregelen volgen en vertrouwd raken met alle bedieningselementen. Zorg ervoor dat u weet hoe u snel de druk van alle onderdelen van uw reiniger kunt halen en hoe u het apparaat uitschakelt.

- Draag altijd oogbescherming om letsel aan de ogen te voorkomen wanneer u de hogedrukreiniger gebruikt.
- Deze hogedrukreiniger voldoet aan CE en andere veiligheids- en consumentennormen. Wijzig of re-installeer geen enkel onderdeel van uw reinigungsapparaat.
- Gebruik uw elektrische hogedrukreiniger niet wanneer u onder invloed bent van alcohol of drugs. Gebruik dit elektrische apparaat voorzichtig en alleen als u alert bent.
- Let op uw evenwicht tijdens het gebruik van uw hogedrukreiniger. Oppervlakken worden glad als ze nat zijn en nog gladder als u een schoonmaakmiddel gebruikt.
- Gebruik de hogedrukreiniger nooit op blote voeten, sandalen of schoenen met open tenen. Draag beschermende, volledig dichte schoenen of laarzen.
- Wanneer u de hogedrukreiniger in de buurt van kinderen gebruikt, zorg dan dat ze onder toezicht van een volwassene staan om letsel te voorkomen. Laat een kind nooit de hogedrukreiniger gebruiken.
- Houd vingers, handen en voeten uit de buurt van de waterstraal onder hoge druk. De krachtige druk kan blindheid of wonden in de huid veroorzaken. Let op oppervlakken van glas, omdat de straal glas en ramen kan breken.
- Om ongelukken of letsel te voorkomen, gebruikt u altijd de trekkerbeveiliging als u de hogedrukreiniger niet gebruikt, zelfs als het spuiten maar heel even stopt.
- Test het oppervlak altijd om er zeker van te zijn dat het niet beschadigd onder hoge druk.
- Richt het spuitpistool in een veilige richting bij het starten van de wasbeurt.
- Wanneer u het spuitpistool voor het eerst gebruikt, houdt u het pistool en de lans met twee handen vast om ongelukken of verwondingen te voorkomen. Gebruik altijd de trekkerbeveiliging wanneer u de hogedrukreiniger niet gebruikt, zelfs als het spuiten even stopt.
- Wanneer u op de aan / uit-schakelaar drukt om de hogedrukreiniger uit te schakelen, kan er waterdruk in het systeem achterblijven. Richt het spuitpistool in een veilige richting en haal de trekker over om de druk af te voeren.
- Spuit nooit brandbare vloeistoffen.
- Gebruik de hogedrukreiniger nooit op plaatsen die brandbaar stof, vloeistoffen of dampen

bevatten.

- Vermijd contact van de drukslang met scherpe voorwerpen en controleer de slang regelmatig. Vervang de slang als die beschadigd is. Door de hoge druk kan de slang niet worden gerepareerd als er in gesneden is.
- Gebruik alleen schoonmaakmiddel dat speciaal is ontwikkeld voor hogedrukreinigers en volg de instructies op het etiket van het product. Afwas- of wasmiddelen zijn te dik en verstopen het mondstuk van de lans en de fles.
- Bescherm ogen, longen en huid tegen blootstelling aan het schoonmaakmiddel.
- BELANGRIJK: Bewaar de hogedrukreiniger binnenshuis om te voorkomen dat het water in het apparaat uitzet onder vorst. Wanneer het water beviest en uitzet, zal uw elektrische hogedrukreiniger beschadigd raken en onbruikbaar worden.
- Gebruik nooit heet water in uw hogedrukreiniger (40 °C +). Het apparaat zal oververhit raken en de hogedrukreiniger beschadigen.
- Laat de hogedrukreiniger nooit onbeheerd achter terwijl deze aanstaat.
- Zet de watertoevoer altijd "aan" voordat u de hogedrukreiniger in de stand "aan" zet. De pomp droog laten lopen zal schade aan de interne componenten veroorzaken.
- Gebruik nooit een watertoevoer naar de hogedrukreiniger die hoger is dan 7 bar .
- Koppel de hogedrukslang nooit los van de hogedrukreiniger terwijl het systeem onder druk staat.
- Schakel nooit permanent het trekkermechanisme op het spuitpistool in.
- Gebruik de hogedrukreiniger nooit tenzij alle componenten correct en stevig zijn aangesloten.
- Laat de pomp van de hogedrukreiniger nooit langer dan een minuut draaien nadat u de watertoevoer hebt afgesloten. Hierdoor kunnen de motor en pomp oververhit raken en beschadigen.
- Gebruik alleen lansen en accessoires die zijn gespecificeerd om de waterdruk van de machine te weerstaan.
- Spuit nooit in of tegen een stopcontact met uw elektrische hogedrukreiniger.
- Inspecteer het netsnoer voor gebruik. Niet gebruiken als die beschadigd is.
- Als het netsnoer beschadigd is, moet het worden vervangen door de fabrikant of door vergelijkbare gekwalificeerde personen, om gevaar te voorkomen.



VOORZICHTIG: lees de instructies voordat u de machine gebruikt.

- De machine mag niet door kinderen worden
- 64

gebruikt. Kinderen moeten onder toezicht staan om ervoor te zorgen dat ze niet met de machine spelen.

- Het apparaat kan worden gebruikt door mensen met verminderde fysieke, zintuiglijke of mentale vermogens of gebrek aan ervaring en kennis, als ze instructies hebben gekregen over het gebruik van het apparaat op een veilige manier, en begrijpen wat de gevaren zijn.
- De elektrische aansluiting moet worden gedaan door een gekwalificeerde electricien en voldoen aan de eisen van de hogedrukreinigers. Het wordt aanbevolen dat de elektrische voeding naar deze machine een aardlekschakelaar bevat die de voeding onderbreekt als de lekstroom naar aarde 30 mA gedurende 30 ms overschrijdt.
- **WAARSCHUWING:** Deze machine is ontworpen voor gebruik met het door de fabrikant geleverde of aanbevolen reinigingsmiddel. Het gebruik van andere reinigingsmiddelen of chemicaliën kan de veiligheid van de machine nadelig beïnvloeden.
- **WAARSCHUWING:** Hogedrukstralen kunnen gevaarlijk zijn als ze niet goed worden gebruikt. Het spuitstuk mag niet op personen, onder spanning staande elektrische apparatuur of de machine zelf worden gericht.
- **WAARSCHUWING:** Gebruik de machine niet in de buurt van mensen tenzij ze beschermende kleding dragen.
- **WAARSCHUWING:** Richt het spuitstuk niet op uzelf of anderen om uw kleding of schoeisel schoon te maken.
- **WAARSCHUWING:** Ontploffingsgevaar - Spuit niet met ontvlambare vloeistoffen.
- **WAARSCHUWING:** Hogedrukslangen, fittingen en koppelingen zijn belangrijk voor de veiligheid van de machine. Gebruik alleen slangen, fittingen en koppelingen die door de fabrikant worden aanbevolen.
- **WAARSCHUWING:** Gebruik voor een veilige machine alleen originele reserveonderdelen van de fabrikant of die zijn goedgekeurd door de fabrikant.
- **WAARSCHUWING:** Water dat door de terugstroomkleppen is gestroomd, is niet-drinkbaar.
- **WAARSCHUWING:** De machine moet worden losgekoppeld van de stroombron door de stekker uit het stopcontact te halen tijdens reiniging of onderhoud en bij het vervangen van onderdelen.
- **WAARSCHUWING:** Gebruik de machine niet als een voedingskabel of belangrijke onderdelen van de machine beschadigd zijn, bijvoorbeeld de eiligheidsvoorzieningen, hogedrukslangen, trekkerpistool.
- **WAARSCHUWING:** Te korte verlengsnoeren kunnen gevaarlijk zijn. Als u een verlengsnoer

gebruikt, moet deze geschikt zijn voor gebruik buitenshuis, en de verbinding moet droog worden gehouden en van de grond af. Wij bevelen een kabelhaspel aan die de stekkerdoos minimaal 60 mm boven de grond houdt.

● **WAARSCHUWING** Schakel altijd de hoofdschakelaar uit als u het apparaat onbeheerd achterlaat.

Onderhoud van een dubbel geïsoleerd apparaat

In een dubbel geïsoleerd product zijn twee isolatiesystemen aangebracht in plaats van aarding. Aardingsmiddelen zijn geschikt voor een dubbel geïsoleerd product, er mogen geen aardingsmiddelen aan het product worden toegevoegd.

Het onderhoud van een dubbel geïsoleerd product vereist uiterste zorg en kennis van het systeem en mag alleen worden uitgevoerd door gekwalificeerd onderhoudspersoneel.

Onderdelen die vervangen worden voor een dubbel geïsoleerd product moeten identiek zijn aan de originele onderdelen. Een dubbel geïsoleerd product is gemarkeerd met de woorden "Dubbele isolatie" of "Dubbel geïsoleerd". Product kan ook worden gemarkeerd met het onderstaande symbool:



Instructies voor uitpakken en voorbereiden

Na het uitpakken van de HOGEDRUKREINIGER, leg de onderdelen en accessoires overzichtelijk neer en maak uzelf vertrouwd met de onderdelen in de verpakking door ze te vergelijken met die op de doos en bijgevoegde documenten. Als montage vereist is, raadpleeg dan de bijgevoegde montage-instructies.

Waterinlaataansluiting

Bevestig het meegeleverde waterinlaatfilter zoals te zien is op afbeelding A, gebruik van uw hand is voldoende. Gebruik nooit een standaard inlaatconnector zonder waterfilter. Sluit uw tuinslang aan op de filteraansluiting. Het meegeleverde waterfilter past op de standaard snelkoppelingen voor tuinslangen (Gardena).

Hogedrukslang

Zorg ervoor dat de hogedrukslang niet zichtbaar beschadigd is en sluit deze aan op de vrouwelijke connector op de machine, het contact, zoals weergegeven in afbeelding B. Sluit het andere uiteinde aan op het hogedrukpistool zoals

weergegeven in afbeelding C. Een of beide verbindingen kunnen al verbonden zijn door de fabrikant. Als beide uiteinden er hetzelfde uitzien, kan de slang in beide richtingen worden gebruikt. Zorg ervoor dat de slang op zijn plaats klikt en stevig vastzit.

Hogedrukspuit

Nadat u het drukpistool op de slang hebt aangesloten, test u de trekker en de veiligheidsvergrendeling. Open de waterafvoerklep die in de machine gaat, en kijk of er geen lekken zijn. Er mag geen water uit de waterinlaataansluiting, machine, hogedrukslang of uit het hogedrukpistool ontsnappen. Zorg ervoor dat het veiligheidsslot / kinderbeveiliging werkt, zoals weergegeven in afbeelding D. Het is niet mogelijk om de trekker te gebruiken terwijl het veiligheidsslot is ingeschakeld. Ontgrendel de veiligheidsblokkade en gebruik de trekker totdat er een gelijkmatige en gelijkmatige waterstroom uit het pistool komt.

Spuitpistool, lans en accessoires

De hogedrukreiniger is bedoeld om te worden gebruikt met accessoires die op het drukpistool zijn gemonteerd. Alle accessoires worden bevestigd met een bajonetaansluiting. Duw het bajonetuiteinde in de vrouwelijke bajonetconnector, het 'stopcontact', draai tegen de klok in en laat los. Zorg ervoor dat het accessoire goed is bevestigd volgens afbeelding E. Alle accessoires, met uitzondering van accessoires die pin-point sproeiers gebruiken (bijvoorbeeld het turbomondstuk) kunnen rechtstreeks op het pistool worden bevestigd. Om veiligheidsredenen mogen accessoires die gebruik maken van pin-point sproeiers (bijvoorbeeld het turbomondstuk) alleen worden gebruikt met de meegeleverde lans (en), zie figuur F. Dat staat in de veiligheidsvoorschriften die een minimale afstand tussen handvat en een harde straal water bepalen. Er worden standaard een of meer van de afgebeelde spuitmonden meegeleverd.

Testen en starten

Steek de stroomkabel in een geautoriseerd stopcontact. AVA beveelt een verlenging van de drukslang aan (niet inbegrepen) in plaats van een verlenging van het netsnoer. Als er toch een verlengsnoer gebruikt moet worden voor gebruik buitenshuis, moet de dwarsdoorsnede van het snoer minimaal 1.5 mm tot 2 mm zijn, op een snoer van tien meter en minimaal 2 mm op snoeren van 10 tot 20 meter. Gebruik nooit een snoer dat langer is dan 20 meter. Zorg ervoor dat de veiligheidsvergrendeling op de trekker aan staat.

Zet de aan / uit-schakelaar op de machine op "1", zie afbeelding G. De machine heeft internationale symbolen: een "0" voor uit en "1" voor aan. De machine moet een kort motorgeluid maken, dat snel stopt. Richt het drukpistool in een veilige richting, ontgrendel de veiligheidsblokkade en duw de trekker in. De machine start nu en u kunt een merkbare terugslag / beweging in het pistool voelen. Telkens wanneer de trekker wordt losgelaten, moet de machine snel stoppen. Maak uzelf vertrouwd met de verschillende druksproeiers en de waterstralen. De samenhang in kracht, werkgebied en afstand wordt uitgelegd in afbeelding H.

Gebruiksaanwijzing

Lees de gebruikershandleiding en waarschuwingen goed, en gebruik uw gezonde verstand. Er zijn verschillen in mening over wat er kan worden gereinigd met behulp van hoge druk, maar ervaring leert dat u met gezond verstand een heel eind komt. Afbeeldingen H en I tonen een paar van de mogelijkheden en gebruiksgebieden, maar we raden ook aan onze website te bezoeken voor meer informatie. Vergeet niet dat de waterkracht afneemt, en het contactoppervlak toeneemt als een grotere oppervlakteafstand neemt. Vergeet niet om altijd de veiligheidsvergrendeling in te schakelen als u het drukpistool niet vasthoudt en volg de instructies "na gebruik" voordat u de machine opbergt. Als de motor korte tijd ineens wordt ingeschakeld, is dit volkomen normaal. De pomp maakt zichzelf gebruiksklaar als de trekker van het drukpistool wordt onderdrukt. Schakel de hogedrukreiniger uit als deze langer dan 5 minuten niet wordt gebruikt. Druk niet meerdere keren snel achter elkaar op de trekker, omdat daardoor het stopsysteem defect kan raken. Duw trekker langzaam in. De o-ringen in de bajonetten en verlenglansen moeten regelmatig worden gereinigd en worden gesmeerd met vet of met een smeermiddel op siliconenbasis. Ga naar de AVA-website voor instructies over extra accessoires - afzonderlijk gekocht of bonusitems: www.avaofnorway.com

Verpakking en opslag

Als u klaar bent met het gebruik van de machine, doet u het volgende: Schakel de veiligheidsschakelaar op het drukpistool in. Zet de stroomschakelaar op de machine van 1 naar 0, en schakel de waterstroom uit de kraan uit. Schakel de veiligheidsschakelaar uit en druk op de trekker om de resterende hoge druk te laten ontsnappen. Houd er rekening mee dat het systeem tot op dit punt nog steeds onder druk staat en zorg ervoor dat de spray in een veilige richting wordt gericht. Koppel de tuinslang los en maak het mondstuk
66

en / of de lans los van het pistool. Gebruik nogmaals op de trekker. Er kan wat water uit de waterinlaataansluiting of het pistool komen. Sluit af door de veiligheidsschakelaar op het pistool in te schakelen en de stekker uit het stopcontact te halen.

Bewaar de machine met accessoires in een omgeving zonder risico op temperaturen rond het vriespunt. Als dit niet te voorkomen is moet u de instructies opvolgen voor het beschermen van de machine tegen bevriezing op de AVA-website: www.avaofnorway.com

Veel succes met uw nieuwe hogedrukreiniger. We hopen dat het u jarenlang voldoening geeft, of u nu van schoonmaken houdt of gewoon snel klaar wil zijn! In beide gevallen heeft u de beste beslissing genomen met de aanschaf van een AVA.

Algemene tips

- Ten eerste: het beste advies dat we u kunnen geven is www.avaofnorway.com te bezoeken voor meer informatie over uw hogedrukreiniger, maar ook over technieken, accessoires, enz.
- Reinig van onder naar boven. Dit helpt om te zien wat u al schoongemaakt en zorgt ervoor dat u geen schoonmaakmiddelen wegspoelt voordat u daadwerkelijk schoonmaakt. Spoel af van boven naar beneden. Deze tip is van toepassing op bijna alles wat u wilt reinigen.
- Bewaar de hogedrukreiniger niet in de buurt van verwarmingstoestellen of andere warmtebronnen, omdat de de pomp kan uitdrogen.
- Let op: er blijft altijd restwater in de pomp achter. Water dat na verloop van tijd opdroogt, kan kalk of een kleilaagje achterlaten dat kan vast komen te zitten in de beweegbare delen van de pomp. Een hogedrukreiniger die regelmatig wordt gebruikt, gaat langer mee dan één die slechts een keer per jaar wordt gebruikt.
- Als de machine gedurende langere tijd moet worden opgeslagen zonder te worden gebruikt, raden we aan de richtlijnen voor langdurige opslag te volgen op www.avaofnorway.com
- Het filter op de waterinlaatconnector moet regelmatig worden gereinigd. Duw een pen of potlood in de kleinste opening in de losgemaakte connector en duw het filter naar buiten. Spoelen met schoon water, en zet de machine weer in elkaar.
- Maak uzelf vertrouwd met alle documenten in de doos, en kijk ook regelmatig op www.avaofnorway.com als u geïnteresseerd bent in nieuwe producten of accessoires voor uw hogedrukreiniger.

Beschadiging van oppervlakken voorkomen

Schade aan te reinigen oppervlakken treedt op

omdat de slagkracht van de waterdruk de kwaliteit van het oppervlak overschrijdt. Kaal hout kan worden doordrongen; verf kan afladderen, etc. U kunt de kracht van uw hogedrukreiniger als volgt onder controle houden:

- Let op uit welke hoek u de waternevel spuit op het te reinigen oppervlak
- Let op de afstand van het mondstuk tot het te reinigen oppervlak

Gebruik nooit een dunne hogedrukstroom uit de lans op zachte oppervlakken die gevoelig zijn voor beschadiging.

Apparatuur van derden

Als u apparatuur van een andere hogedrukreiniger of fabrikant wilt gebruiken, moet u rekening houden met het volgende:

- Om accessoires compatibel te maken, moet deze zijn uitgerust met dezelfde bajonetverbinding die AVA gebruikt. Vergelijk de accessoires en probeer nooit apparatuur te monteren die er aanzienlijk anders uitziet.
- Lagedrukapparatuur, zoals waterstroomborstels en randborstels, kan worden gebruikt ongeacht het AVA-model, zolang de bajonetadapter op de lans kan worden bevestigd.
- Hogedrukapparatuur, zoals vaste sproeiers, roterende sproeiers en terrasreinigers hebben allemaal sproeieropeningen die zijn aangepast aan de machine. Het is belangrijk om geen accessoires te combineren die voor andere machines zijn gemaakt. Een algemene richtlijn is om het gespecificeerde wattage van de machine waarvoor het accessoire bedoeld is, te vergelijken met het wattage van de machine die u wilt gebruiken. Als ze ongeveer hetzelfde zijn, kunt u de apparatuur over het algemeen door elkaar gebruiken.
- Als de machine pulserend is (dus snel aan- en uitgaan tijdens het spuiten), kan het accessoire niet worden gebruikt.

Sommige drukpistolen gebruiken dezelfde slangaansluiting als AVA. Als er een drukpistool op de slang van uw AVA-hogedrukreiniger past, kan deze worden gebruikt als adapter voor andere accessoires. U dient nog steeds moet de bovenstaande richtlijnen te volgen, en AVA originele accessoires zijn altijd de beste keuze.

PROBLEEMOPLOSSINGEN EN VEELGESTELDE VRAGEN

| | |
|---|---|
| Apparaat gaat niet aan | Zorg ervoor dat de hogedrukreiniger in de positie "UIT" staat. Steek de stekker in een geaard stopcontact van 230 volt (gebruik geen verlengsnoer). |
| De hogedrukslang (HP) maakt geen verbinding / blijft verbonden met het spuitpistool. Is er een probleem met het spuitpistool? | In de meeste gevallen is het spuitpistool niet het probleem. Het probleem is waarschijnlijk de rubberen huls die de fitting aan het uiteinde van de hogedrukslang bedekt. Het is hoogstwaarschijnlijk naar de metalen punt afgegleden. De oplossing: beweeg, draai en/of trek de rubberen huls naar beneden totdat de hele punt zichtbaar is, plus een één achtste van de metalen fitting onder de punt. Probeer nu het uiteinde van de slang in het spuitpistool te steken. Het moet op zijn plaats "klikken" en zal pas naar buiten komen als de slang wordt losgemaakt door de hendel aan de onderkant van het pistool in te drukken. U kunt het uiteinde van de huls met een scherp mes wegsnijden als u het niet naar beneden kunt bewegen. Pas op dat u de slang niet doorsnijdt of doorboort. |
| Het apparaat werkt maar het water stroomt niet door | Controleer de waterbron en ontstop het mondstuk op de lans. (Zie de instructies voor het reinigen van spuitdoppen onder "Spuitdoppen reinigen".) Of verwijder de lans en spuit het water direct uit het spuitpistool. Dit geeft aan of er een probleem met de lans is of met het spuitpistool. |
| Waarom lekt er water op het punt waar de hogedrukslang op het spuitpistool is aangesloten? | Zorg dat er een o-ring aan het uiteinde van de metalen punt van de hogedrukslang zit. Als er geen o-ring aanwezig is, zal de verbinding tussen de slang en het spuitpistool lekken. |
| Ik kan de lans niet van het spuitpistool verwijderen. Wat moet ik doen? | De lans wordt op dezelfde manier bevestigd en verwijderd uit het spuitpistool. Steek het snelsluitende uiteinde van de lans in het spuitpistool. Druk het spuitpistool en de lans samen (ongeveer één achtste) en draai met de klok mee. De lans wordt nu vergrendeld. Verwijder de lans door deze procedure om te draaien: druk het spuitpistool en de lans samen en draai tegen de klok in. De lans zal eruit glijden. Of houd het spuitpistool en de lans rechtop met het uiteinde van de spuitmond op de vloer. Duw het apparaat recht naar beneden om de verbinding los te maken en voer het verwijderingsproces opnieuw uit. U kunt ook zeepwater of een smeermiddel spuiten in het gebied waar de lans op het spuitpistool aansluit. Vergeet niet om de vergrendelkraag op de lans los te maken / vast te zetten tussen de bewerkingen door! |
| De hogedrukreiniger wordt 2 seconden ingeschakeld, dan weer uitgeschakeld en kan niet opnieuw worden ingeschakeld. Is mijn apparaat defect? | Nee, het klinkt alsof de reiniger werkt. Als het water is aangesloten, de accessoires correct zijn gemonteerd en de stroomschakelaar is ingeschakeld, zal het apparaat 1-2 seconden te tijd nemen om de pomp te vullen. Het wordt automatisch uitgeschakeld, en de machine wacht tot de trekker van het spuitpistool wordt ingedrukt. Wanneer de trekker wordt ingedrukt, begint het water door de pomp te stromen. De watersensor in de pomp "detecteert" het bewegende water en schakelt de hogedrukreiniger automatisch in. Of zet de stroomschakelaar uit, houd de trekker op het spuitpistool ingedrukt, zodat u een constante stroom water kunt spuiten. Terwijl u de trekker op het spuitpistool open houdt, zet u tegelijkertijd de stroomschakelaar aan. |

Français

Veillez lire ces instructions de sécurité et de fonctionnement ainsi que tout autre document attaché avant la première utilisation de l'appareil. Conservez tous les documents pour future référence.

Introduction

Félicitations pour votre nouveau nettoyeur haute-pression! Cet appareil est un outil puissant qui doit être manipulé avec précaution.

AVA utilise une ingénierie intelligente afin d'améliorer l'efficacité du nettoyage. Il est possible que le niveau d'efficacité soit supérieur à celui des appareils comparable que vous avez précédemment essayés. Effectuez toujours un test de nettoyage sur une zone moins visible et familiarisez-vous avec les accessoires fournis.

Votre appareil AVA comprend toujours un tuyau haute-pression, un pistolet haute-pression, une lance, une buse et un filtre d'entrée spécialement conçu à cet effet avec un raccord pour tuyau d'arrosage. N'utilisez jamais un raccord de tuyau d'arrosage ordinaire sans filtre directement à la machine.

Si vous avez acheté un large ensemble, des accessoires supplémentaires peuvent être inclus. Le contenu de la livraison est décrit dans un document séparé.

Explication des symboles



ATTENTION! Ne dirigez jamais le jet sur des personnes, des animaux ou des appareils électriques.



ATTENTION! Lire attentivement les consignes de sécurité, les avertissements et les conseils de sécurité.



La machine ne convient pas au raccordement au réseau d'eau potable sans clapet anti-retour, sauf si la pression d'eau dépasse 1 bar.



Lire le manuel



Double isolation

Mesures de protection, mises en garde et conseils de sécurité



Afin d'éviter toute blessure corporelle et / ou tout dommage matériel et afin de maximiser votre expérience de nettoyage à haute-pression, suivez scrupuleusement tous les conseils de sécurité, les instructions, les avertissements et les mesures de protection et familiarisez-vous avec toutes les commandes. Assurez-vous de savoir comment purger rapidement la pression de toutes les pièces de votre nettoyeur et comment l'éteindre.

- Portez toujours des lunettes de protection pour éviter de vous blesser les yeux lorsque vous utilisez le nettoyeur à pression.
- Ce nettoyeur à pression est conforme aux normes CE et autres normes de sécurité et de consommation. Ne modifiez ou reconstruisez aucune partie de votre nettoyeur à pression.
- N'utilisez pas votre nettoyeur à pression si vous êtes sous l'influence de l'alcool ou de médicaments. Utilisez cet outil avec précaution et uniquement lorsque vous êtes alerte.
- Surveillez votre équilibre lorsque vous utilisez votre nettoyeur à pression. Les surfaces deviennent glissantes lorsqu'elles sont mouillées et deviennent extrêmement glissantes lors de l'utilisation d'un détergent ou d'un nettoyant.
- Ne faites jamais fonctionner le nettoyeur à pression à pieds nus, avec des sandales ou des chaussures à bout ouvert. Assurez-vous de porter des chaussures ou des bottes entièrement couvertes et protectrices.
- Lorsque vous utilisez le nettoyeur à pression près des enfants, assurez-vous qu'ils soient surveillés de près par un adulte pour éviter les blessures. Ne laissez jamais un enfant utiliser le nettoyeur à pression.
- Gardez les doigts, les mains, les pieds et toute partie de votre corps à l'écart du jet d'eau à haute-pression. Le puissant jet peut causer la cécité ou des lésions sur la peau. Soyez vigilants autour de toutes les surfaces en verre, car le jet pourrait briser une fenêtre si vous êtes trop près lorsque vous appuyez sur la gâchette du pistolet.
- Pour éviter les accidents ou les blessures, utilisez toujours le verrou de sécurité de la gâchette lorsque vous n'utilisez pas le nettoyeur à pression, même si la pulvérisation est en pause durant un court instant.
- Toujours tester préalablement la surface pour s'assurer de ne pas l'endommager avec une pression élevée.
- Dirigez le pistolet de pulvérisation dans une direction sûre lorsque vous commencez une

session de nettoyage à haute-pression.

● Lorsque vous utilisez le pistolet pulvérisateur pour la première fois, tenez le pistolet pulvérisateur et la lance à deux mains pour éviter les accidents ou les blessures, utilisez toujours le verrou de sécurité de la gâchette lorsque vous n'utilisez pas le nettoyeur à pression, même si la pulvérisation est en pause durant un court instant.

● Lorsque vous appuyez sur l'interrupteur d'alimentation pour éteindre le nettoyeur à pression, la pression de l'eau peut subsister dans le système. Pour décharger la pression, dirigez le pistolet de pulvérisation vers une direction sûre et appuyez sur la gâchette.

● Ne pulvérisez jamais de liquides inflammables.
● Ne jamais utiliser le nettoyeur à pression dans des zones contenant de la poussière, des liquides ou des vapeurs inflammables.

● Evitez tout contact du tuyau flexible avec des objets coupants et examinez-le régulièrement.

Remplacez si endommagé. -En raison de la pression élevée impliquée, il ne peut pas être réparé s'il est coupé ou endommagé.

● Utilisez uniquement un détergent spécialement formulé pour les nettoyeurs à pression et suivez les instructions qui figurent sur l'étiquette du détergent. Le savon à vaisselle ou à lessive est trop épais et risque d'obstruer la buse de votre lance et votre bouteille de détergent.

● Protégez-vous les yeux, les poumons et la peau de l'exposition au détergent.

● **IMPORTANT:** Rangez le nettoyeur à pression à l'intérieur pour empêcher l'eau de l'appareil de se dilater par temps de gel. Lorsque l'eau gèle et se dilate, votre nettoyeur à pression sera endommagée et deviendra inutilisable.

● N'utilisez jamais d'eau chaude avec votre nettoyeur à pression (40 ° C +). Cela surchauffera et endommagera la pompe haute-pression.

● Ne laissez jamais le nettoyeur à pression sans surveillance lorsqu'il est sous tension.

● Toujours ouvrir l'alimentation en eau avant de mettre le nettoyeur à pression en «marche». Faire fonctionner la pompe à sec endommagera les composants internes.

● Ne jamais utiliser une alimentation en eau supérieure à 7 bars pour votre nettoyeur à pression.

● Ne débranchez jamais le tuyau haute-pression du nettoyeur à pression lorsque le système est sous pression.

● N'engagez jamais de façon permanente les mécanismes de déclenchement sur le pistolet.

● Ne faites jamais fonctionner le nettoyeur à pression si tous les composants ne sont pas correctement connectés.

70

● Ne jamais laisser la pompe de le nettoyeur à pression fonctionner pendant plus d'une minute après avoir fermé l'alimentation en eau. Cela peut entraîner une surchauffe du moteur et de la pompe, ainsi qu'une défaillance.

● Utilisez uniquement des lances et des accessoires spécifiés pour résister à la pression de l'eau de la machine.

● Ne vaporisez jamais de prise électrique avec votre nettoyeur à pression.

● Inspectez le cordon d'alimentation avant de l'utiliser. Ne l'utilisez pas s'il est endommagé.

● Si le cordon d'alimentation est endommagé, il doit être remplacé par un agent de service après-vente ou des personnes de qualification similaire afin d'éviter tout risque.



ATTENTION: Lisez les instructions avant d'utiliser la machine.

● La machine ne doit pas être utilisée par des enfants. Les enfants doivent être surveillés pour s'assurer qu'ils ne jouent pas avec la machine.

● L'appareil peut être utilisé par des personnes ayant des capacités physiques, sensorielles ou mentales réduites, ou manquant d'expérience et de connaissances, si elles ont reçu une supervision ou des instructions concernant l'utilisation de l'appareil de manière sûre et si elles en comprennent les risques.

● Le branchement électrique doit être effectué par un électricien qualifié et conforme aux spécifications des nettoyeurs à pression. Il est recommandé que l'alimentation électrique de cette machine comprenne soit un dispositif de courant résiduel qui interrompra l'alimentation si le courant de dispersion à la terre dépasse 30 mA pendant 30 ms, soit un dispositif qui vérifie le circuit de terre.

● **AVERTISSEMENT:** Cet appareil a été conçu pour être utilisé avec le détergent fourni ou recommandé par le fabricant. L'utilisation d'autres agents de nettoyage ou de produits chimiques peut nuire à la sécurité de la machine.

● **AVERTISSEMENT:** Les jets à haute-pression peuvent être dangereux s'ils sont mal dirigés. Le jet ne doit pas être dirigé vers des personnes, des équipements électriques sous tension ou la machine elle-même.

● **AVERTISSEMENT:** N'utilisez pas la machine à portée de personnes, sauf si elles portent des vêtements de protection.

● **AVERTISSEMENT:** Ne dirigez pas le jet contre vous-même ou d'autres personnes afin de nettoyer des vêtements ou des chaussures.

● **AVERTISSEMENT:** Risque d'explosion - Ne

pulvériser pas de liquides inflammables.

● **AVERTISSEMENT:** Les flexibles haute-pression et les raccords sont importants pour la sécurité de la machine. Utilisez uniquement les flexibles et raccords recommandés par le fabricant.

● **AVERTISSEMENT:** pour assurer la sécurité de la machine, utilisez uniquement des pièces de rechange d'origine du fabricant ou approuvées par celui-ci.

● **AVERTISSEMENT:** L'eau qui a traversé les vannes de refoulement est considérée comme non potable.

● **AVERTISSEMENT:** La machine doit être débranchée de sa source d'alimentation en retirant la fiche de la prise de courant lors du nettoyage ou de la maintenance et lors du remplacement de pièces.

● **AVERTISSEMENT:** N'utilisez pas l'appareil si un cordon d'alimentation ou des pièces importantes de l'appareil sont endommagés, par exemple; Dispositifs de sécurité, tuyaux à haute-pression, pistolet à gâchette.

● **AVERTISSEMENT:** Des rallonges inadéquates peuvent être dangereuses. Si une rallonge est utilisée, elle doit être adaptée à une utilisation en extérieur et la connexion doit être maintenue au sec et à l'écart du sol. Il est recommandé de le faire au moyen d'un dévidoir qui maintient la prise à au moins 60 mm du sol.

● **AVERTISSEMENT** Désactivez toujours le commutateur de déconnexion du secteur lorsque vous laissez la machine sans surveillance.

Entretien d'un appareil à double isolation

Dans un produit à double isolation, deux systèmes d'isolation sont fournis à la place de la mise à la terre. Les moyens de mise à la terre ne sont pas fournis pour un produit à double isolation, pas plus que les moyens de mise à la terre ne doivent être ajoutés au produit.

L'entretien d'un produit à double isolation requiert une attention extrême et une connaissance du système, et ne doit être effectué que par du personnel de maintenance qualifié.

Les pièces de rechange d'un produit à double isolation doivent être identiques aux pièces d'origine. Un produit à double isolation est marqué des mots «Double isolation». Le produit peut également porter le symbole ci-dessous.



Instructions de déballage et de préparation

Après avoir déballé le NETTOYEUR HAUTE-

PRESSION, disposez les pièces et les accessoires. Familiarisez-vous avec les pièces contenues dans l'emballage en les comparant à celles énumérées dans la boîte et aux documents joints. Si un assemblage est nécessaire, reportez-vous aux instructions de montage ci-jointes.

Connexion de l'entrée d'eau

Fixez le filtre de l'entrée d'eau fourni comme indiqué dans l'illustration A, le serrage à la main suffit. Ne jamais utiliser un connecteur d'entrée standard sans filtre à eau. Fixez votre tuyau d'arrosage au connecteur du filtre. Le filtre à eau inclus convient aux raccords rapides standards pour tuyaux d'arrosage (Gardena).

Tuyau Haute-Pression

Assurez-vous que le flexible haute-pression ne présente aucun dommage visible et connectez-le au connecteur femelle de la machine, comme indiqué sur l'illustration B. Branchez l'autre extrémité sur le pistolet haute-pression, comme indiqué sur l'illustration C. L'un de ces raccordements, ou les deux pourrait déjà être connectés en usine. Si les deux extrémités se ressemblent, le tuyau peut être utilisé dans les deux sens. Assurez-vous que le tuyau est bien enclenché et solidement fixé.

Pistolet à haute-pression

Après avoir connecté le pistolet à pression au tuyau, testez la gâchette et le verrou de sécurité. Ouvrez le robinet de sortie d'eau qui pénètre dans la machine et assurez-vous qu'il n'y ait pas de fuite. Aucune eau ne devrait pouvoir s'échapper du raccord d'arrivée d'eau, de la machine, du flexible haute-pression ou du pistolet haute-pression. Assurez-vous que le verrouillage de sécurité / sécurité enfants fonctionne comme indiqué dans l'illustration D. Il ne devrait pas être possible d'activer la gâchette lorsque le verrouillage de sécurité est activé. Déverrouillez la sécurité et activez la gâchette jusqu'à ce que le pistolet produise un jet d'eau régulier et uniforme.

Pistolet, lance et accessoires

Le nettoyeur haute-pression est conçu pour être utilisé avec des accessoires montés sur le pistolet à pression. Tous les accessoires sont fixés à l'aide d'un connecteur à baïonnette. Insérez l'extrémité à baïonnette dans le connecteur à baïonnette femelle, tournez dans le sens contraire des aiguilles d'une montre et relâchez. Assurez-vous que l'accessoire soit correctement fixé. Reportez-vous à l'illustration E. Tous les accessoires, à l'exception des accessoires utilisant des buses à pointe (par exemple la buse turbo), peuvent être fixés directement sur le pistolet. Pour des raisons

de sécurité, les accessoires utilisant des buses à pointes (par exemple, la buse turbo) ne doivent être utilisés qu'avec la ou les lance(s) fournie(s), voir figure F. Cela est dû aux règles de sécurité qui imposent une distance minimale entre la poignée et l'eau dommageable des jets. Une ou plusieurs des buses illustrées sont incluses en standard.

Test et démarrage

Branchez le câble d'alimentation dans une prise de courant approuvée. Dans la mesure du possible, AVA recommande d'utiliser une rallonge de tuyau sous pression (non fournie) plutôt que d'utiliser une rallonge de cordon d'alimentation. Si une rallonge est utilisée, elle doit être approuvée pour une utilisation en extérieur et sa section transversale doit être d'au moins 1,5 mm² sur une rallonge pouvant atteindre 10 m et minimale de 2 mm² pour les cordons. Ne jamais utiliser un cordon de plus de 20 m. Assurez-vous que le verrou de sécurité sur la gâchette est engagé. Mettez l'interrupteur de la machine sur «1», voir l'illustration G. La machine est dotée des symboles internationaux «0» pour éteindre et «1» pour allumer. La machine doit émettre un son de moteur bref et s'arrêter subitement. Dirigez le pistolet à pression dans une direction sûre, désengagez le verrou de sécurité et activez la gâchette. La machine va maintenant démarrer, et il pourrait y avoir un recul notable / mouvement dans le pistolet. Chaque fois que la gâchette est relâchée, la machine doit s'arrêter rapidement.

Familiarisez-vous avec les différentes buses de pression et les jets d'eau qu'elles délivrent. La relation entre la puissance, la zone de travail et la distance est illustrée dans l'illustration H.

Mode d'emploi

Prenez en compte le manuel d'utilisation et les avertissements, et utilisez votre bon sens. Il existe différents avis sur ce qui peut être nettoyé avec une pression élevée, mais d'après notre expérience, le bon sens vous mènera loin. Les illustrations H et I illustrent certaines des possibilités et des domaines d'utilisation, mais nous vous recommandons également de consulter notre site Web pour plus d'informations. Rappelez-vous que la force de l'eau diminue, tandis que la surface de contact augmente avec une distance de surface plus grande. N'oubliez jamais d'engager le verrou de sécurité lorsque vous ne tenez pas le pistolet à pression, et suivez les instructions «après utilisation» avant de ranger la machine. Si le moteur tourne pendant de courtes périodes, cela est tout à fait normal. La pompe s'amorce à être prête à fonctionner lorsque la gâchette du pistolet à pression est activée. Arrêtez le nettoyeur

haute-pression s'il n'est pas utilisé pendant plus de 5 minutes. N'appuyez pas plusieurs fois sur la gâchette rapidement, cela risquerait de provoquer un dysfonctionnement du système d'arrêt total. Appuyez sur la gâchette lentement et méthodiquement. Les joints toriques à l'intérieur des baïonnettes et des lances d'extension doivent être nettoyés régulièrement et lubrifiés à l'aide de graisse ou de lubrifiant à base de silicone. Pour obtenir des instructions sur les accessoires supplémentaires - achetés séparément ou avec des articles en prime, visitez le site Web AVA: www.avaofnorway.com

Emballage et stockage

Lorsque vous avez fini d'utiliser la machine, procédez comme suit: Enclenchez l'interrupteur de sécurité sur le pistolet à pression. Mettez l'interrupteur d'alimentation de la machine de 1 à 0 et fermez le robinet d'arrivée d'eau. Désengagez l'interrupteur de sécurité et appuyez sur la gâchette pour libérer la haute-pression restante. Sachez que le système est toujours sous pression jusqu'à ce point et veillez à diriger le jet vers une direction sûre. Débrancher le tuyau d'arrosage et détacher la buse et / ou la lance du pistolet. Appuyez à nouveau sur la gâchette. De l'eau peut sortir du raccord d'arrivée d'eau ou du pistolet. Terminez en actionnant l'interrupteur de sécurité du pistolet et débranchez la prise d'alimentation. Rangez la machine et ses accessoires dans un environnement sans risque de gel. Si cela pose un problème, suivez les instructions relatives à la protection contre le gel de la machine sur le site Web d'AVA: www.avaofnorway.com

Bonne chance avec votre nouveau nettoyeur haute-pression. Nous espérons que cela vous procurera une satisfaction pour les années à venir, que vous aimiez nettoyer ou que vous vouliez que les choses se fassent rapidement. Vous avez pris la meilleure décision en vous procurant un AVA.

Conseils généraux

- Premièrement, le meilleur conseil que nous puissions vous donner est de visiter www.avaofnorway.com pour en savoir plus sur votre nettoyeur haute-pression, ainsi que sur les techniques, les accessoires, etc.
- Nettoyer de bas en haut. Cela vous aide à voir ce que vous avez nettoyé et à ne pas rincer les produits de nettoyage avant le nettoyage. Enfin, rincez de haut en bas. Cette astuce s'applique à presque tout ce que vous voudriez nettoyer.
- Ne rangez pas le nettoyeur haute-pression à proximité d'appareils de chauffage ou d'autres sources de chaleur. Cela pourrait dessécher les

joint de étanchéité à l'intérieur de la pompe.

- N'oubliez pas: il restera toujours de l'eau résiduelle dans la pompe. Une eau qui sèche avec le temps peut laisser de la chaux ou de l'humus, ce qui peut rester coincé dans les parties mobiles de la pompe. Un nettoyeur haute-pression utilisé régulièrement durera normalement plus longtemps que celui qui n'est utilisé qu'une fois par an.

- Si la machine doit être stockée pendant de longues périodes sans être utilisée, nous vous recommandons de suivre les directives de stockage à long terme, disponibles sur www.avaofnorway.com.

- Le filtre sur le connecteur d'arrivée d'eau doit être nettoyé régulièrement. Poussez un stylo ou un crayon dans la plus petite ouverture du connecteur détaché et sortez le filtre. Rincer à l'eau claire et reconnectez-le.

- Familiarisez-vous avec toute la documentation fournie dans la boîte et consultez également www.avaofnorway.com régulièrement si vous êtes intéressé par de nouveaux produits ou accessoires pour votre nettoyeur haute-pression.

Comment éviter d'endommager les surfaces

Les surfaces à nettoyer sont endommagées parce que la force d'impact de la pression de l'eau dépasse la durabilité de la surface. Le bois nu peut être pénétré; la peinture peut être décollée, etc.

Vous pouvez modifier la force de votre nettoyeur à pression en contrôlant:

- l'angle de pulvérisation d'eau sur la surface à nettoyer

- la distance entre la buse et la surface à nettoyer

N'utilisez jamais un jet d'eau à haute-pression réduit provenant de la lance sur des surfaces douces susceptibles d'être endommagées.

Equipement de tiers

Si vous souhaitez utiliser du matériel provenant d'un autre nettoyeur haute-pression ou d'un autre fabricant, tenez compte des points suivants:

- Pour que les accessoires soient compatibles, ils doivent être équipés de la même connexion à baïonnette qu'AVA. Comparez les accessoires et n'essayez jamais de fixer des équipements qui semblent très différents.

- Les équipements à basse pression, tels que les brosses à jet d'eau, les brosses à jante, etc. peuvent être utilisés quel que soit le modèle AVA, à condition que l'adaptateur à baïonnette puisse être fixé à la lance.

- Les équipements haute-pression, tels que les buses fixes, les buses rotatives, les nettoyeurs de terrasse, etc., ont tous des ouvertures de buse ajustées aux spécifications de la machine.

Il est important de ne pas mélanger des

accessoires conçus pour des machines spécifiées différemment. Il est généralement conseillé de comparer la puissance en watts spécifiée de la machine à laquelle l'accessoire est destiné à la puissance en watts de la machine que vous souhaitez utiliser. S'ils sont approximativement semblables, vous pouvez généralement utiliser l'équipement de manière interchangeable.

- Si la machine émet des pulsations (s'allume et s'éteint rapidement pendant la pulvérisation), l'accessoire ne peut pas être utilisé.

Certains pistolets à pression utilisent le même raccord de tuyau qu'AVA. Si un pistolet à pression s'installe sur le tuyau de votre nettoyeur haute-pression AVA, vous pouvez l'utiliser comme adaptateur pour d'autres accessoires. Vous devez toujours suivre les directives ci-dessus et les accessoires d'origine AVA seront toujours le meilleur choix.

DÉPANNAGE ET FAQ

| | |
|---|--|
| L'unité ne s'allume pas. | Assurez-vous que le nettoyeur à pression soit en position «OFF». Branchez le câble électrique sur une prise secteur 230 volts mise à la terre (aucune rallonge électrique ne doit être utilisée). |
| Le tuyau haute pression (HP) ne se connecte pas / reste connecté au pistolet de pulvérisation. Y a-t-il un problème avec le pistolet? | Dans la plupart des cas, le pistolet n'est pas le problème. Le problème est le manchon en caoutchouc recouvrant le raccord à l'extrémité du tuyau haute-pression. Il a probablement glissé vers le bout en métal. La correction: remuez, tournez et / ou tirez le manchon en caoutchouc jusqu'à ce que la pointe soit visible dans sa totalité en plus un raccord métallique de 1/8" sous la pointe. Essayez maintenant d'insérer la pointe du tuyau dans le pistolet. Il devrait «s'enclencher» en place et ne plus sortir tant que le tuyau ne sera pas relâché en appuyant sur le levier situé sous le pistolet. Vous pouvez couper le bout de la manche avec un couteau tranchant si vous ne pouvez baisser la manche. Veillez à ne pas couper ou perforer le tuyau. |
| L'unité est en marche mais l'eau ne coule pas | Vérifiez la source d'eau. Déboucher la buse sur la lance. (Voir les instructions de nettoyage des buses sous «Nettoyage des buses».) Ou retirez la lance et vaporisez uniquement avec le pistolet. Cela indiquera si le problème vient de la lance ou du pistolet |
| Pourquoi l'eau fuit-elle lorsque le tuyau haute pression est connecté au pistolet? | Assurez-vous qu'il y ait un joint torique à l'extrémité de l'embout métallique du tuyau haute-pression. Si aucun joint torique n'est présent, la connexion entre le tuyau et le pistolet de pulvérisation fuira. |
| Je ne peux pas retirer la lance du pistolet. Que dois-je faire? | La lance se fixe et se retire du pistolet pulvérisateur de la même manière. Insérez l'extrémité à dégagement rapide de la lance dans le pistolet de pulvérisation. Serrez le pistolet et la lance entre eux (environ 1/8 ") et tournez dans le sens des aiguilles d'une montre. La lance se fixera en place. Retirez la lance en inversant cette procédure. Serrez le pistolet et la lance entre eux et tournez dans le sens contraire des aiguilles d'une montre. La lance se glissera. Ou tenez le pistolet et la lance en position verticale, l'extrémité de la buse au sol. Poussez l'ensemble vers le bas pour desserrer la connexion, puis suivez à nouveau le processus de retrait. Vous pouvez également pulvériser de l'eau savonneuse ou un lubrifiant dans la zone où la lance est connectée au pistolet. N'oubliez pas de desserrer / serrer le collier de verrouillage sur la lance entre les opérations! |
| Le nettoyeur à pression s'allume pendant 2 secondes puis s'éteint et ne se rallume pas. Mon unité est-elle défectueuse? | Non, il semble que votre nettoyeur à pression fonctionne correctement. Lorsque l'eau est connectée, que les accessoires sont correctement assemblés et que l'interrupteur d'alimentation est allumé, le nettoyeur se met en marche pendant 1 à 2 secondes pour amorcer la pompe. Il s'éteint automatiquement et attend que la gâchette du pistolet de pulvérisation soit pressée. Lorsque vous appuyez sur la gâchette, l'eau commence à circuler dans la pompe. Le capteur d'eau dans la pompe «détecte» l'eau en mouvement et met automatiquement le nettoyeur en marche. Sinon, éteignez l'interrupteur d'alimentation, maintenez la gâchette du pistolet pulvérisateur enfoncée de manière à obtenir un jet d'eau constant. Pendant que vous maintenez la gâchette appuyée sur le pistolet de pulvérisation, allumez en même temps l'interrupteur d'alimentation. |

Английский

Перед первым применением устройства, пожалуйста, прочитайте эту инструкцию по эксплуатации и указания по технике безопасности, а также ознакомьтесь с другими прилагаемыми документами к устройству. Сохраните все документы для дальнейшего пользования.

Вступление

Поздравляем с покупкой нового высоконапорного мощного устройства! Данное устройство является мощным инструментом, с которым необходимо обращаться осторожно.

AVA применяет современные технологии для повышения эффективности чистки, Вы сможете ощутить более высокий уровень эффективности, чем у ранее опробованных вами приборов. Всегда выполняйте тестовую чистку в менее видимом месте, а также ознакомьтесь с прилагаемыми комплектами.

В комплект устройства AVA входят шланг высокого давления, пистолет высокого давления, трубка, насадка и специальный фильтр для впуска воды с соединительным элементом (муфтой) для садового шланга. НЕ подключайте садовый шланг напрямую к устройству без специального входного фильтра.

Если вы приобрели расширенный комплект устройства, в его состав могут входить дополнительные аксессуары. Содержание комплекта устройства описано в отдельном документе.

Пояснения к символам



ВНИМАНИЕ! НЕ направлять струю воды под высоким напором на людей, животных, включенное электрическое оборудование!



ВНИМАНИЕ! Внимательно прочтите меры предосторожности, предупреждения и указания по технике безопасности.



Аппарат не подходит для подключения к сети питьевого водоснабжения без обратного клапана, если давление воды не превышает 1 бар.



Прочитайте данную инструкцию



Двойная изоляция

Меры предосторожности, Предупреждения и Указания по технике безопасности



Во избежание травмирования людей и/или повреждения имущества, а также для обеспечения максимальной эффективности процесса чистки, внимательно следуйте всем инструкциям по технике безопасности, предупреждениям и мерам предосторожности, а также изучите все элементы управления. Убедитесь, что вы знаете, как быстро снизить давление во всех частях вашего высоконапорного мощного устройства, и как его отключить.

- Всегда носите защитные приспособления для глаз во избежание травмирования глаз при работе с устройством для очистки.
- Это электрическое устройство для мойки соответствует CE и другим стандартам безопасности и потребления. НЕ модифицируйте и НЕ перерабатывайте никакие детали вашего устройства для мойки.
- НЕ используйте аппарат, если вы находитесь под воздействием алкоголя или наркотиков. Используйте данный электроинструмент осторожно и только в состоянии бдительности.
- Следите за своим равновесием и опорой во время использования устройства. При попадании воды на поверхность она станет скользкой, а при использовании моющего средства или очистителя - особенно скользкой.
- Никогда не пользуйтесь устройством без обуви, в сандалиях или обуви с открытым носком. Обязательно надевайте защитную обувь или полностью закрытые ботинки.
- Во избежание травм при использовании устройства вблизи детей, убедитесь, что дети находятся под пристальным присмотром взрослых. ЗАПРЕЩЕНО для использования детьми!
- Держите подальше от струи воды под высоким давлением ваши пальцы, руки, ноги и другие части тела. Струя воды под высоким давлением может привести к слепоте или образованию рваных ран на коже. Соблюдайте осторожность по отношению ко всем стеклянным поверхностям, так как струя воды может разбить окно, если вы находитесь слишком близко к нему, когда нажимаете на курок пистолета-распылителя.
- Во избежание несчастных случаев и травм, всегда используйте предохранитель пускового курка, когда не используете устройство, даже если его распыление останавливается на секунду.
- Всегда тестируйте поверхность, которую вы хотите очистить, чтобы не повредить ее под

высоким давлением.

- Перед началом сеанса мойки направьте пистолет-распылитель в безопасном направлении.
- При первом использовании пистолета-распылителя, держите его и струйную трубку двумя руками, во избежание несчастных случаев или травм, всегда используйте предохранитель пускового курка, даже если Вы остановили распыление всего на секунду.
- Даже после нажатия выключателя питания для отключения устройства, в системе может остаться давление. Для сброса давления направьте пистолет-распылитель в безопасном направлении и нажмите на спусковой курок.
- Никогда НЕ распыляйте легковоспламеняющиеся жидкости.
- Никогда НЕ используйте устройство в помещениях с легковоспламеняющейся пылью, жидкостями или испарениями.
- Избегайте контакта шланга высокого давления с острыми предметами и регулярно осматривайте его на наличие повреждений. Замените его, если он поврежден. -В связи с его воздействием с высоким давлением, он не подлежит ремонту при порезах или повреждениях.
- Используйте только моющее средство, специально разработанное для этого устройства, и следуйте инструкциям на этикетке моющего средства. Моющее средство для посуды или хозяйственное мыло слишком плотное и засоряет сопло струйной трубки и отсек для моющего средства.
- Предохраняйте глаза, легкие и кожу от воздействия моющего средства.
- ВАЖНО: Храните устройство в закрытом помещении, чтобы предотвратить расширение воды в устройстве в условиях замерзания. Замерзание и расширение воды приведет к повреждению и выходу из строя устройства.
- Никогда НЕ используйте горячую воду для высоконапорного моющего устройства (40°C+). Это приведет к перегреву и повреждению насоса высокого давления.
- Никогда НЕ оставляйте высоконапорное моющее устройство без присмотра, пока оно включено "ON".
- Всегда сначала включайте подачу воды "ON" перед включением питания высоконапорного моющего устройства "ON". Запуск насоса без воды приведет к повреждению внутренних деталей.
- НЕ используйте воду, подаваемую на устройство, давление которой превышает 7 Бар.
- НЕ отсоединяйте шланг высокого давления от аппарата, если система находится под давлением.
- НЕ зажимайте постоянно спусковой механизм пистолета-распылителя.

● Никогда НЕ используйте устройство без надлежащего и надежного подключения всех его компонентов.

● НЕ допускайте работы насоса устройства после отключения подачи воды более чем на одну минуту. Это может привести к перегреву и выходу из строя двигателя и насоса.

● Используйте только те струйные трубки и аксессуары, которые рассчитаны на работу с высоким давлением воды, создаваемым устройством.

● Никогда НЕ распыляйте устройством воду под высоким давлением на электрическую розетку.

● Перед использованием проверьте шнур питания. Не используйте его, если он поврежден.

● Если шнур питания поврежден, во избежание опасности его замена должна производиться производителем, сервисным центром или лицами, имеющими соответствующую квалификацию.



ОСТОРОЖНО: Прочитайте инструкцию перед началом использования устройства.

● Устройство НЕ предназначено для использования детьми! НЕ ИГРУШКА ДЛЯ ДЕТЕЙ!

● Прибор могут использовать люди с ограниченными физическими, сенсорными или умственными возможностями, а также люди с недостаточным опытом и знаниями, если они находятся под присмотром или были обучены безопасному использованию прибора и понимают связанные с ним опасности.

● Подключение электропитания должно производиться квалифицированным специалистом (электриком) и соответствовать требованиям данного высоконапорного моющего устройства. Рекомендуется, чтобы в сеть электропитания данного устройства входило либо устройство защитного отключения, которое прервет электропитание в случае превышения тока утечки на землю 30 мА в течение 30 мс, либо устройство для проверки цепи заземления.

● ПРЕДУПРЕЖДЕНИЕ: Данное устройство предназначено для использования с чистящим средством, поставляемым или рекомендуемым производителем. Использование других чистящих средств или химикатов может отрицательно сказаться на безопасности устройства.

● ПРЕДУПРЕЖДЕНИЕ: Струи воды под высоким давлением могут быть опасны в случае их неправильного использования. Нельзя направлять струю воды под высоким напором на людей, животных, включенное электрическое оборудование или на само устройство

● **ПРЕДУПРЕЖДЕНИЕ:** Запрещается использовать аппарат в пределах досягаемости людей, если они не носят защитную одежду.

● **ПРЕДУПРЕЖДЕНИЕ:** НЕ направляйте струю воды под высоким давлением на себя или других людей чтобы почистить свою/их одежду или обувь.

● **ПРЕДУПРЕЖДЕНИЕ:** Опасность взрыва - Запрещается распылять легковоспламеняющиеся жидкости.

● **ПРЕДУПРЕЖДЕНИЕ:** Шланги высокого давления, фитинги и муфты важны для безопасности работы аппарата. Используйте только рекомендуемые производителем шланги, фитинги и муфты.

● **ПРЕДУПРЕЖДЕНИЕ:** Для обеспечения безопасности аппарата используйте только оригинальные запчасти от производителя или авторизованных дистрибуторов.

● **ПРЕДУПРЕЖДЕНИЕ:** Вода, которая протекает через обратные клапаны, считается НЕ пригодной для питья.

● **ПРЕДУПРЕЖДЕНИЕ:** Во время чистки или технического обслуживания, а также при замене деталей аппарат необходимо отключать от источника питания, вытащив его вилку из розетки.

● **ПРЕДУПРЕЖДЕНИЕ:** НЕ используйте устройство, если поврежден шнур питания или важные детали устройства, например, защитные устройства,

шланги высокого давления, пусковой пистолет.

● **ПРЕДУПРЕЖДЕНИЕ:** Не соответствующие удлинители могут представлять опасность. Если вы используете удлинитель, он должен быть предназначен для наружного применения, а его подключение должно быть защищено от попадания воды и находиться не на земле. Рекомендуется использовать катушку с кабелем, которая удерживает розетку на высоте не менее 60 мм над землей.

● **ВНИМАНИЕ!** Всегда выключайте электропитание устройства, оставляя его без присмотра.

Обслуживание устройства с двойной изоляцией

В изделиях с двойной изоляцией вместо заземления предусмотрены две системы изоляции. Заземляющие средства для изделия с двойной изоляцией не предусмотрены, и НЕ должны добавляться в устройство. Обслуживание устройства с двойной изоляцией требует особой осторожности и знаний системы и должно выполняться только квалифицированным обслуживающим персоналом. Заменяемые детали для устройства с двойной изоляцией должны быть идентичны оригинальным деталям. Изделие с двойной

изоляция маркируется словами “Double Insulation” или “Double Insulated” (“Двойная изоляция”). Устройство также может быть промаркировано символом, показанным ниже.



Инструкции по распаковке и подготовке

После распаковки высоконапорного моющего устройства, выложите детали и комплектующие. Ознакомьтесь с деталями в упаковке, сравнив их с теми, которые перечислены на коробке и прилагаемых документах. Если требуется сборка, см. прилагаемую инструкцию по сборке.

Элемент для подключения водоснабжения

Установите входящий в комплект фильтр для впуска воды, как показано на рисунке А, затяните его вручную. Никогда НЕ подключайте водоснабжение к устройству без специального фильтра для воды. Подсоедините садовый шланг к разьему фильтра. Входящий в комплект фильтр для воды подходит к стандартным быстроразъемным соединениям для садовых шлангов (Gardena).

Шланг высокого давления

Убедитесь в отсутствии видимых повреждений на высоконапорном шланге и подсоедините его к гнездовому разьему на устройстве, как показано на рисунке В. Подключите другой конец к высоконапорному пистолету, как показано на рисунке С. Одно или оба этих соединения могут быть уже подключены на заводе. Если оба конца выглядят одинаково, шланг можно использовать в любом направлении. Убедитесь, что шланг зашелкнулся и надежно закрепился.

Пистолет высокого давления

Подключив пистолет к шлангу, проверьте спусковой крючок и предохранитель. Откройте клапан подачи воды в устройство и убедитесь в отсутствии утечек. Вода не должна вытекать из штуцера впуска воды, устройства, шланга высокого давления или пистолета высокого давления. Убедитесь, что предохранитель/защита от неразумно действующего оператора работает, как показано на рисунке D. При включенном предохранителе, не должно быть возможности нажать на курок. Отключите предохранитель и нажмите на спусковой курок, пока из пистолета-распылителя не начнет поступать постоянный и равномерный поток воды.

Пистолет-распылитель, струйная трубка и аксессуары

Высоконапорное моеющее устройство предназначено для использования с комплектующими, установленными на пистолете-распылителе. Все аксессуары устанавливаются с помощью штыкового разъема. Вставьте байонетный наконечник в гнездовой байонетный разъем, поверните его против часовой стрелки и отпустите. Убедитесь, что аксессуар надежно закреплен. См. рисунок Е. Все аксессуары, за исключением аксессуаров, использующих точечные сопла (например, турбонасадки), могут быть прикреплены непосредственно к пистолету. Из соображений безопасности аксессуары, в которых используются точечные сопла (например, турбонасадки), разрешается использовать только с входящим в комплект струйными трубками, см. рисунок F. Это связано с правилами техники безопасности, предписывающими минимальное расстояние между рукояткой и опасными струями воды. В стандартную комплектацию входит одна или несколько из представленных на рисунке сопел.

Тестирование и запуск

Подключите кабель питания к соответствующей электрической розетке. Насколько это возможно, AVA рекомендует использовать удлинитель напорного шланга (не входит в комплект), а не удлинитель шнура питания. Если используется удлинитель, он должен быть рассчитан на использование на открытом воздухе, а сечение кабеля должно быть не менее 1,5 мм² на кабеле длиной до 10 м, и не менее 2 мм² на кабелях длиной от 10 м до 20 м. Никогда НЕ используйте кабель, длина которого превышает 20 метров. Убедитесь, что включен предохранитель на спусковом курке. Переверните выключатель электропитания на устройстве в положение "1", см. рисунок G. На устройстве нанесены международные символы "0" для выключения и "1" для включения. Устройство должно издать короткий звуковой сигнал двигателя и быстро остановиться. Направьте пистолет-распылитель в безопасном направлении, отключите предохранитель и нажмите на спусковой курок. После этого аппарат запустится, и в пистолете-распылителе может произойти ощутимая отдача/движение. Каждый раз когда Вы отпускаете курок на пистолете-распылителе, устройство должно быстро остановиться.

Ознакомьтесь с различными напорными соплами и струями воды, которые они подают. Взаимосвязь между мощностью, рабочей зоной и расстоянием

описана на рисунке H.

Инструкции по эксплуатации

Рассмотрите данное руководство пользователя и предупреждения, руководствуйтесь здравым смыслом. Существуют различные мнения о том, что можно очистить с помощью устройства очистки высокого давления, но исходя из нашего опыта, здравый смысл всегда должен оставаться главнее. На рисунках H и I показаны некоторые возможности и области применения, но мы рекомендуем также посетить наш веб-сайт для получения дополнительной информации. Помните, что сила воздействия воды УМЕНЬШАЕТСЯ, а область контакта УВЕЛИЧИВАЕТСЯ с УВЕЛИЧЕНИЕМ расстояния до поверхности. ПОМНИТЕ! Всегда ставьте на предохранитель пистолет-распылитель, если Вы его кладете, а также следуйте инструкциям хранения после окончания использования. Если двигатель включается на короткие промежутки времени, это абсолютно нормально. Когда Вы нажимаете на курок пистолета-распылителя, насос заправляется самостоятельно, чтобы быть готовым к работе. Выключайте устройство, если оно не используется в течение более 5 минут. НЕ нажимайте на курок несколько раз подряд, так как это может привести к полной остановке системы до нарушения работы устройства. Нажимайте на курок медленно и аккуратно. Уплотнительные кольца внутри штыковых разъемов и удлинительных трубок следует регулярно очищать и смазывать смазочным материалом на основе солидола или силикона. Инструкции по дополнительным аксессуарам, приобретаемым отдельно или бонусным принадлежностям, доступны на веб-сайте AVA: www.avaofnorway.com

Упаковка и хранение

По окончании работы с устройством выполните следующие действия: Включите предохранитель на пистолете-распылителе. Переключите выключатель питания на устройстве с 1 на 0 и отключите подачу воды из водопроводного крана. Выключите предохранитель и нажмите на курок, чтобы снять оставшееся давление. Помните, что до этого момента система все еще находится под давлением, и обязательно направляйте струю воды в безопасном направлении. Отсоедините шланг и отсоедините сопло и/или струйную трубку от пистолета-распылителя. Нажмите на спусковой курок еще раз. Из штуцера впуска воды и пистолета-распылителя может выходить некоторое количество воды. Завершите процедуру включением предохранителя на пистолете-распылителе и отсоедините штекер

электропитания.

Храните аппарат и вспомогательные принадлежности к нему в помещении, в котором не будет риска замерзания устройства. Если это вызывает затруднения, следуйте инструкциям по защите от замерзания на веб-сайте AVA: www.avaofnorgway.com

Желаем удачи с новым высоконапорным моющим устройством. Мы надеемся, что оно будет приносить Вам удовольствие долгие годы, и Вам понравится быстро и качественно очищать поверхности. В любом случае, Вы приняли правильное решение, покупая продукцию AVA.

Общие рекомендации

- Во-первых, лучший совет, который мы можем дать, это посетите www.avaofnorgway.com, чтобы узнать больше о Вашем устройстве, а также о техниках очистки, дополнительных деталях и т.д.
- Очищайте снизу вверх. Это поможет Вам увидеть, где поверхность уже очищена, и убедиться в том, что Вы не смываете чистящие средства до того, как поверхность была вымыта. В конце прополощите поверхность в направлении сверху вниз. Данная рекомендация относится практически ко всем поверхностям, которые Вы бы хотели очистить.
- Не храните устройство вблизи обогревателей или других источников тепла, так как это может привести к пересыханию уплотнителей внутри насоса.
- Запомните: В насосе всегда будут присутствовать остатки воды. Вода, которая со временем высыхает, может оставить известь или грязь, которые могут застрять в подвижных частях насоса. Устройство, которое используется регулярно, обычно служит дольше, чем то, которое используется только один раз в год.
- Если устройство не будет использоваться в течение длительного времени, мы рекомендуем следовать инструкциям по длительному хранению, представленным на сайте www.avaofnorgway.com
- Фильтр на штуцере впуска воды следует регулярно чистить. Вставьте ручку или карандаш в самое маленькое отверстие в отсоединенном раземе и вытолкните фильтр. Ополосните его в чистой воде и установите на место.
- Ознакомьтесь со всей документацией в коробке, а также регулярно заходите на сайт www.avaofnorgway.com, если вас интересуют новые изделия или принадлежности для Вашего высоконапорного моющего устройства.

Как избежать повреждения поверхностей

Повреждения очищаемых поверхностей

происходят из-за того, что сила воздействия давления воды превышает прочность поверхности. Может быть повреждена необработанная древесина; может отслоиться краска и т.д. Вы можете регулировать силу воздействия Вашего устройства, контролируя:

- угол наклона струи воды на очищаемую поверхность

- расстояние между соплом и очищаемой поверхностью

На мягких и чувствительных к повреждениям поверхностях никогда НЕ используйте узкую струю воды под высоким давлением.

Оборудование сторонних производителей

Если Вы хотите использовать оборудование других производителей, имейте в виду следующее:

- Для обеспечения совместимости аксессуаров, они должны быть оснащены тем же штыковым соединением, что и устройство AVA. Сравните аксессуары и никогда НЕ пытайтесь прикрепить оборудование, которое существенно отличается.
- Оборудование низкого давления, такое как водяные щетки и т.д., может использоваться независимо от модели устройства AVA, до тех пор пока штыковый адаптер подключен к струйной трубке.
- Оборудование высокого давления, такое как неподвижные сопла, вращающиеся сопла, очистители террас и т.д. имеют отверстия для сопел, адаптированные к техническим характеристикам устройства. Важно не перепутать аксессуары, изготовленные для других устройств. Общее руководство заключается в сравнении указанной мощности аппарата, для которого предназначена принадлежность, с мощностью аппарата, который вы хотите использовать. Если эти параметры примерно одинаковые, то оборудование, как правило, можно использовать как взаимозаменяемое.
- Если машина пульсирует (быстро включается и выключается во время распыления), это означает, что такой аксессуар для устройства нельзя использовать.

В некоторых пистолетах-распылителях используется то же соединение шланга, что и в AVA. Если пистолет-распылитель подходит к шлангу аппарата AVA, его можно использовать в качестве адаптера для других аксессуаров. Соблюдайте приведенные выше указания! Лучше всегда выбирать оригинальные аксессуары для Вашего устройства AVA.

Устранение неполадок и часто задаваемые вопросы

| | |
|---|---|
| Устройство не включается. | Убедитесь, что устройство находится в положении "OFF". Подключите электрический шнур к заземленной розетке 230 Вольт (не используйте удлинитель). |
| Высоконапорный шланг не подключается / не отключается от пистолета-распылителя. Проблема в распылителе? | "В большинстве случаев проблема оказывается не в распылительном пистолете. Проблема заключается в резиновом рукаве, закрывающем фитинг на конце высоконапорного шланга. Скорее всего, он соскользнул в сторону металлического наконечника. Решение: покачайте, скрутите и/или потяните вниз резиновый рукав, пока весь наконечник не станет виден плюс 1/8"" металлический фитинг, расположенный под наконечником. Теперь попробуйте вставить наконечник шланга в пистолет-распылитель. Он должен ""защелкнуться"" и не выскочит, пока шланг не освободится, если нажать на рукоятку, расположенную на нижней части пистолета-распылителя. Конец рукава можно отрезать острым ножом, если не удастся сдвинуть рукав вниз. Будьте осторожны, чтобы не порезать и не проколоть шланг." |
| Устройство работает, но отсутствует поток воды. | Проверьте источник воды. Прочистите сопло на струйной трубке. (См. инструкции по очистке сопел в разделе "Очистка сопел".) Или снимите струйную трубку и попробуйте распылить воду без нее из распылительного пистолета. Это укажет на то, в чем проблема - в струйной трубке или распылительном пистолете. |
| Почему в местах соединения высоконапорного шланга с пистолетом-распылительным просачивается вода? | Убедитесь, что на конце металлического наконечника высоконапорного шланга есть уплотнительное кольцо. Если оно отсутствует, то соединение между шлангом и распылительным пистолетом будет протекать. |
| Я не могу отсоединить струйную трубку от пистолета-распылителя. Что мне делать? | Струйная трубка крепится и снимается с распылительного пистолета аналогичным образом. Вставьте быстросъемный конец трубки в пистолет-распылитель. Сожмите пистолет-распылитель и трубку вместе (примерно на 1/8") и поверните ее по часовой стрелке. Трубка зафиксируется на месте. Снимите трубку, выполнив эту процедуру в обратном порядке. Сожмите пистолет-распылитель и трубку и поверните против часовой стрелки. Таким образом, Вы ее вытащите. Или держите распылительный пистолет и трубку в вертикальном положении с концом сопла к земле. Надавите на весь узел прямо вниз, чтобы ослабить соединение, а затем повторите процедуру отсоединения. Вы также можете распылить мыльную воду или смазочный материал в месте соединения трубки с распылительным пистолетом. Не забудьте ослабить/затянуть фиксирующую муфту на трубку между операциями! |
| Устройство включается на 2 секунды и выключается, и потом не включается. В моем устройстве есть какая-то неисправность? | Нет, похоже, что Ваше устройство работает нормально. После подключения воды, правильной сборки компонентов и включения электропитания, устройство включится на 1 - 2 секунды для заправки насоса. Он автоматически выключается и ждет нажатия пускового курка пистолета-распылителя. При нажатии на курок вода будет течь через насос. Датчик воды в насосе "чувствует" подачу воды и автоматически включает устройство. Или выключите устройство, удерживая нажатым пусковой курок пистолета-распылителя, чтобы обеспечить постоянный поток воды. Удерживая пусковой курок распылительного пистолета нажатым, одновременно включите устройство. |

